

12FOS and 22FOS Series

Multi-Cartridge Filter Housings



- Designed for industrial and commercial filtration needs
- Heavy-duty 304L or 316L stainless steel construction for maximum durability and corrosion resistance
- V-band clamp or swing bolt closures for quick and easy cartridge change outs and secure sealing
- Holds 30" or 40" cartridge lengths to accommodate a wide range of flow rates
- Accepts double open-ended (DOE) style cartridges (222 and 226 style adapters are optional)
- Knife edge seals eliminate bypass on DOE cartridges
- Top spring seals allow for cartridge length variations
- Flange inlet and outlet connections allow for easy piping
- Equipped with heavy-duty stainless steel mounting legs

Applications

Water	Desalination
Chemicals	Food & Beverage
Electronics	Oil / Gas
Power	Inks / Paints / Coatings
Coolants	Pulp & Paper

Specifications & Operating Parameters

Maximum Operating Pressure

150 psig (10.3 bar) @ 300°F (149°C)

Inlet and Outlet Connections

Inlet /Outlet: 3" (12FOS) and 4" (22FOS) RF Flanges

Drain Ports: 1/2" FNPT

Vent Ports: 1/4" FNPT (12FOS), 1/2" FNPT (22FOS)

Optional: RF flanges, Sanitary ferrules, MNPT, FNPT, BSP and Grooved fittings.

Materials of Construction

Head and Shell: 304L or 316L Stainless Steel

Connections: 304L or 316L Stainless Steel

Closure: Clamp: 304L Stainless Steel

Swing Bolts: Zinc Plated Steel

Vent and Drain Plugs: 304L or 316L Stainless Steel

Mounting Legs: 304L Stainless Steel

Gaskets

Buna N (FDA Grade)

Optional: EPR, Silicone, Viton or Teflon Encapsulated Silicone

Finish

Poly-coat on exterior surfaces

Optional: Electro-polish, Glass bead or Passivate

Cartridge Type

DOE style cartridges (maximum 2 3/4" diameter for 12FOS and 2 5/8" diameter for 22FOS series)

Optional: 222 and 226 adapters. For 2 3/4" cartridge 22FOS series holds twenty-one cartridges... order as 21FOS housing.

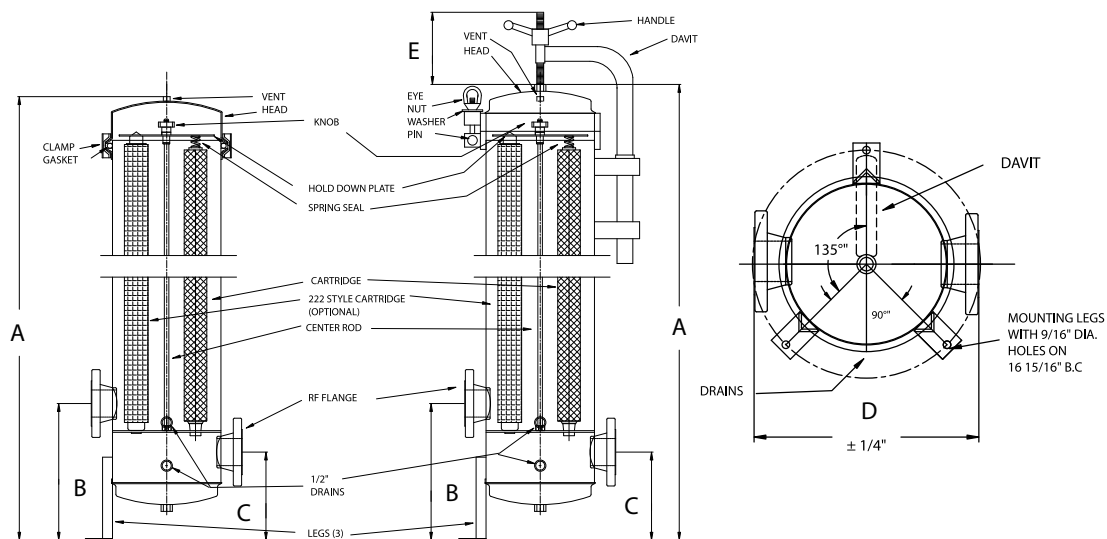
Custom Options

- Gauge Ports or Gauge Ports with Pressure Gauges
See Ordering Guide for complete selection of options

MODEL	QUANTITY (LENGTH) OF CARTRIDGES +	RATED FLOW CAPACITY* GPM(LPM)	INLET / OUTLET (PIPE SIZE)	MAXIMUM DIAMETER CARTRIDGE	CLAMP STYLE	SWING BOLT STYLE				
					A	A	B	C	D	E
12FOS2	12 (20")	168 (636)	3"	2 3/4"	39 1/2" (100.3 cm)	40 1/2" (102.9 cm)	15 3/8" (39.1 cm)	10" (25.4 cm)	16 11/16" (42.5 cm)	8" (20.3 cm)
12FOS3	12 (30")	252 (954)	3"	2 3/4"	49 1/2" (125.7 cm)	50 1/2" (128.3 cm)	15 3/8" (39.1 cm)	10" (25.4 cm)	16 11/16" (42.5 cm)	8" (20.3 cm)
12FOS4	12 (40")	336 (1272)	3"	2 3/4"	59 1/2" (151.1 cm)	60 1/2" (153.7 cm)	15 3/8" (39.1 cm)	10" (25.4 cm)	16 11/16" (42.5 cm)	8" (20.3 cm)
22FOS3**	22 (30")	462 (1749)	4"	2 5/8" **	50 3/16" (127.5 cm)	50 3/16" (127.5 cm)	15 1/4" (38.7 cm)	9 1/2" (24.1 cm)	21" (53.3 cm)	12" (25.4 cm)
22FOS4**	22 (40")	616 (2332)	4"	2 5/8" **	60 3/16" (152.9 cm)	60 3/16" (152.9 cm)	15 1/4" (38.7 cm)	9 1/2" (24.1 cm)	21" (53.3 cm)	12" (25.4 cm)

- + Housings will accept cartridge lengths: 10" = (9 3/4" or 10"), 20" = (19 1/2" or 20"), 30" = (29 1/4" or 30") and 40" = (39" or 40")
- Based upon 7 gpm per 10' length with a 25 micron wound cartridge at 2 PSID clean and viscosity of 1 cps. Flow rates are for guidelines only. Actual flow rates are based on fluid, viscosity, cartridge type, micron ratings and other factors.
- ** When using 222 or 226 connectors, you must change to a 21FOS housing (21 round) for 2 3/4" OD cartridges.

Dimensions



Ordering Guide (Example: 12FOS3SB-316-222-3F-GP-B)

12FOS	3	SB	-	316	-	222	-	3	F	-	GP	-	B
MODEL	LENGTH OF CARTRIDGES	CLOSURE STYLE		MATERIAL		CARTRIDGE CONFIGURATION		CONNECTION SIZE		CONNECTION TYPE		OPTIONS	GASKET
12FOS 22FOS	2 = 2 High 3 = 3 High 4 = 4 High	C = Clamp SB = Swing Bolt		304 = 304L 316 = 316L		Blank = DOE Style Cartridges (Standard) 222 = 222 Fin/Flat Style Cartridges 226 = 226 Fin/Flat Style Cartridges		3 = 3" (Standard for 12FOS) 4 = 4" (Standard for 22FOS) 2 = 2"		F = Flange (Standard) TC = Ferrules GF = Grooved Fittings MNPT = Male NPT* FNPT = Female NPT*		GP = Gauge Ports GPA = Gauge ports with Gauges EP = Electro-Polish GB = Glass Bead P = Passivate	B = Buna N (Standard) E = EPR S = Silicone V = Viton TS = Teflon Encapsulated Silicone

* Available in 2" sizes

Customization

Housings may be customized to meet your precise requirements. Contact Shelco's technical support staff or your distributor for more information.