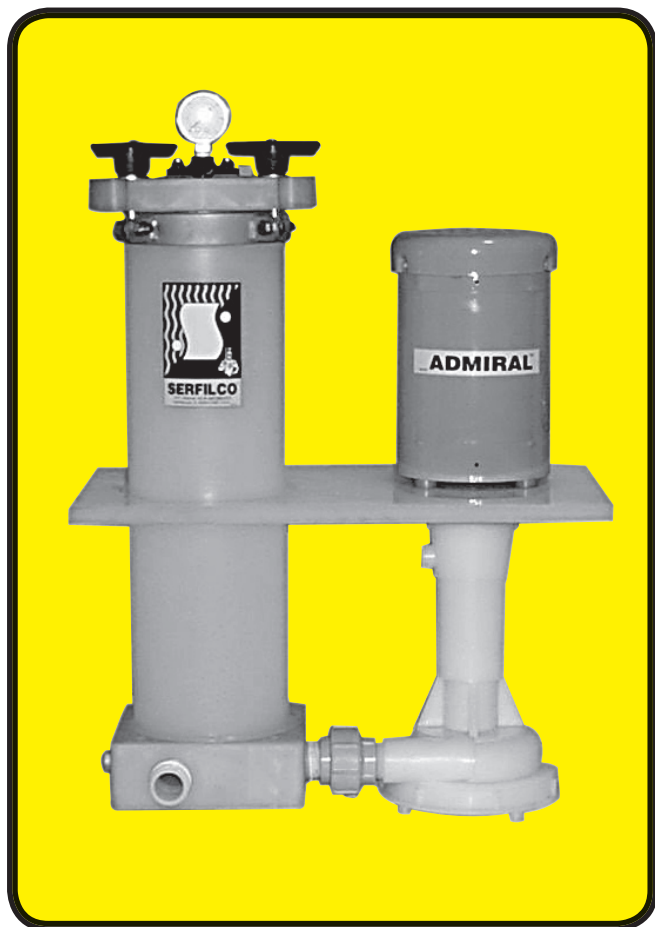




## ADMIRAL® 'EOS' FILTRATION SYSTEMS

*For acid, alkaline or aqueous solutions*



### FEATURES

- Flow rates from 1800 to 4200 GPH
- Non-metallic solution contact  
Polypropylene, CPVC or PVDF with EPDM elastomers. Viton® elastomers optional.
- Runs dry without damage
- High filter surface area  
3 – 20", 30" or 40" cartridges
- Compact package
- Designed for reservoir installation
- Economical OEM replacement

### BENEFITS

- Improve finish goods quality, eliminate scrap and rework
- Reduce chemical consumption by maintaining solution quality
- Minimize downtime and maintenance with dry-run capable Series 'EO' pump and high surface area Series 'S' chamber
- Higher continuous flow and filter area than competitive systems
- Easy media change – no tools required

### SPECIFICATIONS

#### SYSTEM:

ADMIRAL 'EOS' filtration systems consist of a vertical, dry-run capable pump, and a three column filter chamber for 3 – 20", 30" or 40" filter cartridges. The pump includes a suction strainer and is mounted with the chamber in a compact configuration using a common mounting plate. Systems are available in polypropylene, CPVC or PVDF.

#### FILTER:

Industry proven for ease of service and reliability, the Series 'S' filter chamber will accommodate a variety of filter media including string wound, pleated, melt-blown or carbon cartridges. The ruggedly constructed chamber features a low pressure drop for long intervals of continuous high flow. The chamber includes a swing bolt cover closure with 'T'-handles, so no tools are required and cartridge changing is quick and convenient. Also included is a 0 - 30 psi gauge with guard and vent plug. The chamber features totally non-metallic solution contact and stainless steel external hardware.

#### PUMP:

The Series 'EO' pump benefits from proven design features gained through over 60 years of experience in developing chemically resistant vertical pumps.

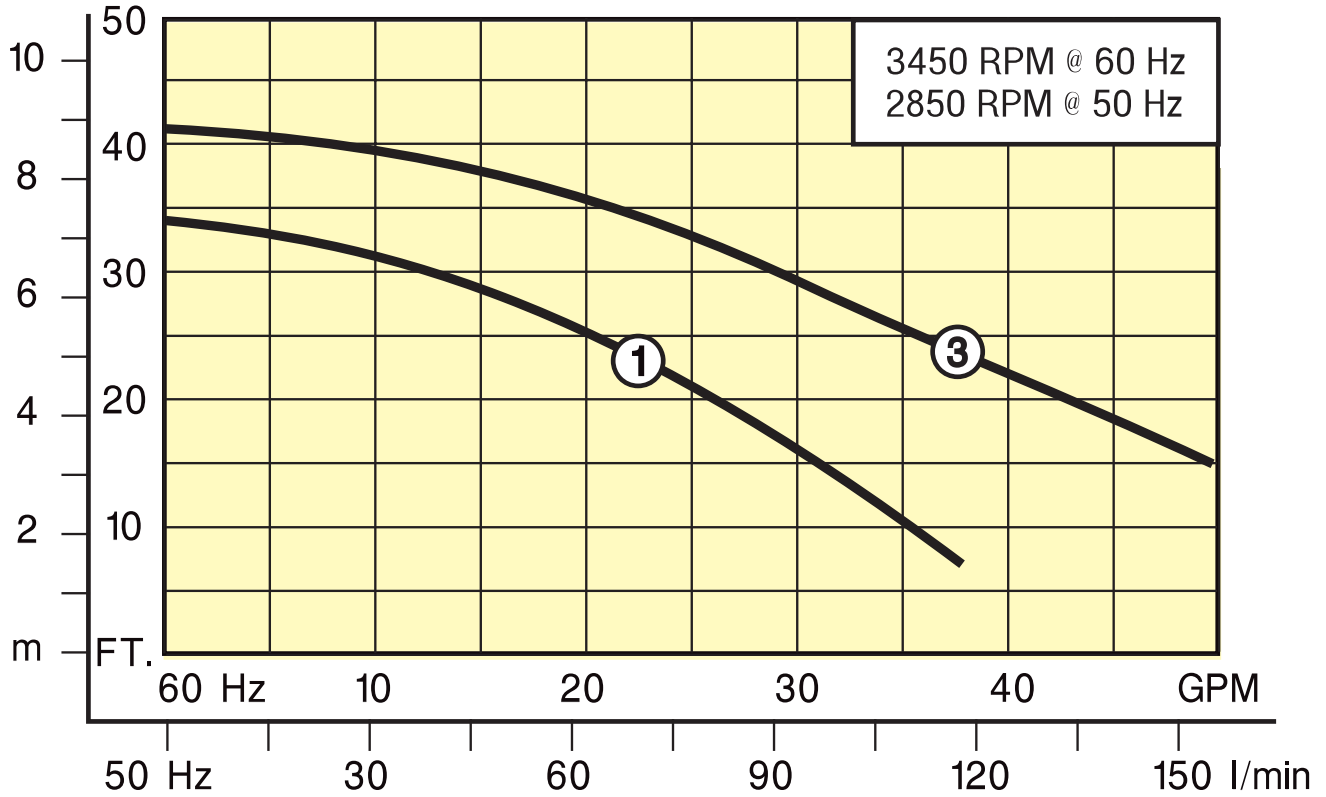
The unique design of this pump includes a fully sleeved stainless steel shaft threaded into a chemical duty motor. This eliminates weak shaft connections, pump bearings, spindles, bushings and liners, resulting in a chemical duty pump which can run dry indefinitely, providing years of trouble-free service.

A labyrinth and a TFE vapor seal between the rotating shaft and the support column protect the motor. The compound impeller prevents liquid from rising in the column, even at maximum TDH, while the fully enclosed bottom impeller provides efficient flow performance at low horsepower.

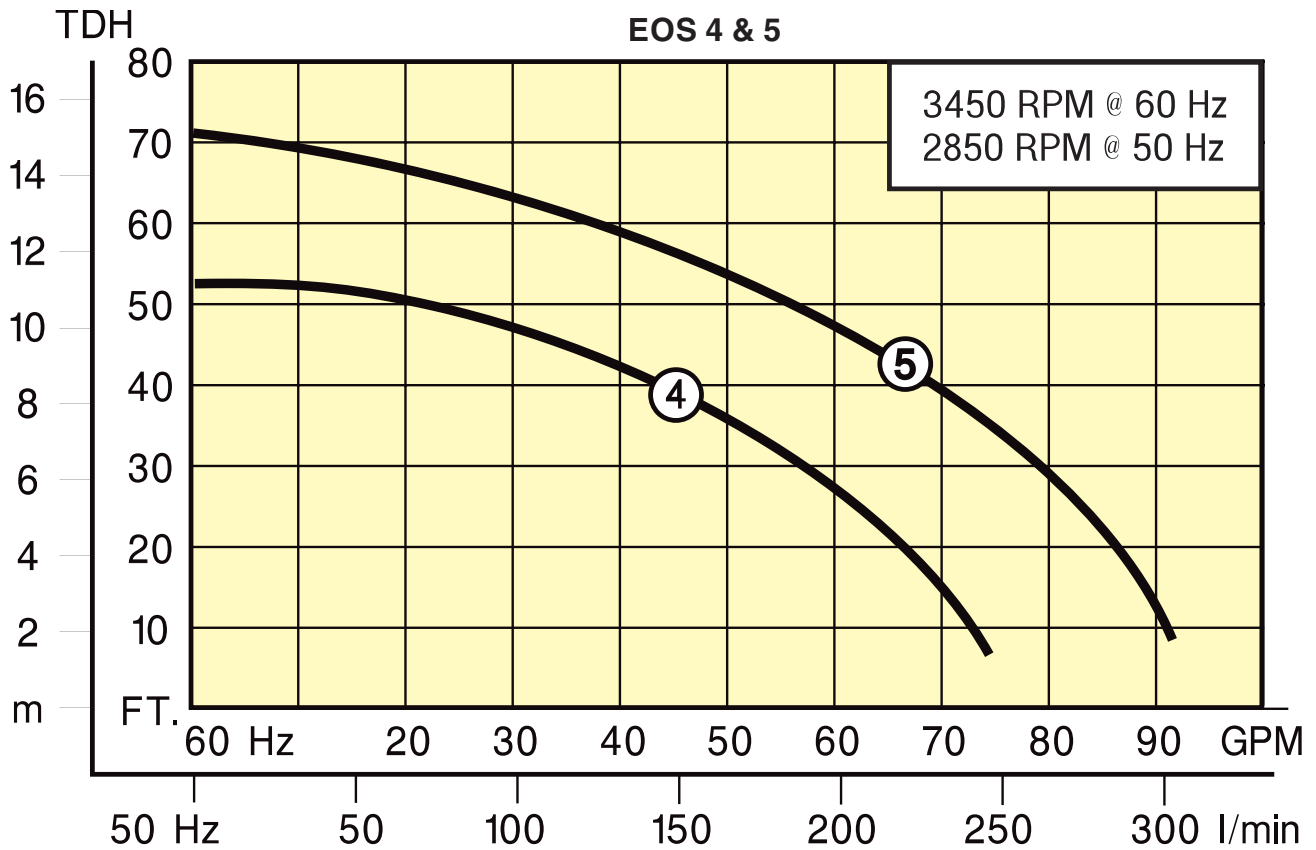
All models are injection molded of polypropylene, CPVC or 100% pure PVDF. The stainless steel shaft is fully sleeved with the same material from which the pump is constructed. Fasteners are stainless steel. The chemical duty motor has a stainless steel nameplate and is dual range 50 and 60 Hz.

# ADMIRAL 'EOS' FILTRATION SYSTEM Flow Curves

### EOS 1 & 3



### EOS 4 & 5



## ADMIRAL 'EOS' FILTRATION SYSTEM Dimensions & Ordering Information

MODEL	DIMENSIONS (Inches)																SUCTION PORT
	A	B	C	D	E	F	G*	H	J	K	L	M	N	P	Q	R	
EOS 1 & 3	11	5½	20	4¼	4½	5 ⅞	25 ⅞	12 ⅞	3 ⅞	9½	13 ⅜	2 ⅝	6 ⅝	8 sq.	1¼	1½	1-1/4" FNPT
EOS 4 & 5	12	7	22	5	5 ⅜	5 ⅜	25 ⅞	12 ⅞	3 ⅞	9½	13 ⅜	2 ⅝	8 ⅞				1-1/2" FNPT

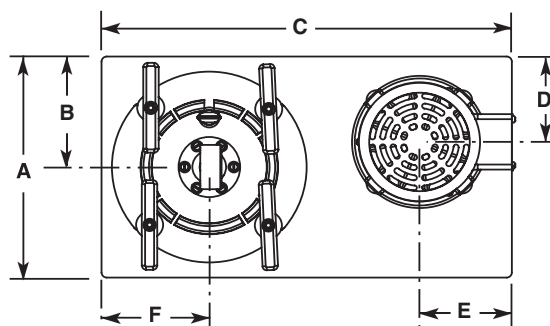
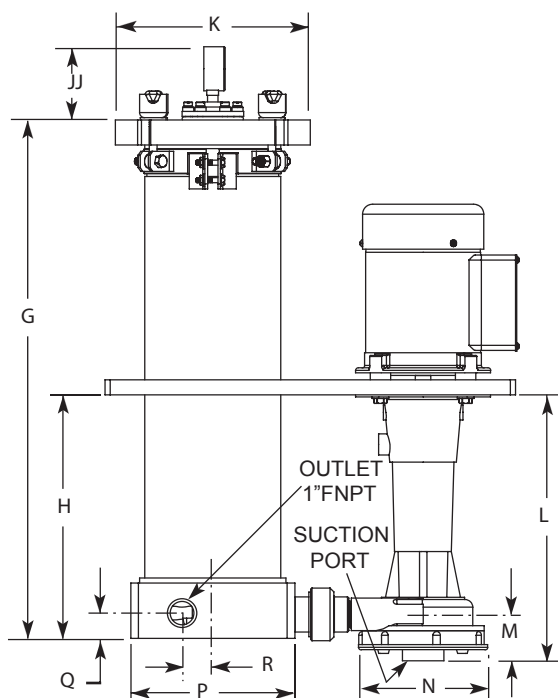
\* 35 ⅞ for 9 cartridge models, 45 ⅞ for 12 cartridge models.

FLOW **	HP	MEDIA	SYSTEM NUMBER			SHIPPING WT. Lbs.
			POLYPROPYLENE	CPVC	PVDF	
<b>6 CARTRIDGE SYSTEMS (21 s. f. *)</b>						
1800	.33	3 – 20" or 6 – 10"	PPS6EO1	CS6EO1	KS6EO1	55
2400	.75		PPS6EO3	CS6EO3	KS6EO3	60
3300	1.0	6 – 10"	PPS6EO4	CS6EO4	KS6EO4	65
4200	1.5		PPS6EO5	CS6EO5	KS6EO5	70
<b>9 CARTRIDGE SYSTEMS (31.5 s. f. *)</b>						
1800	.33	3 – 30" or 9 – 10"	PPS9EO1	CS9EO1	KS9EO1	55
2400	.75		PPS9EO3	CS9EO3	KS9EO3	60
3300	1.0	9 – 10"	PPS9EO4	CS9EO4	KS9EO4	65
4200	1.5		PPS9EO5	CS9EO5	KS9EO5	70
<b>12 CARTRIDGE SYSTEMS (42 s. f. *)</b>						
1800	.33	3 – 40" or 12 – 10"	PPS12EO1	CS12EO1	KS12EO1	55
2400	.75		PPS12EO3	CS12EO3	KS12EO3	60
3300	1.0	12 – 10"	PPS12EO4	CS12EO4	KS12EO4	65
4200	1.5		PPS12EO5	CS12EO5	KS12EO5	70

\* s. f. is square feet of surface area or dirt holding capacity with Valuound or Maxi-Depth (Bulletin M-109) filter cartridges. Order cartridges separately.

\*\* Flow is GPH @ 60 Hz.

OPTIONAL	ADD TO SYSTEM NO.
Viton® elastomers on filter chamber and pump	V



TOP VIEW



# SERFILCO FILTRATION RANGE

**Proudly Made in the USA, SERFILCO Offers the Widest Range of Filtration Systems Anywhere.**



**LABMASTER** – 150 to 600 GPH, 1 x cartridge, mag-drive pump, PP/CPVC/PVDF.



**SPACE-SAVER** – 600 to 2,400 GPH, 3 x cartridge or filter bag, mag-drive pump, optional by-pass carbon PP/CPVC/PVDF.



**SUPER SPACE-SAVER** – 2,400 to 10,000 GPH, 6 or 15 cartridge, filter bag or disk filter, mag-drive or mechanical seal pump PP/CPVC/PVDF.



**MEGAFLO** – 8,000 to 18,000 GPH, 22 or 26 cartridge, mag-drive or mechanical seal pump, optional by-pass carbon PP/CPVC/PVC.



**GUARDIAN** – 12,000 GPH, cartridge, bag or disk filtration, mag-drive or mechanical seal pump, optional slurry tank and by-pass carbon PP/CPVC/PVDF/Steel.



**OPTIFLO** – 36,000 GPH, cartridge or disk filtration, mag-drive or mechanical seal pump, optional slurry and bypass carbon.



**ADMIRAL** – 6,800 GPH, in-tank or out-of-tank cartridge filtration, vertical seal-less pump, optional bypass carbon.



**TITAN** – 2,400 to 12,000 GPH, fully automatic operation, quartz or anthracite permanent media, horizontal sealed pump,