

BFS Series

Multi-Bag Housings – Two through Six Round



- Designed for high flow industrial and commercial filter applications
- 304L or 316L Stainless Steel Construction for maximum durability
- 2BFS housings with Clamp Closure
 - Recognized market leader offering exceptional value
 - Clamp closure offers quick and easy bag change-outs
 - 150 PSI pressure rating up to 250°F
 - 3" Flanged Connections
- 2BFS through 6BFS with Swing Bolt Closure
 - Heavy Duty Swing Bolt Closure and Davit Assembly are ideal for larger flow applications
 - Low profile for easy bag change-outs
 - 150 PSI pressure rating up to 300°F
 - Eye nuts and davit handle are zinc plated to prevent gauling
- Optional 134 epoxy coating for seawater or corrosive applications

Applications

Water	Chemicals
Food & Beverage	Electronics
Oil	Inks / Paints / Coatings
Coolants	Pulp & Paper

Specifications & Operating Parameters

Maximum Operating Pressure

150 psig (10.3 bar) @ 250°F (121°C) – Clamp closure
150 psig (10.3 bar) @ 300°F (149°C) – Swing bolt closure

Connections

Inlet /Outlet:

- 3" RF Flanges (2BFS)
- 4" RF Flanges (3BFS, 4BFS)
- 6" RF Flanges (5BFS and 6BFS)

Optional: RF Flanges or Sanitary Ferrules

Drain Port:

- 1/2" FNPT (2BFS-2C)
- 3/4" FNPT (2BFS-2SB - 6BFS-2SB)

Vent Port: 1/2" FNPT

Gauge Ports: 1/4" FNPT

Materials of Construction

Head / Shell: 304L or 316L Stainless Steel
Eye Nuts and Davit Handle: Zinc Plated Steel
Mounting Legs: 304L Stainless Steel

Gaskets

Buna N

Optional: EPR, Silicone, Teflon Encapsulated Silicone, Viton

Baskets

1/8" perforated Stainless Steel

Optional: Various perforation and mesh sizes

Finish

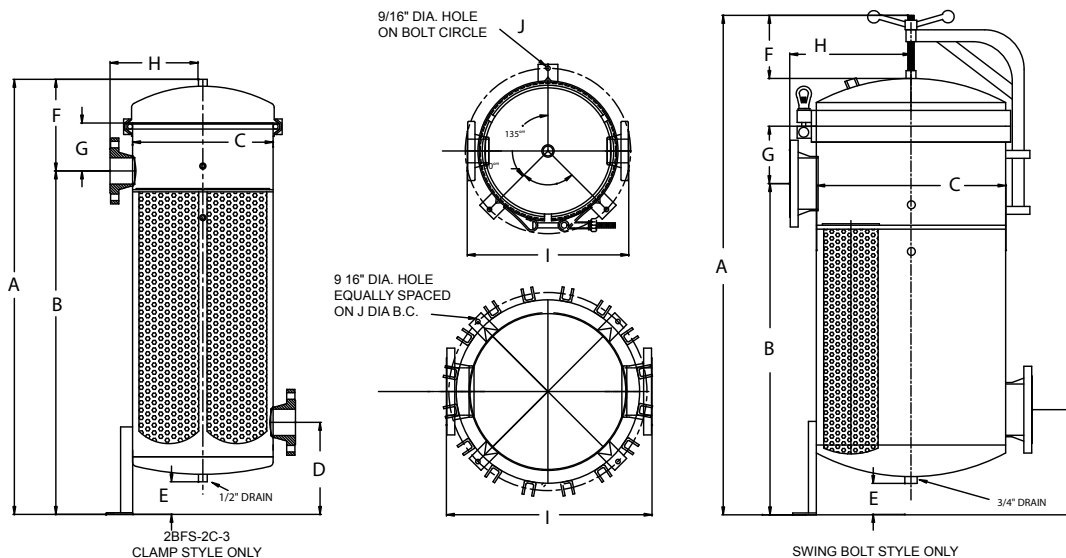
Poly-coat on exterior surfaces

Optional: 134 coating or electro-polish

MODEL	CLOSURE	FLOW RATE* GPM (LPM)	DIMENSIONS									
			A	B	C	D	E	F	G	H	I	J
2BFS-2C	Clamp	350 (1325)	49 9/16" (125.9)	39 1/8" (99.4)	16" (40.6)	10 1/2" (26.7)	4 1/8" (10.5)	11 5/8" (29.5)	13 5/8" (34.6)	10 9/16" (26.8)	20 1/2" (52.1)	20 15/16" (53.2)
2BFS-2SB	Swing Bolt	350 (1325)	49 9/16" (125.9)	39 1/8" (99.4)	16" (40.6)	10 1/2" (26.7)	3 11/16" (9.4)	10" (25.4)	6 7/8" (17.5)	10 9/16" (26.8)	20 1/2" (52.1)	20 15/16" (53.2)
3BFS-2SB	Swing Bolt	525 (1987)	52 7/8" (134.3)	41 1/16" (104.3)	20" (50.8)	10 3/4" (27.2)	3 1/4" (8.3)	10" (25.4)	6 1/4" (15.9)	12 5/16" (31.3)	22 5/8" (57.5)	25" (63.5)
4BFS-2SB	Swing Bolt	700 (2650)	61 1/4" (155.6)	40 1/2" (102.9)	20" (50.8)	11 1/4" (28.6)	3 1/4" (8.3)	10" (25.4)	8" (20.3)	12 7/8" (32.7)	26 1/16" (66.2)	25" (63.5)
5BFS-2SB	Swing Bolt	700 (3312)	63 1/2" (161.3)	42" (106.7)	24" (61.0)	13 3/8" (34.0)	4" (10.2)	10" (25.4)	7 1/4" (18.4)	15 3/8" (39.0)	30" (76.2)	29" (73.7)
6BFS-2SB	Swing Bolt	1050 (3975)	63 1/2" (161.3)	42" (106.7)	24" (61.0)	13 3/8" (34.0)	4" (10.2)	10" (25.4)	7 1/4" (18.4)	15 3/8" (39.0)	30" (76.2)	29" (73.7)

* Flow rates are for guide lines only. Actual flow rates are based upon fluid viscosity, bag type, micron rating and other factors.

Dimensions



Ordering Guide (Example: 2BFS-2SB-3-316B)

MODEL	BAG SIZE	CLOSURE STYLE	FLANGE**	MATERIAL	GASKET
2BFS 3BFS 4BFS 5BFS 6BFS	2	C = Clamp* SB = Swing Bolt	3 = 3" 4 = 4" 6 = 6"	304 = 304L SS 316 = 316L SS 134 = 134 Coating over 304L SS+	B = Buna N (Standard) E = EPDM S = Silicone V = Viton T = Teflon Encapsulated Silicone

* Clamp Closure only available in for 2BFS-2C housing

+ 134 Coating must have swing bolt closure and flanged connections

** Standard flange sizes are 3" for 2BFS, 4" for 3BFS and 4BFS, 6" for 5BFS and 6BFS

Customization

Housings may be customized to meet your precise requirements. Contact Shelco's technical support staff or your distributor for more information.