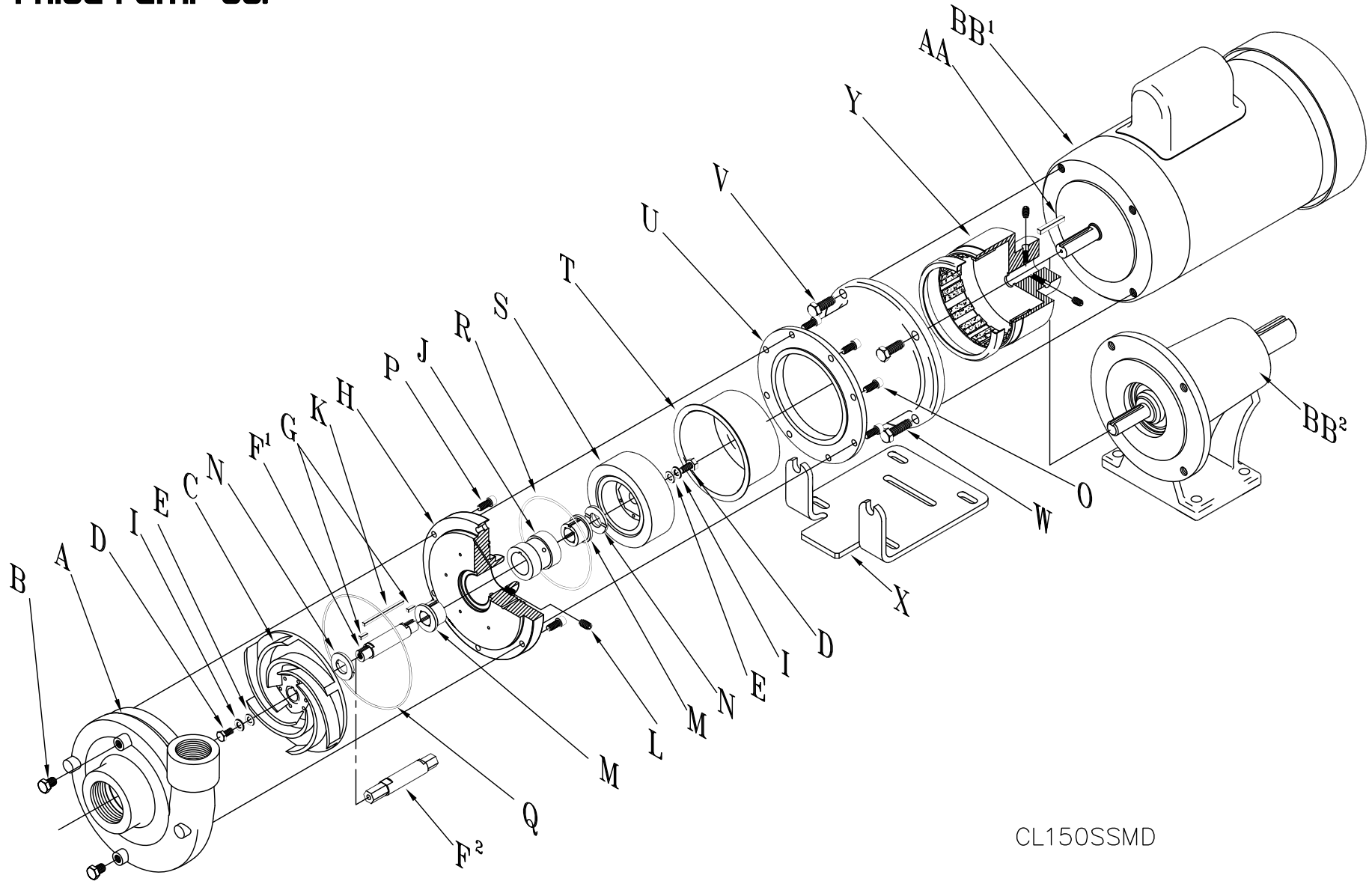


**PRICE® PUMP CO.**CL150SS Mag Drive Parts List

| <b>Key #</b>      | <b>Description</b>                     | <b>Quantity</b> | <b>CL150SS:</b> |
|-------------------|--|-----------------|-----------------|
| A.                | Volute                                 | 1               | 3503-O          |
| B.                | Pipe Plug                              | 2               | 0559            |
| C.                | Impeller, Keyed (0-7.5 HP)             | 1               | 3502MD-5.76     |
|                   | Impeller, Hex (10-15 HP)               | 1               | 3953-5.76       |
| D.                | Lockdown Bolt                          | 2               | 0596            |
| E.                | Lockdown Washer                        | 2               | 2423            |
| F <sup>1</sup> .  | Shaft 316 SS (Std)                     | 1               |                 |
|                   | For carbon/ceramic bushings            |                 | 3695            |
|                   | Shaft Tungsten Coated (Opt)            |                 |                 |
|                   | For silicon carbide bushings           |                 | 3695-30         |
| F <sup>2</sup> .  | Shaft, Hex, 316SS (Std)                |                 | 3941            |
|                   | For carbon/ceramic bushings            |                 |                 |
|                   | Shaft, Hex, Tungsten Coated (Std)      |                 | 3941-30         |
|                   | For silicon carbide bushings           |                 |                 |
| G.                | Shaft Key                              | 2               | 2424            |
|                   | For Keyed Design                       |                 |                 |
| H.                | Separator Plate                        | 1               | 3943            |
| I.                | Vibration Washer                       | 2               | 2344            |
| J.                | Bushing Sleeve                         | 1               | 3697            |
| K.                | Bushing Key                            | 1               | 2464            |
| L.                | Setscrew                               | 2               | 2452            |
| M.                | Thrust Bushing                         | 2               |                 |
|                   | Carbon (std)                           |                 | 3699            |
|                   | Silicon Carbide (Opt)                  |                 | 3630            |
| N.                | Thrust Washer                          | 2               |                 |
|                   | Ceramic (Std)                          |                 | 3700            |
|                   | Silicon Carbide (Opt)                  |                 | 3629            |
| O.                | Drive Housing Bolts                    | 8               | 2466            |
| P.                | Volute Bolts                           | 6               | 51-640-SS       |
| Q.                | Volute O ring (Viton std)              | 1               | 0865            |
| R.                | Magnet Cup O ring (Viton std)          | 1               | 2465            |
| S1.               | Driven Magnet (0-10 HP)                | 1               | 3627            |
| S2.               | Driven Magnet (10-15 HP)               | 1               | 3634            |
| T.                | Magnet Cup                             | 1               | 2454            |
| U.                | Drive Housing                          | 1               | 3626            |
| V.                | Motor Bolts (Top)                      | 2               | 0579            |
| W.                | Motor Bolts (Bottom)                   | 2               | 3083            |
| X.                | Base Plate                             | 1               | 8017            |
| Y.                | Drive Magnet 5/8" Bore (0-7.5 HP)      | 1               | 2471            |
|                   | Drive Magnet 7/8" Bore (0-7.5 HP)      | 1               | 2471-1          |
|                   | Drive Magnet 7/8" Bore, HEX (10-15 HP) | 1               | 2477            |
| AA.               | Motor Shaft Key                        | 1               | 2472            |
| BB <sup>1</sup> . | Electric Motor                         | 1               | Specify P/N     |
| BB <sup>2</sup> . | Power Frame (5/8" Shaft)               | 1               | 5478            |
|                   | Power Frame (7/8" Shaft)               | 1               | 5501            |



PRICE PUMP CO.



CL150SSMD

Price® Pump Co.

21775 Eighth Street East \* Sonoma, CA 95476-0329 \* (707) 938-8441 \* Fax (707) 938-0764