

© 2016 Serfilco Ltd. All Right Reserved. ®

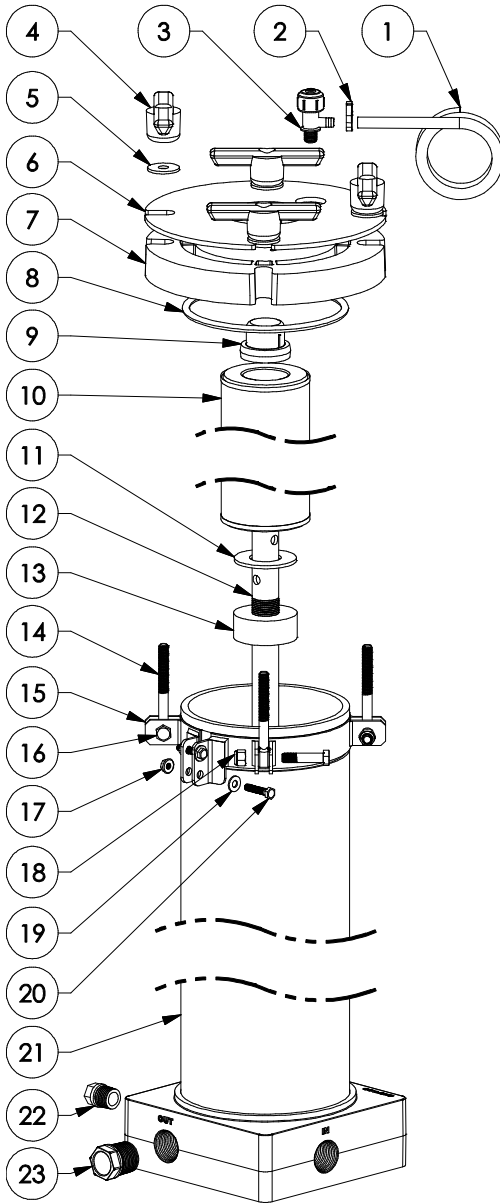
**SERFILCO**

# Coalescing | Chambers

2900 MacArthur Blvd. Northbrook, IL. USA 60062 WWW.SERFILCO.COM (800) 323-5431

**PARTS LIST**  
P-3900\_Q  
11/30/17  
Page 1 of 1

Models	Price Code Numbers
PCV620KS 3/4	78-1367
CV620KS 3/4	78-1372
PPV620K 3/4	78-1369



No.	Description	QTY	CV620KS	
			PVC620KS	PPV620K
1	Hose 8ft	1	22-0913	
2	Hose clamp	1	22-0912	
3	Vent valve, 1/4" PP	1	33-8108-PP	
	'O'-ring FKM	1	88-0870-V	
			88-0870	
4	Tee handle 3/8" PP	4	11-0265	
5	Washer 3/8" SS	4	11-0447	
6	Cover plate SS	1	-	88-0597-1
7	Cover	1	88-0994	88-2785-3
8	'O'-ring FKM	1	22-0360	
			EPDM	
9	Hold down cap CPVC	1	88-0781-1	88-3243
10	Coalescing element k2.5x10	1	Refer to Bulletin M-210	
11	Tube spacer FKM	2	22-0204	
12	Tube guide CPVC	1	33-0091	88-3235
13	Support column assy.	1	88-0567	88-3236
14	Swing bolt 3/8"-16x3-1/2" SS	4	11-0497-1	
15	Swing bolt bracket	1	88-0596	
16	Bolt 3/8"-16x1-5/8" SS	4	11-0444-1	
17	Whiz lock nut 1/4"-20 SS	2	11-0103	
18	Lock nut 3/8"-16 SS	4	11-0519	
19	Washer 1/4" SS	2	11-0121	
20	Bolt 1/4"-20x1-1/4" SS	2	11-0390	
21	Shell/base assy. clear PVC	1	88-1114-C	-
			88-1114	-
	sight glass CPVC		88-1114-3	-
			-	88-3233
22	Plug, 1/2"NPT	1	33-0866	33-0866-PP
	'O'-ring FKM	1	22-0568	
			EPDM	22-0569
23	Plug, 1"NPT	1	33-0212	33-0212-PP
	'O'-ring FKM	1	22-0604	
			EPDM	22-0605
<b>The following items are not shown</b>				
24	Reducer bushing 1"x3/4"	2	33-0184-1	33-0184-1PP
25	'O'-ring FKM	1	22-0604	
			EPDM	
			22-0605	
<b>The following items are for sight glass option (not shown)</b>				
26	Threaded flange 1/2" CPVC	2	33-0839	-
27	Flange gasket	2	22-0517	-
28	Bolt 1/2"-13x1-1/2" SS	8	11-0347	-
29	Nut 1/2"-13 SS	8	11-0255	-
30	Washer 1/2" SS	16	11-0124	-
31	Lock washer 1/2" SS	16	11-0343	-
32	Threaded close nipple 1/2" CPVC	2	33-0197	-
33	Sight glass assy. CPVC	1	88-3285	-

Product Bulletin:	F-303
Operation and Service Guide:	O-0420