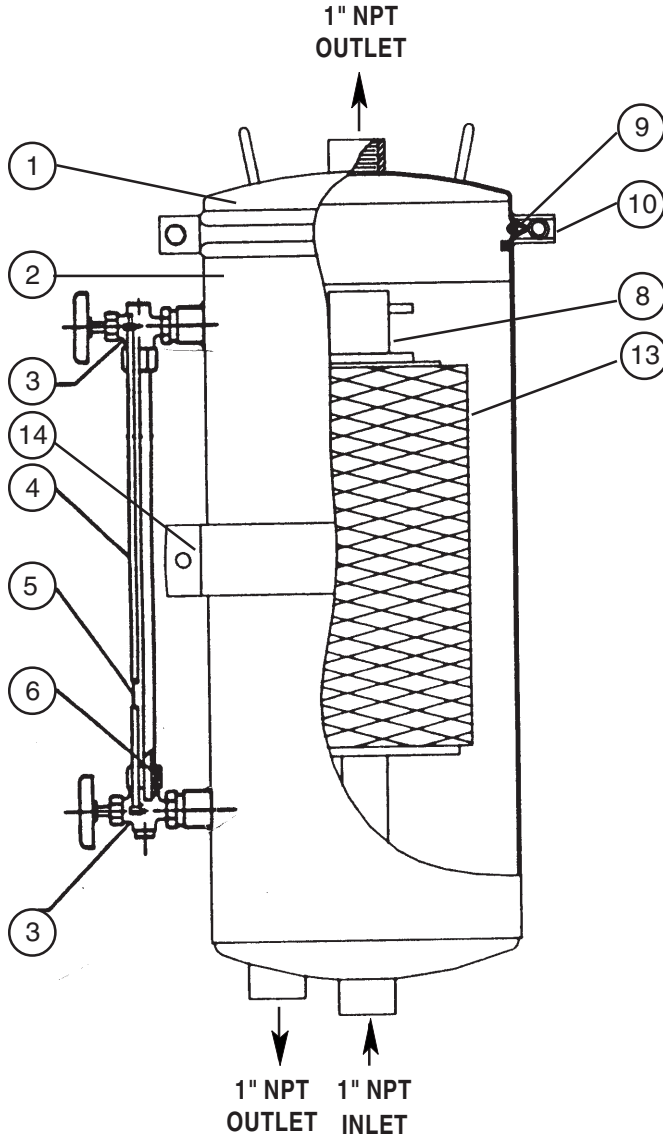


COALESCING CHAMBER

MODEL	PRICE CODE NO.
1F8KG	79-0909-1
2F8KG	79-0909-2

This parts list is for units shipped after 11-1-95. For units shipped prior, refer to Parts List P-3950.

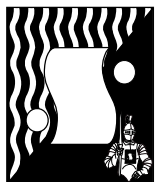


Refer to Bulletin F-303, Operation and Service Guide
O-425 and Master Price List F-800

ITEM	DESCRIPTION	PART NUMBER
1	Cover assembly - steel	88-1263-1
2	Shell assembly - steel 1F8KG 2F8KG	88-1262-1 88-1262-2
3	Gauge fittings - brass 1 set	33-0486
4	Gauge guard rods - brass (2 req'd) 1F8KG 2F8KG	33-1559 33-1559-1
5*	Pyrex glass tube, 5/8" O.D. 1F8KG 2F8KG	99-0748 99-0749
6*	Gauge glass washer - rubber (2 req'd)	33-0608
8	Hold-down knob assembly - steel	88-1283-3
9*	Cover "O"-ring - Buna "N" (standard) - Viton® (optional)	22-0626 22-0626-1
10	Band clamp assembly (includes 2 3/8"-16 UNC bolts)	79-0905
13*	Coalescing element, K4x11 Refer to Bulletin M-210.	
14	Wall bracket assembly, complete - steel	79-0907
15	Leg bracket assembly, complete (opt.) - steel (not shown)	79-0908

* Recommended spare parts.

Registered Trademarks: Viton - DuPont Dow Elastomers.



SERFILCO, LTD.

2900 MacArthur Blvd. 847-559-1777
Northbrook, IL 60062-2005 U.S.A. 800-323-5431
e-mail: sales@serfilco.com FAX: 847-559-1995
www.serfilco.com

DISTRIBUTED BY

WESTERN

13721 Alma Avenue 310-532-0801
Gardena, CA 90249-2513 FAX: 310-532-0866