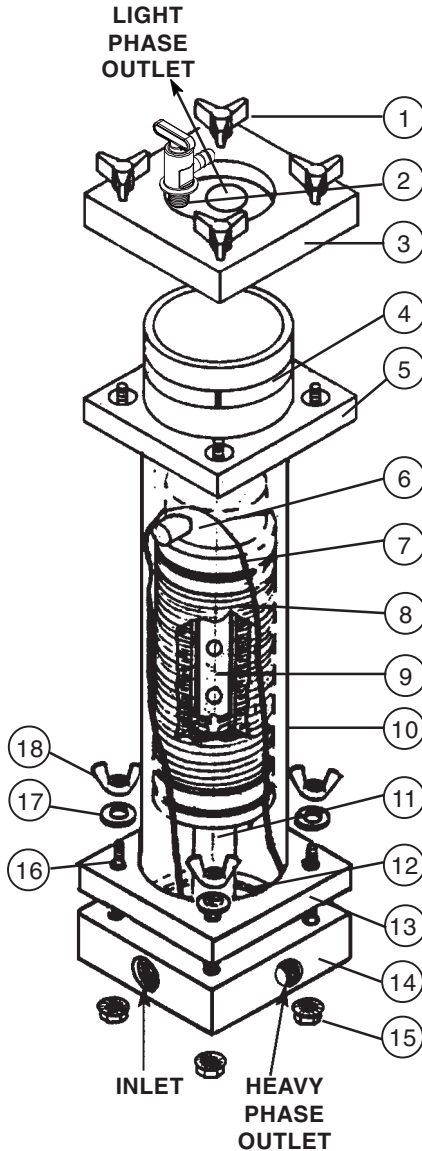




COALESCING CHAMBERS

MODELS	PRICE CODE NUMBERS
PCV420K 3/4	78-1642
CV420K 3/4	78-1362
PPCV420K 3/4	78-1366
PPV420K 3/4	78-1365

Refer to Bulletin F-303,
Operation and Service
Guide O-420 and Master
Price List F-800.



- 1 Recommended spare parts.
- 2 Chambers manufactured before 8/1/94 had 1/2" NPT bases. Order 3/4" NPT with reducer bushings for replacement.

ITEM	DESCRIPTION	CV420K PCV420K	PPV420K PPCV420K
1 ¹	Plastic knob & sleeve assembly 1/4"-20 (4 req'd)	11-0298	
2	Vent valve	33-8108 PP	
2A	Viton "O"-ring (standard) EPDM "O"-ring (optional)	22-0870 V 22-0870	
3	Cover	88-0992 1	88-3241
3A	Cover "O"-ring only - Viton (standard) - EPDM (optional)	22-0328 22-0283	
4	Retaining collar - CPVC (2 req'd)	88-1098	
5	Hold-down bracket w/bolts , upper - CPVC - PP	88-1099 -	- 88-1099 PP
6	Cap - CPVC - polypropylene	88-0781 -	- 88-3243
7 ¹	Tube spacer (2 req'd) - EPDM (optional) - Neoprene (optional) - Viton (standard)	22-0218 55-0140 22-0204	
8 ¹	Coalescing element	Refer to Bulletin M-210-2.	
9	Tube guide - CPVC - polypropylene	33-0091 -	- 88-3235
10	Shell - clear PVC - CPVC - polypropylene	88-0787 1C 88-0787 1 -	- 88-0658 1
11	Support column assembly - CPVC - polypropylene	88-0567 -	- 88-3236
12 ¹	Base gasket (flat) - Viton (standard) - EPDM (optional)	22-0306 22-0275	
13	Hold-down bracket, lower - PVC - PP	88-2739 -	- 88-2739 PP
14 ²	Base, 3/4" NPT ports - CPVC - polypropylene	88-0979 -	- 88-3242
15	Whiz locknut, 1/4"-20 - stainless steel (8 req'd)	11-0103	
16	Threaded rod, 1/4"-20 x 4-1/2" (4 req'd)	77-9947	
17	Flat washer, 1/4" (4 req'd)	11-0121	
18	Wing nut, 1/4"-20 (4 req'd)	11-0101	
19	Reducer bushing, 3/4" x 1/2" NPT (Opt. not shown) - CPVC - polypropylene	33-1131 33-1090	
20	Vent valve hose, 4'	22-0913	
20A	Hose clamp	22-0912	

F.O.B. Northbrook, Illinois

Terms: Net 30 Days

Minimum order \$25.00



SERFILCO[®], LTD.

2900 MacArthur Blvd. 847-509-2900
Northbrook, IL 60062-2005 U.S.A. 800-323-5431
e-mail: sales@serfilco.com FAX: 847-559-1995
www.serfilco.com

WESTERN

13721 Alma Avenue 310-532-0801
Gardena, CA 90249-2513 FAX: 310-532-0866