

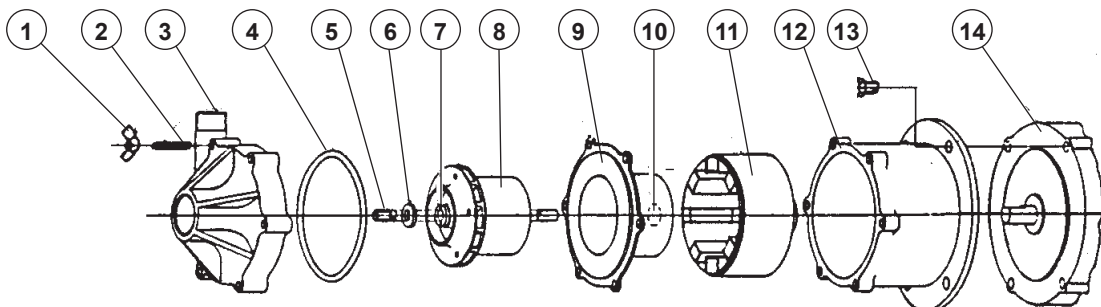


SERIES 'D' MAGNETIC-COUPLED PUMP & MOTOR

PARTS LIST
P-0800_AG
NOV 2011

MODELS: 1½ x 1 MPGR
1½ x 1 MSGR
1½ x 1 MKGC

Refer to Bulletin P-504,
Operation and Service Guide O-190.



IMPELLER DIAMETER vs SPECIFIC GRAVITY

Diameter of the impellers supplied on all Series 'D' pumps are designed for use on water-like liquids. Liquid which has a higher specific gravity can be pumped if:

- #1. The outlet flow is restricted so the impeller magnet stays in synchronization with the drive magnet, or
- #2. The restriction from a filter or other head loss is sufficient to keep the impeller magnet in synchronization, or
- #3. The overall diameter of the impeller is reduced according to the following table.

SPECIFIC GRAVITY

	1.0 to 1.1	1.1 to 1.3	1.3 to 1.5	1.5 to 1.7	1.7 to 1.9	1.9 to 2.0
IMPELLER DIAMETER (inches)						
60 Hz	Std 3-3/4	3-5/8	3-1/2	3-3/8	3-1/4	3-1/8
50 Hz	95.2 mm (3-3/4 in) std.			88.9 mm (3-1/2)		

Add Price Code No. 48-0200 for trimming impeller diameter. Specify impeller part number and diameter.

BOX "A"

**FOR FILTRATION SYSTEMS WITHOUT
FLOW CONTROL VALVE**

3-5/8" diameter impeller is standard
Add Part No. 48-0200

Registered trademarks: Ryton - Phillips Chemical,
Teflon - DuPont
Viton - DuPont Dow Elastomers.

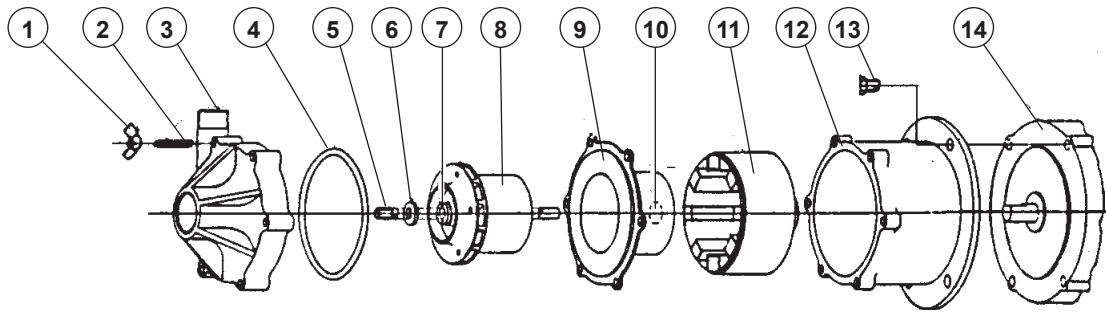
ITEM	DESCRIPTION	MODEL	
		MPGR	MKGC MSGR
		PART NUMBERS	
1	Wing nuts, 1/4"-20 - stainless steel (6 req'd)	11-0101	
2	Housing studs, 1/2"-20 x 2 1/4" lg. - stn. steel (6 req'd)	44-0592	
3	Pump casing, - polypropylene - glass filled - stainless steel - PVDF - carbon filled	44-0586 - 44-1222	- 44-0570 -
4 ¹	"O"- ring - Viton® (standard) - Teflon® - EPDM	44-0596 44-0569 22-0847	
5	Shaft - ceramic (std) - stainless steel	44-0587 -	44-0571
6	Front thrust washer - ceramic (std) - Hastelloy C	44-0588 44-0559	
7 ⁴	Bushing - Ryton® (must be factory installed) - Chemic (MICA/TFE) - Carbon	44-0549 44-0568A 44-0589	
8 ^{1,2}	Impeller magnet assembly, w/Ryton bushing, standard (MPGR) w/carbon bushing (MPGC) w/Chemic bushing (MPGK)	44-0556 44-0590A 44-0597A	- - -
See Box "A"	Impeller magnet assembly, stainless steel w/ Ryton bushing, standard (MSGR) w/carbon bushing (MSGC) w/Chemic bushing (MSGK) Impeller magnet assembly, PVDF w/carbon bushing, standard (MKGC) w/Chemic bushing (MKGK)	- - - 44-1223 44-1223A	44-0574 44-0573 44-0575A - -

¹ Recommended Spare Parts. Include Model No. when ordering parts.

² For pumps built after 4/92 which have a molded-in Item 10. Check impeller for free fit /running over thrust washer boss. The inside diameter of the counter bore in the rear of the impeller should be .750 in (19mm).

³ Not required for parts manufactured after 4/92.

⁴ Replacement Ryton and Chemic bushings must be field or factory installed in impeller and then reamed to .375".



ITEM	DESCRIPTION	MODEL	
		MPGR MKGC	MSGR
		PART NUMBERS	
9 ¹	Impeller magnet liner, w/ thrust washer - Ryton - glass filled - stainless steel - PVDF - carbon filled	44-0599 - 44-1221	- 44-0577 -
10 ³	Rear thrust washer, porcelain	44-0567	-
11	Drive magnet assy.	44-0508	
12	Motor connecting bracket	44-0595	
13	Motor screws (4 req'd)	11-0371	
14	Motor & cord 3/4 HP TEFC 115/230/1/50-60 208-230-460/3/50-60 1 HP EXP 115/230/1/50-60 230-460/3/50-60	44-0583-1 44-0583C 44-0593 44-0593C	
15	Wet end assembly (Includes Items #1, 2, 3, 4, 5, 6, 8, 9)	MPGR MPGC MPGK MSGR MSGC MSGK MKGC MKGK	- - - 44-7453 44-7454 44-7455 - -
16	Pump only (Complete without motor) - MPGR - MKGC -MSGR - For Chemic bushing add '-K' to Price Code No. - For carbon bushing add '-L' to Price Code No.	44-0582 44-6111 -	- - 44-0580

- ¹ Recommended Spare Parts. Include Model No. when ordering parts.
- ² For pumps built after 4/92 which have a molded-in Item 10. Check impeller for free fit /running over thrust washer boss. The inside diameter of the counter bore in the rear of the impeller should be .750 in (19mm).
- ³ Not required for parts manufactured after 4/92.
- ⁴ Replacement Ryton and Chemic bushings must be field or factory installed in impeller and then reamed to .375".



SERFILCO®

SERFILCO, Ltd. (800) 323-5431
2900 MacArthur Blvd. (847) 509-2900
Northbrook, IL. 60062-2005 Fax: (847) 559-1141
U.S.A. sales@serfilco.com
www.serfilco.com