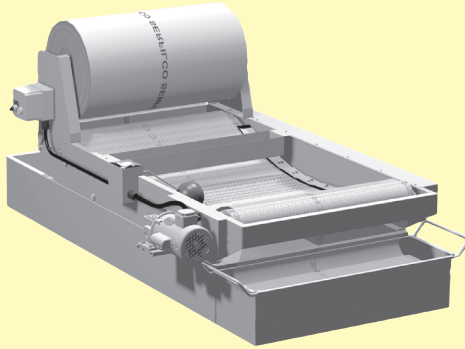


MODEL DF-1.5



MODEL DF-11

## AUTOMATIC DISPOSABLE FABRIC FILTRATION SYSTEMS FOR:

**PHOSPHATING / PARTS WASHERS  
MACHINE TOOL COOLANTS  
INDUSTRIAL WASTE WATER  
PROCESS OR COOLING WATER  
WATER WALL SPRAY BOOTHS  
TREATED PLATING WASTE**

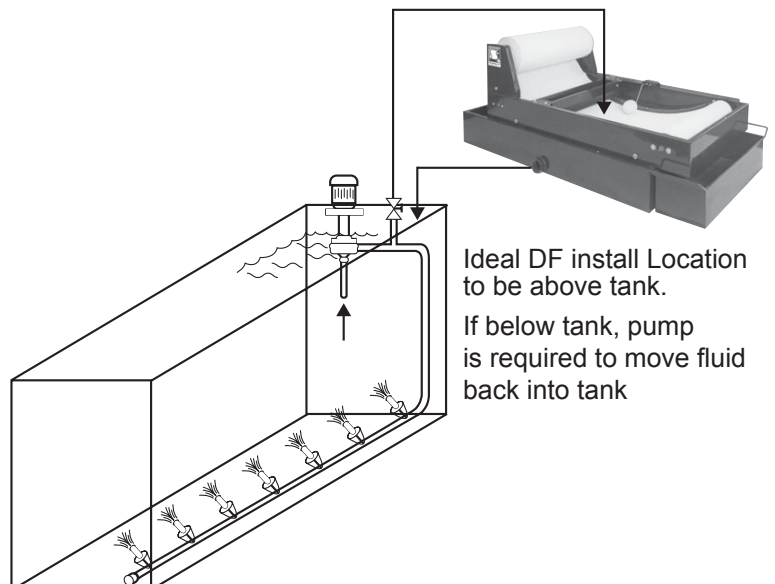
- **Unattended operation**  
Automatically indexing media allows continuous filtration, even with varying input or solids content.
- **Choice of materials**  
Carbon steel or 316 stainless steel
- **Sizes for any application**  
From 1.5 to 113 sq. ft. of filter surface area  
Flow rates to 650 GPM @ 80 micron
- **Low operating cost**

### SYSTEM OPERATION

This system is totally automatic and responds to wide variations in flow rate and solids concentration. Pump the contaminated solution to the diffuser tray which distributes flow across the full width of the filter bed. Particle separation starts immediately via gravity flow through the media to the clean reservoir below the conveyor frame. Filtered solution can then gravity drain to waste or be returned to the process via a pump.

Gravity flow allows gentle accumulation and settling of solids on the filter fabric. The concave configuration of the media bed accommodates the flow rate and maximizes solids loading on the fabric. As the media gradually becomes laden with solids, the solution level will slowly rise until the float switch activates the convey or drive motor. Consumed fabric is advanced to the sludge box as fresh media is simultaneously indexed to the solution flow.

### TYPICAL INSTALLATION



Ideal DF install Location to be above tank.  
If below tank, pump is required to move fluid back into tank



**SPECIFICATIONS**

**SERIES S**

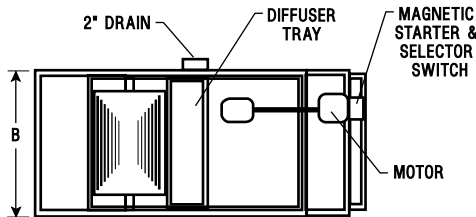
**CARBON STEEL** reservoir, frame, shafts, bearings and sprockets. Models 1.5 to 16.5 feature a 316 stainless steel conveyor belt. Larger models have galvanized belt with optional 304 or 316 stainless steel. Units are coated with corrosion resistant 2-part epoxy paint.

**SERIES SS**

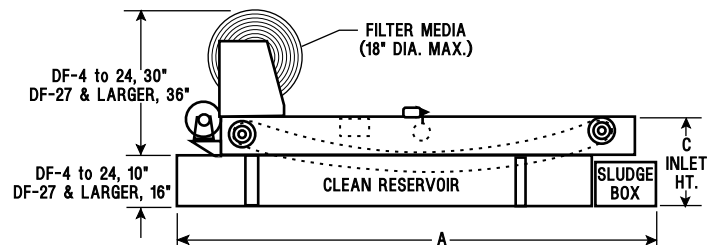
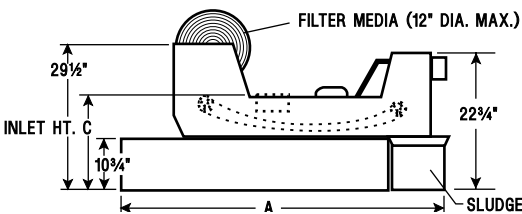
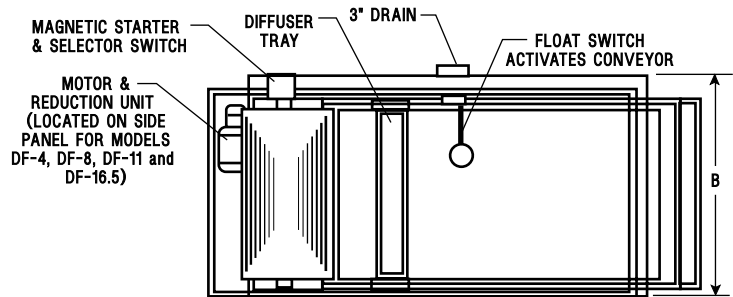
**316 STAINLESS STEEL** reservoir, frame, shafts, bearings, sprockets and conveyor belt. Non-wetted surfaces such as fabric bracket, motor bracket and gear reducer are carbon steel.

All units include: float switch, sludge box (HDPE on Models 1.5 and 4), filtrate reservoir which serves as a support for mounting the conveyor frame, drain, single phase drive motor and starter. Standard edge seals are PVC, 140°F maximum. EPDM and silicon rubber edge seals are optional. Order filter media separately.

**Model DF-1.5**



**Models DF-4 to DF-113**



FILTER MODEL	FILTER AREA SQ. FT.	TANK CAPACITY GAL.	115V/1/60 DRIVE MOTOR HP	OVERALL DIMENSIONS (INCHES)			INLET HEIGHT (INCHES) C	MEDIA WIDTH IN.	APPROX. SHIPPING WEIGHT LBS.	FABRIC MICRON RATING				
				LENGTH A	WIDTH B	HEIGHT				GPM FLOW RATE				
										5	10	25	40	80
DF-1.5	1.5	20	1/15	55	21.5	35.5	17	13	225	2	3	4	6	9
DF-4	4	49	1/3	75	28	40	19	16.5	320	5	6	10	14	23
DF-8	8	90	1/3	71	50	40	19	33	580	10	12	20	28	45
DF-11	11	115	1/3	90	50	40	19	33	760	14	17	28	39	62
DF-16.5	16.5	160	1/3	90	67	40	19	50	1025	20	25	42	58	93
DF-19	19	160	1/3	89	62	40	18	50	1025	24	29	48	67	108
DF-24	24	200	1/3	104	62	40	18	50	1420	30	36	60	84	136
DF-27	27	400	1/2	136	68	52	30	50	2400	34	41	68	95	153
DF-29	29	500	1/2	162	68	52	30	50	3110	36	44	73	102	164
DF-40	40	600	1/2	194	68	52	30	50	3750	50	60	100	140	226
DF-57	57	900	3/4	259	68	52	30	50	5250	71	80	143	200	323
DF-96	96	1370	3/4	380	68	52	30	50	7700	120	144	240	336	544
DF-113	113	1575	1	427	68	52	30	50	8655	142	160	286	400	646



**TO ORDER, use Price Code Number**

FILTER AREA (SQUARE FEET)	SERIES S		SERIES SS	
	MODEL	PRICE CODE NO.	MODEL	PRICE CODE NO.
1.5	DFS-1.5-S	49-1414	DFS-1.5-SS	49-1413A
4	DFS-4-S	49-1000	DFS-4-SS	49-1038A
8	DFS-8-S	49-1003	DFS-8-SS	49-1040A
11	DFS-11-S	49-1006	DFS-11-SS	49-1042A
16.5	DFS-16.5-S	49-1007	DFS-16.5-SS	49-1043A
19	DF-19-S	49-0015	DF-19-SS	49-0048A
24	DF-24-S	49-0018	DF-24-SS	49-0050A
27	DF-27-S	49-0021	DF-27-SS	49-0052A
29	DF-29-S	49-0024	DF-29-SS	49-0054A
40	DF-40-S	49-0027	DF-40-SS	49-0056A
57	DF-57-S	49-0030	DF-57-SS	49-0058A
96	DF-96-S	49-0074	—	—
113	DF-113-S	49-0075	—	—

**OPTIONAL EQUIPMENT**

DESCRIPTION	PRICE CODE NO.
FLOAT ACTIVATED LEVEL CONTROL SWITCH FOR RESERVOIR PUMP NEMA 1. For single phase motors to 1½ HP @ 115V or 2 HP @ 230VAC. Used as a pilot device on three phase magnetic motor starters. Complete with float ball and mounted in reservoir tank for pump-down operation. Separate motor starter is required for 3-phase motor (see below).	49-0162
RESERVOIR PUMP INSTALLATION AND WIRING	49-0173
MOTOR STARTER FOR RESERVOIR PUMP 3 phase with transformer (HAND-OFF-AUTO) 1 phase with transformer (HAND-OFF-AUTO)	O-MS3S O-MS1S
EDGE SEALS  Models 1.5 - 8 Models 11 - 16.5 Models 19 - 113	EPDM 200°F max.  49-0500 A 49-0651 A N/A  SILICON RUBBER 300°F max.  49-0500 B 49-0651 B C/F
CONVEYOR BELTS  For Series DF-19S through DF-113S (Standard belts are galvanized steel.) 304 stainless steel 316 stainless steel	ADD TO MODEL  -304 -316  ADD TO PRICE CODE NO.  B C

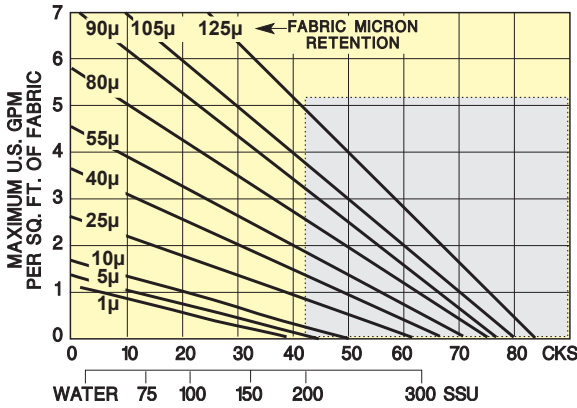
**RESERVOIR PUMPS (not installed)**

FLOW		HORSEPOWER		CAST IRON		POLYPROPYLENE		CPVC	
GPM @ TDH (ft.)		CI	PP & CPVC	MODEL	PRICE CODE NO.	MODEL	PRICE CODE NO.	MODEL	PRICE CODE NO.
5	11	1/8	1/8	SCI 1.5	49-0149-1	EO3/4PP	39-0122 B	EO3/4C	39-0222 B
15	11	1/4	—	SCI 4	49-0150	—	—	—	—
24	20	1/2	1/3	SCI 8	49-0151	EOPP1	39-1121 A	EOC1	39-1221 A
40	24	3/4	3/4	SCI 15	49-0153	EOPP3	39-1123 C	EOC3	39-1223 C
75	20	1	1	SCI 24	49-0156	EOPP4	39-2124 J	EOC4	39-2224 J
115	35	2	2	SCI 29	49-0158 A	EHP2	45-0623	EHC2	45-0123
145	25	3	5	SCI 40	49-0159	EHP5	45-0645	EHC5	45-0145
200	35	5	7 - 1/2	SCI 57	49-0160 A	EFP5	45-2254	EFC5	45-2054

**NOTE:** Motors less than 1 HP are 1 phase, 1 HP and up are 3 phase. 3 phase motors require a separate motor starter.



**FLOW RATE CHART**



**FABRIC SELECTION CHART**

APPLICATION		MICRON									
		125	105	90	80	55	40	25	10	5	1
Paint spray booth - water Zinc & iron phosphating	WATER SOLUTIONS	•	•	•	•	•	•	•			
Caustic washing solutions Waste treat - metal hydroxide		•	•	•	•	•	•	•	•	•	•
Grinding - steel Grinding - cast iron		•	•	•	•	•	•	•	•		
Grinding - aluminum Grinding - carbide				•	•	•	•	•	•	•	
Belt grinding - steel Belt grinding - zinc		•	•	•	•	•	•	•			
Grinding - hard plastics Grinding - soft plastics			•	•	•	•	•				
Grinding - steel roll Grinding - brass			•	•	•	•	•	•	•		
Grinding - bronze Grinding - aluminum			•	•	•	•	•	•	•		
Lapping (Oil 30 - 100) Honing (Oil 20 - 100)		OIL 100-150 SSU				•	•	•	•	•	•
Quenching Grinding - aluminum				•	•	•	•	•	•	•	•
Belt grinding - steel Belt polishing - zinc copper	OIL 150-250 SSU	•	•	•	•	•	•	•	•		
Belt grinding - steel Thread grinding - steel		•	•	•							
Flute - tap die grinding Crush & form grinding		•	•	•							
Machine tool turning/milling	SYNTHETIC			•	•	•	•	•			

**SIZING INSTRUCTIONS:**

1. Select the desired micron retention fabric from the Fabric Selection Chart.
2. Using the Flow Rate Chart, determine the flow per square foot for the selected viscosity.
3. Divide the total flow (GPM) you desire by the number obtained in step 2. The resultant is the size, in square feet of filter area required.

**DISPOSA-FABRIC MEDIA, use Price Code No. to order**

MODEL NO. *	MICRON	-13" WIDTH*			-16 1/2" WIDTH*			-33" WIDTH			-50" WIDTH*			
		YARDS PER ROLL	PRICE CODE NO.	WEIGHT (LBS)	YARDS PER ROLL	PRICE CODE NO.	WEIGHT (LBS)	YARDS PER ROLL	PRICE CODE NO.	WEIGHT (LBS)	YARDS PER ROLL	PRICE CODE NO.	WEIGHT (LBS)	
PE	SF-W125	125	100	P-49-0257 1B	2	500	49-0090 1B	13	500	49-0091 1B	26	500	49-0092 1B	40
	SF-W105	105	100	49-0258 1B	2	500	49-0093 1B	13	500	49-0094 1B	26	500	49-0095 1B	40
	SF-W090	90	100	49-0259 1B	2	500	49-0165 1B	13	500	49-0166 1B	26	500	49-0167 1B	40
RAYON/PE	SF-W080	80	100	49-0260 B	3	500	49-0099 B	15	500	49-0100 B	30	500	49-0101 B	46
	SF-W040	40	100	49-0263 B	3	500	49-0108 B	15	500	49-0109 B	30	500	49-0110 B	46
	SF-W025	25	100	49-0264 B	3	500	49-0111 B	15	500	49-0112 B	30	500	49-0113 B	46
	SF-W010	10	50	49-0266 B	3	200	49-0114 B	12	200	49-0115 B	24	200	49-0116 B	37
	SF-W005	5	50	49-0267 B	3	200	49-0117 B	15	200	49-0118 B	30	200	49-0119 B	46
	SF-W001	1	50	49-0268 B	4	200	49-0120 B	18	200	49-0121 B	36	200	49-0122 B	55

\* Add width to Model No. - Example: SF-W125-13"