

T-DLC Series

PRODUCT DATA SHEET

Temperature Controls

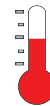
Single Set-Point, Precise Control

Large (.50" high), easy to read LED display

Vapor tight , IP21, front panel prtction

±1% full span, single digit accuracy

Single phase only.



Adjustable temperature range from -58°F(-50°C) to 302°F(150°C)



CE compliant



DLC SERIES, DIGITAL THERMOSTATS						
MODEL NUMBER	VOLTS	MAX. AMPS	TEMP. RANGE	SENSOR LENGTH	REPL. SENSOR P/N	SHIP WGT.
T-DLC16-1	120	16	-58-302°F (-50-150°C)	10' (3m)	DLC-10L	3 (1.4)
T-DLC16-2	240	16	-58-302°F (-50-150°C)	10' (3m)	DLC-10L	3 (1.4)

*12 amp full load max if operating a heater with a thermal protector.

**PROCESS
TECHNOLOGY**

ISO 9001:2015
WITH DESIGN CERTIFIED

Features & Values

- Large (.50" high), easy to read LED display. Provides precise control for consistent plating and etch rates in most aqueous processes.
- Fluoropolymer (FEP) covered 10-foot (3m), thermistor included standard with the control. Provides extended service in corrosive liquids and can be lengthened with ordinary copper hookup wire
- Vapor tight, IP64, front panel protection, plastic enclosure with sealed tactile switches (stand alone)
- Single pole, double throw switch rated at 16-amperes for either 120 or 240 volts. *12 amp full load max if operating a heater with a thermal protector.
- 14°F(-10°C) to 158°F(70°C) ambient temperature range
- ± 1% full span, single digit accuracy
- Single phase only

Specifications

Temperature Range Adjustable temperature range from -58°F(-50°C) to 302°F(150°C).

Options

- Celsius readout (must specify).
- 25-foot (97.6m) and 50-foot (152.4m) thermistors
- Combination controls available for three phase service and larger heater loads
- Direct acting output for cooling applications.
- Adaptor panels for control retrofits
- *V option - 6 inch (152.4mm) x 3 inch (76.2mm) enclosure

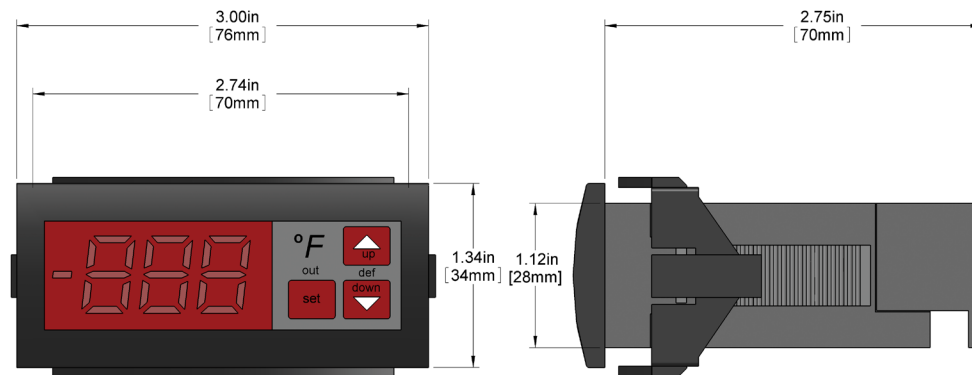
Safety Features

- Non-volatile memory
- Sensor short and break protection
- Security code restricted menu

Certifications

CE compliant

Dimensions



Model Number Breakdown

T-	DLC	16	2	C	-50
Control Type	Series	Amperes	Voltage	Control Options	Standard Options
T-	DLC	16	1 = 120 2 = 240	No designator = Fahrenheit C = Celsius	-L = No Sensor -25 = 25 foot thermistor -50 = 50 foot thermistor -F = FEP sensor sleeve -V = 6x3 inch enclosure

**PROCESS
TECHNOLOGY**