



## SERIES 'G' PLASTIC DISC FILTER CHAMBERS



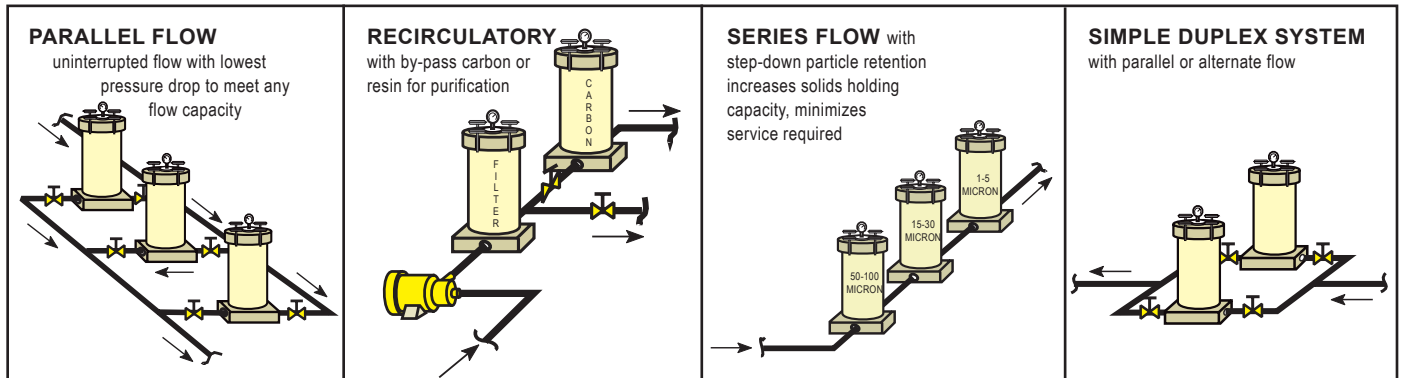
**FOR : WATER TREATMENT / FOOD PROCESSING  
CLEANING / PHOTOGRAPHIC  
ELECTROPLATING / PHARMACEUTICAL  
CHEMICAL / PETROCHEMICAL / BEVERAGE**

- **Non-metallic solution contact**  
PVC, CPVC or polypropylene construction  
EPDM elastomers standard, Viton® optional
- **Heavy duty construction**  
Pressure and temperature capabilities to meet wide variety of applications
- **High flow rates**  
Up to 6000 GPH (22,700 l/h)
- **High capacity —**  
15, 30, 45 ft<sup>2</sup> (1.4, 2.8, 4.2 m<sup>2</sup>) solids area
- **Ease of Service**  
SS Swing bolt cover closure  
Stack assembly for quick media change
- **Choice of filter media:**
  - **Cellulose discs for 5, 10, 20 & 40 micron filtration**  
Use alone or with filter aid and/or powdered carbon
  - **Carbon discs for purification**  
Interchangeable with filter discs

These disc filter chambers are designed for quality filtration of plating and other chemical solutions. The large surface area with I.D. and O.D. edge seals on all filter discs assures optimum performance and clarity of solution being filtered. Disc filters may be used with a precoat of filter aid alone or with a mixture of filter aid and powdered carbon. Carbon discs are also available and may be installed in total or in partial to accomplish the proper degree

of organic removal. Some applications may allow filtration without a media precoat. Chambers include a drip pan to catch run-off liquid when servicing discs.

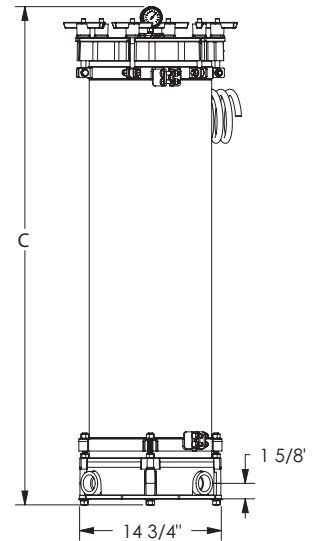
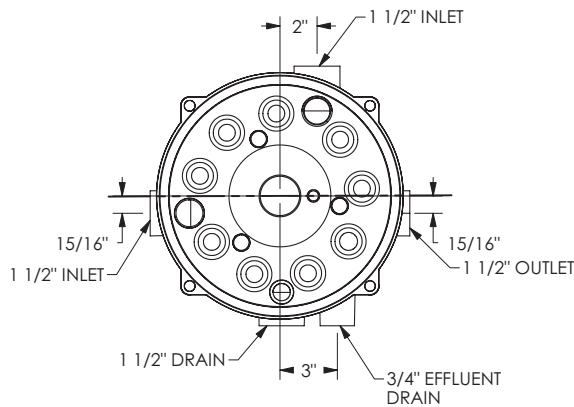
Disc chambers are serviced by lifting the cover and disc stack assembly from the chamber, facilitating a cleaner change-out and less solution loss than with other designs. No messy "floating" of the disc is required when changing the disc media.



**SERIES 'G' DISC FILTER CHAMBERS**

SOLIDS AREA sq. ft.	NO. OF DISCS	DIM. 'C'
15	31	20-15/16
30	65	30-15/16
45	99	40-15/16

MAXIMUM PSI		@ OPERATING TEMP.
PVC	CPVC	
80	80	70°F
75	75	100°F
40	70	120°F
25	55	140°F
—	35	170°F
—	30	200°F



TO ORDER, use Price Code Number								
MATERIALS	NO. OF DISCS	AREA		MODEL NUMBER	MAX FLOW		PRICE CODE NUMBER	SHIP. WT. (lbs.)
		ft <sup>2</sup>	m <sup>2</sup>		GPH	LPH		
PVC/EPDM	31	15	1.4	PL15DFO-1½-G3A	3000	11,355	78-1721 P	77
	65	30	2.8	PL30DFO-1½-G3A	4500	17,033	78-1722 P	92
	99	45	4.1	PL45DFO-1½-G3A	6000	22,710	78-1723 P	107
CPVC/EPDM	31	15	1.4	CL15DFO-1½-G3A	3000	11,355	78-1721 C	77
	65	30	2.8	CL30DFO-1½-G3A	4500	17,033	78-1722 C	92
	99	45	4.1	CL45DFO-1½-G3A	6000	22,710	78-1723 C	107
Polypropylene EPDM	31	15	1.4	PPL15DFO-1½-G3A	3000	11,355	78-1721 PP	77
	65	30	2.8	PPL30DFO-1½-G3A	4500	17,033	78-1722 PP	92
	99	45	4.1	PPL45DFO-1½-G3A	6000	22,710	78-1723 PP	107

For Viton® elastomers change L to V in Model Number add -V to Price Code Number

FILTER DISCS FOR SERIES 'G' CHAMBERS (ordered separately) packaged in quantities of 100		
DISC MODEL NUMBER	MICRON RATING	PRICE CODE NUMBER
CE 5 x 10	5	78-1612
CE 10 x 10	10	78-1613
CE 20 x 10	20	78-1614
CE 40 x 10	40	78-1615
C x 10 CARBON	10	78-1616

F.O.B. Northbrook, Illinois

Specifications and prices subject to change without notice.

Registered trademarks:  
Hypalon, Viton - DuPont Dow Elastomers



**SERFILCO**

2900 MacArthur Blvd. (800) 323-5431  
Northbrook, IL. 60062-2005 U.S.A. (847) 509-2900  
email: sales@serfilco.com Fax: (847) 559-1141  
www.serfilco.com

DISTRIBUTED BY