



© 2022 Serfilco Ltd. All Right Reserved.

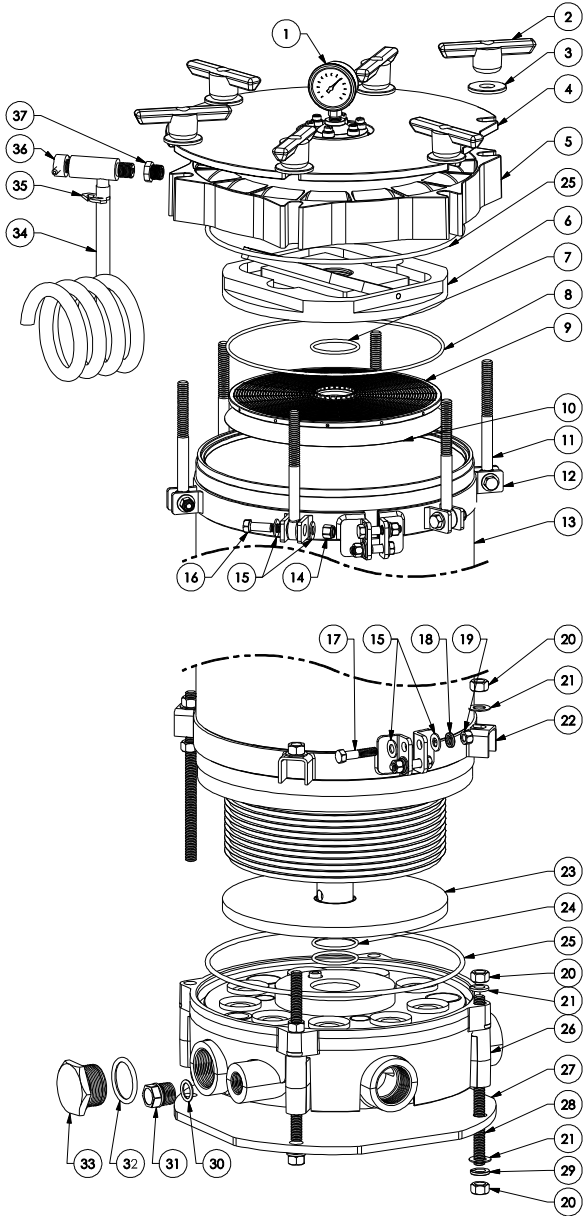
SERFILCO

Series 'G' | Disc Chamber

2900 MacArthur Blvd. Northbrook, IL. USA 60062 WWW.SERFILCO.COM (800) 323-5431

PARTS LIST
P-5465_C
01/13/2022
Page 1 of 1

SIZE	PVC MODELS	PRICE CODE	CPVC MODELS	PRICE CODE	PP MODELS	PRICE CODE
15	PL15DFO-1-1/2-G3A	78-1721-P	CL15DFO-1-1/2-G3A	78-1721-C	PPL15DFO-1-1/2-G3A	78-1721-PP
30	PL30DFO-1-1/2-G3A	78-1722-P	CL30DFO-1-1/2-G3A	78-1722-C	PPL30DFO-1-1/2-G3A	78-1722-PP
45	PL45DFO-1-1/2-G3A	78-1723-P	CL45DFO-1-1/2-G3A	78-1723-C	PPL45DFO-1-1/2-G3A	78-1723-PP



NO.	DESCRIPTION	QTY	CPVC	PVC	PP
1	Gauge Guard	1		99-0732	
2	Handle Tee 1/2-13	6		11-0266	
3	Washer Flat 1/2" SS	6		11-0619	
4	Plate Top SS	1		99-0303-SS	
5	Cover	1	88-1620-C		88-1620-PP
6	Plate Top Disc	1	88-3379-1C		88-3379-1PP
7	O-Ring EPDM	1		22-0747	
				22-0748	
8	O-Ring EPDM	1		22-2272	
			FKM	22-2272-V	
(7-8)	(Old Gasket design for chambers before 2009)	2	EPDM	44-7322-2	
			FKM	44-7322-2V	
9	Disc Filter PP	*		88-3360	
10	Filter Media	*		see bulletin C-303	
11	Bolt Swing 1/2-13x5 3/4" SS	6		11-0474-1	
12	Bracket Swing bolt SS	1		77-0788	
13	Shell	1	15 30 45	77-0050-1C 77-0050-2C 77-0050-3C	77-0050-1P 77-0050-2P 77-0050-3P
					77-0050-1PP 77-0050-2PP 77-0050-3PP
14	Nut Nyloc 3/8-16 SS	6		11-0519	
15	Washer Flat 3/8" SS	20		11-0126	
16	Bolt Hex 3/8-16x1 5/8" SS	6		11-0444-1	
17	Bolt Hex 3/8-16x1 3/4" SS	4		11-0374	
18	Washer Lock 3/8" SS	4		11-0140	
19	Nut Hex 3/8-16 SS	4		11-0105	
20	Nut Hex 1/2-13 SS	12		11-0106	
21	Washer Flat 1/2" SS	12		11-0711	
22	Bracket base SS	1		77-0795-1	
23	Insert Base	1	15 30 45	88-3380 88-3380-1 88-3380-2	88-3380-PP 88-3380-1PP 88-3380-2PP
24	O-Ring EPDM	2		22-0340	
			FKM	22-0802	
25	O-Ring EPDM	2		22-0876	22-0930
			FKM	22-0877	22-0930-V
26	Base Chamber NPT	1		88-1633-C	88-1633-PP
			BSP	88-1634-C	88-1634-PP
			SOC	88-1635-C	88-1635-PP
27	Plate Bottom SS	1		77-0811-SS	
28	Rod Tie 1/2"-13x8" SS	4		77-1210	
29	Washer Lock 1/2" SS	4		11-0343	
30	O-Ring EPDM	1		22-0570	
			FKM	22-0563	
31	Plug 3/4NPT	1		33-0211	33-0211-PP
32	O-Ring EPDM	2		22-2327	
			FKM	22-2327-V	
33	Plug 1 1/2NPT	2		33-0868	33-0868-PP
34	Hose Vent	8'		22-0444	22-0913
35	Clamp Hose	1		22-0911	22-0912
36	Valve Vent 3/8NPT	1		33-0051	33-8108-PP
37	Bushing 3/4NPT x 1/4NPT PP	1		-	33-1268-PP

* Quantity of discs will vary depending on type of filtration media used

Model	15	30	45
Approx. Qty of Discs	32	66	100

Product Bulletin:	C-303
Operation and Service Guide:	O-1035