



SERIES 'GC' | FILTER CHAMBERS

**For: ACID / AQUEOUS / CHEMICAL /
ELECTROPLATING / WASTE TREATMENT**



**SERIES 'GC'
MODEL CL480(4) SC 2 G3A**

FEATURES:

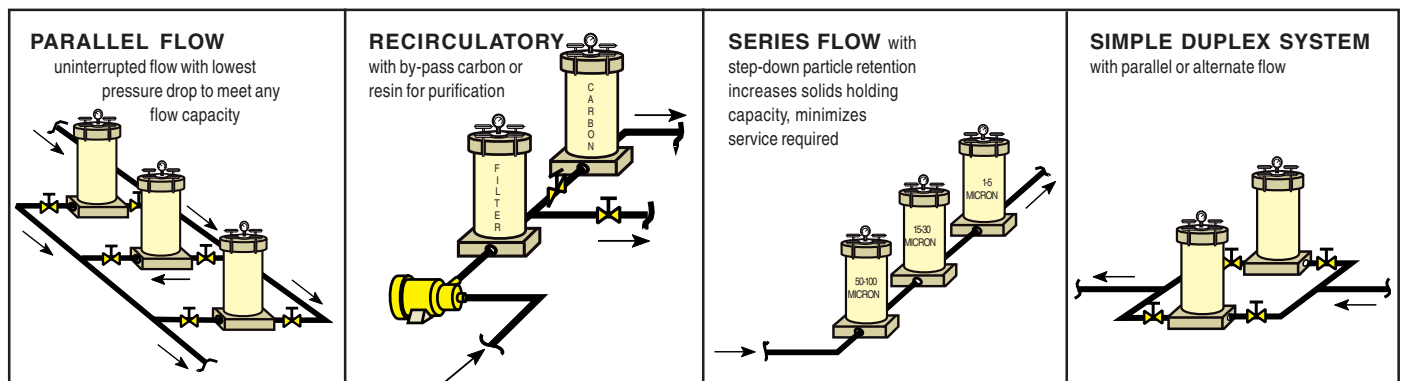
- **Non-metallic solution contact**
PVC or CPVC with Viton® or EPDM elastomers
(See a chemical resistance chart)
- **Heavy duty construction** – shell cemented to base – no leaks
- **High flow rate, low pressure drop**
2" connections
- **High capacity** —
12 - 20", 30", 40" or 50" filter cartridges
- **Easy to operate** – swing bolts with 'T'-handles, 60 psi gauge with guard assembly, air vent valve and drain port

BENEFITS:

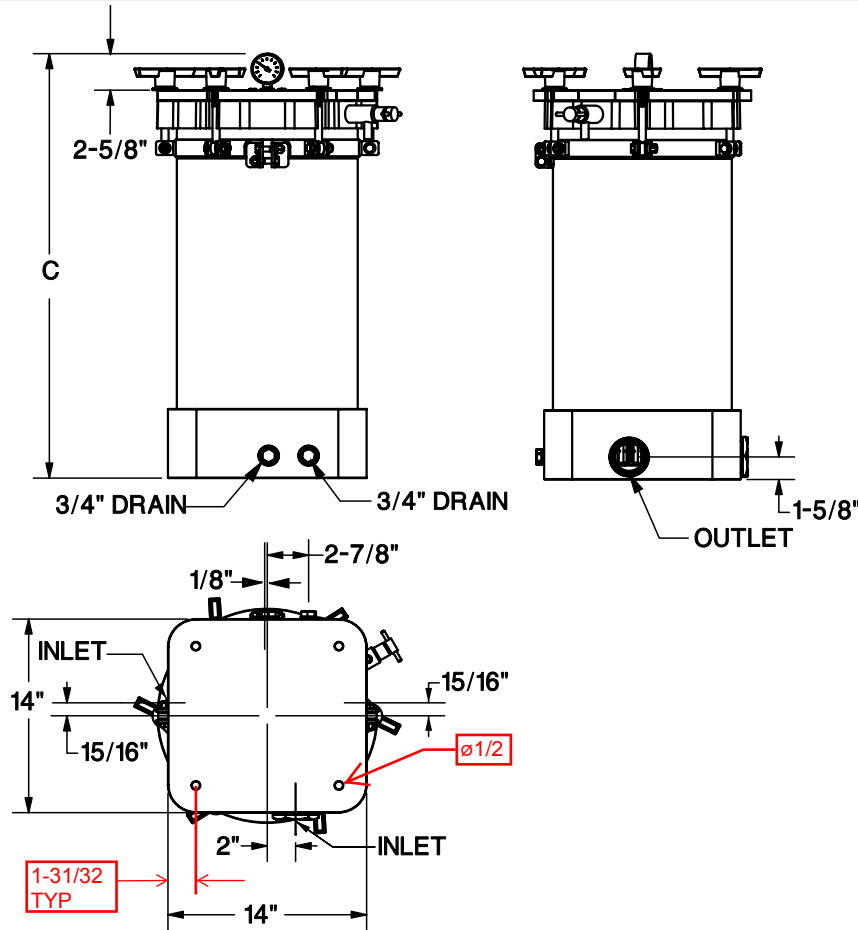
- **Will not leak at base.** Shell and base cemented together
- **Long service life** — will not rust or corrode
- **Easy to install and operate**
- **Improve finished goods quality**
Eliminate scrap and rework

Series 'GC' chambers feature a precision CNC machined base and molded cover. The innovative base design has 2" inlet and outlet ports providing low pressure differential. The base includes 3/4" plugged drain ports for ease of maintenance. The shell is cemented to the machined base to eliminate leakage and warping. The cover includes a vent valve, 0-60 psi pressure gauge with guard assembly, and an FRP cover plate. The cover is secured with swing

bolts and 'T'-handles (no tools are required to change cartridges). The shell is 12" diameter and will hold 12 - 20", 30", 40" or 50"* D.O.E. (double open end) style cartridges. Internals included are CPVC cross posts and polypropylene cap springs to ensure proper cartridge location and eliminate solution by-pass. The base, shell and cover are PVC or CPVC for totally non-metallic solution contact. Elastomers are EPDM or Viton and all external hardware is stainless steel.



SERIES 'GC' FILTER CHAMBERS Specifications, Dimensions and Ordering Information



FLOW RATE	vs.	PRESSURE DIFFERENTIAL
115 GPM	@	5 PSI
145 GPM	@	15 PSI

MAXIMUM PSI		@ OPERATING TEMP.
PVC	CPVC	
80	80	70°F
75	75	100°F
40	70	120°F
25	55	140°F
—	35	170°F
—	30	200°F

TO ORDER, use Price Code Number						
MATERIALS	PORT SIZE NPT	NO. CARTS.	MODEL NUMBER	DIM. 'C'	PRICE CODE NUMBER	SHIP. WT. (lbs.)
PVC/EPDM	2"	12 - 20"	PL240(2)SC 2 G3A	30-11/16"	78-1671 P	115
		12 - 30"	PL360(3)SC 2 G3A	40-11/16"	78-1672 P	125
		12 - 40"	PL480(4)SC 2 G3A	50-11/16"	78-1673 P	135
		12 - 50"	PL600(5)SC 2 G3A	60-11/16"	78-1674 P	145
CPVC/EPDM	2"	12 - 20"	CL240(2)SC 2 G3A	30-11/16"	78-1671 C	115
		12 - 30"	CL360(3)SC 2 G3A	40-11/16"	78-1672 C	125
		12 - 40"	CL480(4)SC 2 G3A	50-11/16"	78-1673 C	135
		12 - 50"	CL600(5)SC 2 G3A	60-11/16"	78-1674 C	145

SLEEVE SET (12) CPVC & POLYPROPYLENE		
LENGTH	SOLIDS AREA sq. ft.	Add PRICE CODE NO.
20	14.4	78-0201
30	21.6	78-0202
40	28.8	78-0203
50	36.0	78-0204

For Viton elastomers:
add -V to Price Code Number and change L to V in Model Number

OPTIONAL	ADD TO MODEL NO.	ADD TO PRICE CODE NO.
222 "O"-ring seat for SOE (Single open end flat top) cartridge. Top seats, springs and cross posts not furnished.	- 2	- 2

F.O.B. Northbrook, Illinois

Specifications subject to change without notice.

Registered trademark: Viton - DuPont Dow Elastomers

DISTRIBUTED BY



SERFILCO®

2900 MacArthur Blvd. 847-509-2900
Northbrook, IL 60062-2005 U.S.A. 800-323-5431
e-mail: sales@serfilco.com FAX: 847-559-1995
www.serfilco.com