

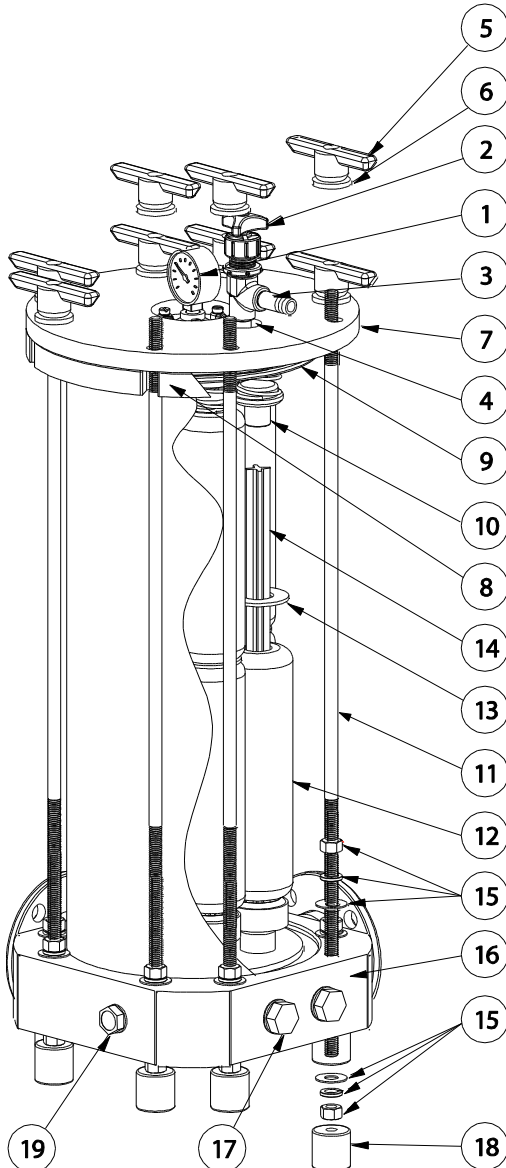
© 2014 Serfilco Ltd. All Right Reserved.

SERFILCO® SERIES GH-HP | PLASTIC FILTER CHAMBER

2900 MacArthur Blvd. Northbrook, IL. USA 60062 WWW.SERFILCO.COM (800) 323-5431

PARTS LIST
P-6150_D
5/7/2014
Page 1 of 1

PVDF				PP	
1-1/2" MODEL NO.	PART NO.	2" MODEL NO.	PART NO.	2" MODEL NO.	PART NO.
KL40(1)1-1/2F-G3-HP	78-0479	KL70-2F-G3-HP	78-0454	PPL70-2F-G3-HP	78-1377
KL80(2)1-1/2F-G3-HP	78-0480	KL140-2F-G3-HP	78-0455	PPL140-2F-G3-HP	78-1378
KL120(3)1-1/2F-G3-HP	78-0481	KL210-2F-G3-HP	78-0456	PPL210-2F-G3-HP	78-1379
KL160(4)1-1/2F-G3-HP	78-0482	KL280-2F-G3-HP	78-0457	PPL280-2F-G3-HP	78-1380



NO	DESCRIPTION	QTY	PVDF		PP
			1-1/2" PORTS 4 COLUMN	2" PORTS 7 COLUMN	2" PORTS 7 COLUMN
1	Gauge guard assembly	1	99-0732		
2	Vent valve	1	EPDM "O"-ring FKM "O"-ring PTFE Seat	33-0051-K 33-0051-KV -	- - 33-1798
3	Hose adapter	1	-	-	33-8068
4	Short nipple	1	-	-	33-1270-PP
5	Tee handle	4-8	PP	11-0265	11-0266
6	Flat washer	4-8	SS	11-0447	11-0619
7	Cover support plate	1	SS	77-1248-1SS ^B	88-1422-1SS ^C
8	Cover	1		88-1408-1 ^B 88-1391-1 ^C	88-3264-1 ^C
9	O-ring	1	EPDM FKM	22-2367 ^A 22-2367-V ^A	22-0609 22-0608 22-2447 22-2447-V
10	Spring Assembly	4-7		77-0916-1 77-0915 77-0301-2 77-1241	77-0844
11	Tie rods	4-8	10" 20" 30" 40"	SS 77-0420-3 77-0405-2 77-0404-2 77-0424-2	77-0404-1 77-0403-2 77-0402-2 77-0401-2
12	Filter cartridge			See Bulletin M-109	
13	Cartridge tube spacer			EPDM FKM	22-0218 22-0204
14	Cartridge guide	4-7	10" 20" 30" 40"	88-1618-1 88-1618-2 88-1618-3 88-1618-4	88-3271 77-1233-PP 77-1234-PP 77-1235-PP
15	Hex nut	8-16	SS	11-0105	11-0106
	Lock washer	8-16	SS	11-0140	11-0343
	Flat washer	8-16	SS	11-0126	11-0124
16	Shell & base	1	10" 20" 30" 40"	88-1415 88-1416 88-1417 88-1418	88-2904 88-2905 88-2906 88-2907 88-3333 88-3334 88-3335 88-3336
17	Plug	1-2	1" NPT	33-0212-K	33-0212-PP
18	Foot	4-8	PVC	77-1250	77-1250-1
19	Plug	1	3/4" NPT	33-0211-K	33-0211-PP
The following items are not shown					
	Separator plate	1	-	88-2893	88-3269
	Clear vinyl hose	1	1/2"X8'	22-0444	
	Hose clamp	1		22-0911	
	SOE spacer plate	1			88-3631

Product Bulletin:	C-114
Operation and Service Guide:	O-0885

^A Chambers bought before January 1, 1996 use quad-ring Part number 22-0710 (EPDM) or 22-0711 (FKM).

^B Part numbers for cover plate and cover are 77-1248 and 88-1408 for chambers manufactured before 4/98.

^C Part number for cover plate is 88-1422. Part numbers for cover are 88-1391 (PVDF) and 88-3264 (PP), for chambers manufactured before 4/98.