

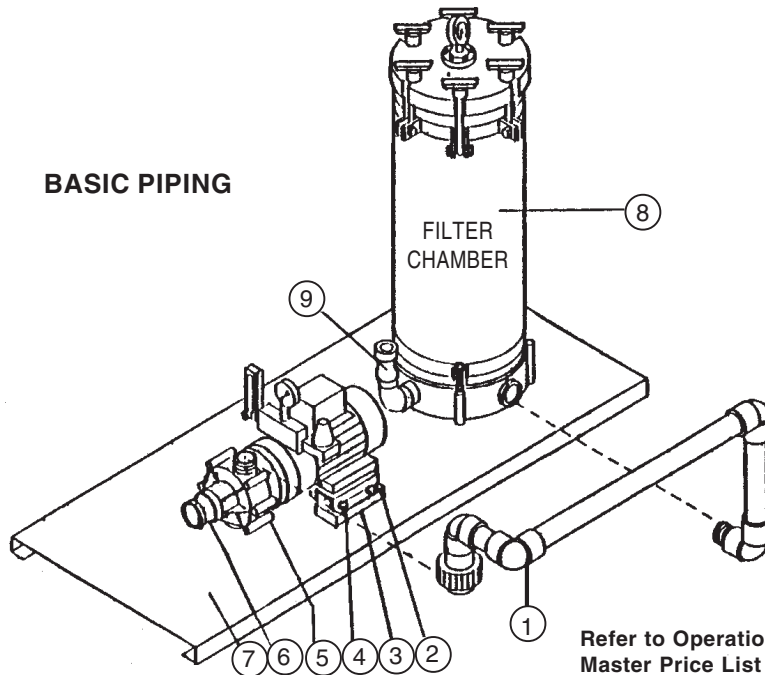


GUARDIAN FILTRATION SYSTEMS

W/MAGNETIC COUPLED PUMP OR w/MECHANICAL SEAL DIRECT DRIVE PUMP

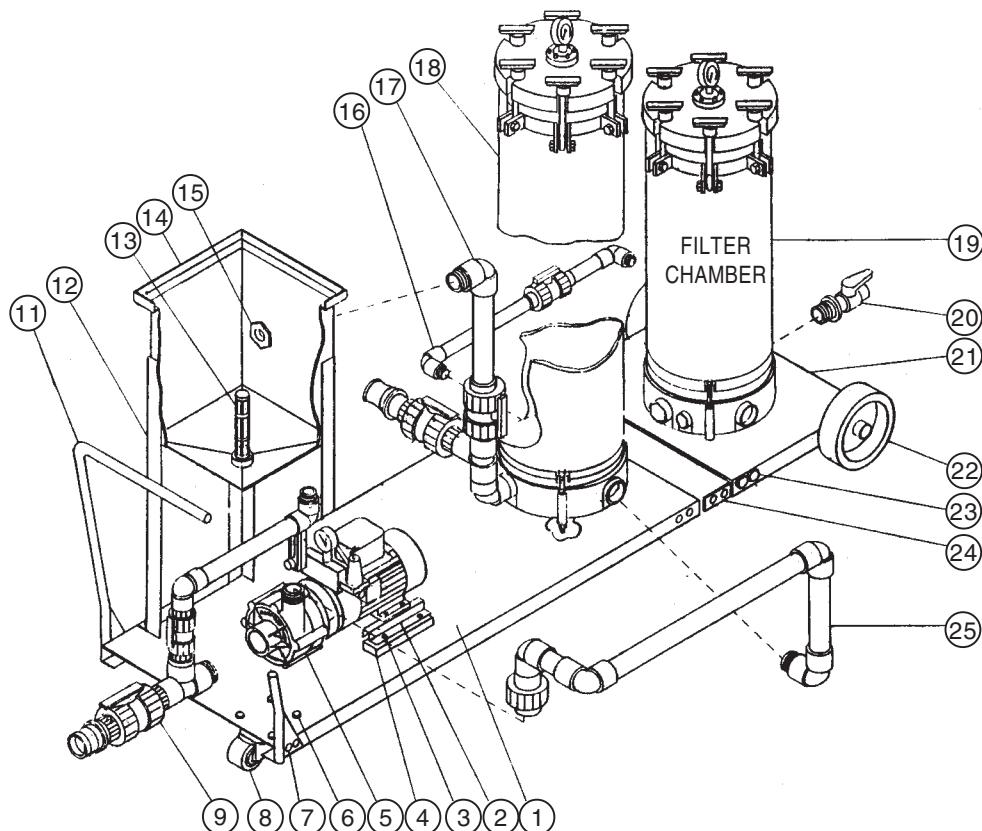
MODELS: BASIC, SV4 AND SV7

PARTS LIST
P-500M
AUG. 2000



ITEM	DESCRIPTION	PART NUMBER
1	Pump discharge to filter inlet piping - CPVC -HE -MPGR -8 MPGR	88-1206 88-1216 88-1449
2	Motor mounting plate bracket, steel 3 - 5 HP 1½ - 2 HP ¾ - 1 HP	66-0600 66-0829 66-0829A
3	Motor spacer, 1½, & 2 HP only (2 req'd)	66-0716
4	Fasteners for 1½ & 2 HP only used w/spacers Hex bolt, 5/16"-18 x1" - stainless steel (8 req'd) Hex nut, 5/16"-18 - stainless steel (8 req'd) Flat washer 5/16" size - stainless steel (8 req'd) Fasteners for 3½ & 7½ HP motor only Hex bolt, 3/8"-16 x 1" - stainless steel (8 req'd) Hex nut, 3/8"-16 - stainless steel (8 req'd) Flat washer, 3/8" size - stainless steel (8 req'd) Fasteners for 1, 1½ & 2 HP motor to base w/o spacers Hex bolt, 3/8"-16 x 1½" - stainless steel (8 req'd) Hex nut, 3/8"-16 - stainless steel (8 req'd) Flat washer, 3/8" size - stainless steel (8 req'd)	11-0112 11-0104 11-0122 11-0375 11-0105 11-0123 11-0444 11-0105 11-0123
5	Series HE horizontal pump & motor See Parts List P-7200 for HE See Parts List P-800 for 1½ x 1 MPGR See Parts List P-825 8 MPGR	
6	Pump suction piping assembly - HE 1½ - 2 HP - HE 3 - 5 HP - MPGR - 8 MPGR	88-1204 33-1499 33-1284 33-1496
7	Base, 50" x 18" x 1½"- vinyl coated steel	77-0726
8	Filter chamber. See Parts List P-5500 or P-6500	
9	Filter outlet piping	88-1205

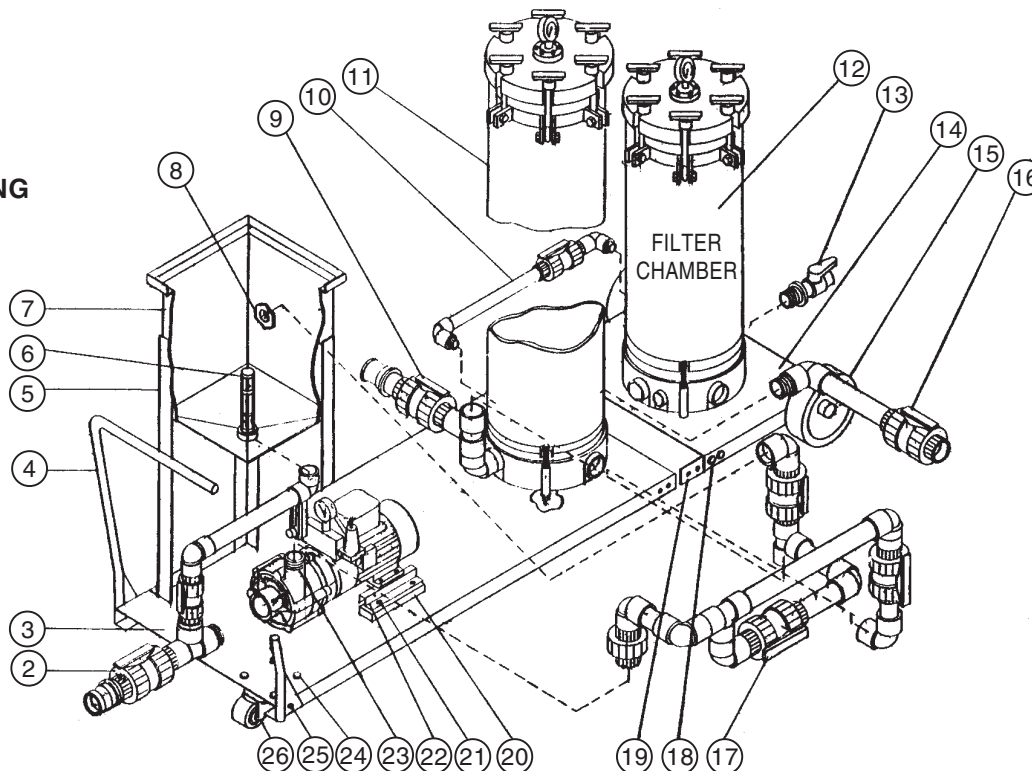
SV4 PIPING



ITEM	DESCRIPTION	PART NO.
1	Base, 50" x 18" x 1½" - vinyl coated steel	77-0726
2	Motor mounting plate bracket - steel 3 - 5 HP 1½ - 2 HP ¾ - 1 HP	66-0600 66-0829 66-0829A
3	Fasteners for 1½ & 2 HP motors only used w/spacers Hex bolt, 5/16"-18 x 1" - stainless steel (8 req'd) Hex nut, 5/16"-18 - stainless steel (8 req'd) Flat washer, 3/8" size - stainless steel (8 req'd) Fasteners for 3, 5 & 7½ HP motor only Hex bolt, 3/8"-16 x 1" - stainless steel (8 req'd) Hex nut, 3/8"-16 - stainless steel Flat washer, 3/8" size - stainless steel (8 req'd) Fasteners for 1, 1½ & 2 HP motor to base Hex bolt, 3/8"-16 x 1½" - stainless steel (8 req'd) Hex nut, 3/8"-16 - stainless steel Flat washer, 3/8" size - stainless steel (8 req'd)	11-0112 11-0104 11-0122 11-0375 11-0105 11-0123 11-0444 11-0105 11-0140
4	Motor spacer, 1½ & 2 HP only	66-0716
5	Series HE, horizontal pump/motor See Parts List P-7200 See Parts List P-800 for MPGR See Parts List P-825 8 MPGR	
6	Hex head bolt, 5/16"-18 x ¾" - stn. steel (8 req'd) Hex nut, 5/16"-18 - stn. steel (8 req'd) Flat washer, 5/16" size - stn. steel (16 req'd)	11-0315 11-0104 11-0122
7	Hex head bolt, 5/16"-18 x 1½" - stn. steel (4 req'd) Hex nut, 5/16"-18 - stn. steel (4 req'd) Flat washer, 5/16" size - stn. steel (4 req'd)	11-0113 11-0104 11-0122
8	Front swivel caster (2 req'd)	77-0482
9	Pipe assembly, pump suction to slurry tank - HE 1½-2 HP - HE 3-5 HP - MPGR - 8 MPGR	88-1208 88-1450 88-1214 88-1447
11	Push handle, vinyl coated steel	77-0757

ITEM	DESCRIPTION	PART NO.
12	Slurry tank frame - PVC for 7 & 11 gallon tank for 18 gallon tank	77-0751 77-0573
13	Filter screen - polypropylene 5" 10"	88-1250 88-1256
14	Slurry tank - polyethylene (PE) 7 gallon 11gallon 18 gallon	88-0675 88-0674 88-0744
15	Bulkhead fitting - polypropylene	33-0692
16	Pipe assembly, chamber to carbon chamber	88-1209
17	Pipe assembly, slurry tank to chamber - HE & 8 MPGR - MPGR	88-1207 88-1215
18	Filter chamber See Parts List P-5500 or P-6500	
19	Carbon chamber See Parts List P-900 or P-5000	
20	Valve, ¾" size - polypropylene	33-0561
21	Extension base 16" x 18" x 1½" - vinyl coated steel	77-0727
22	Fixed rear wheel assembly, 8" rubber wheel (2 req'd) Wheel axle	77-0483 77-0493
23	Hex head bolt, 3/8"-16 x 1½" - stn. steel (4 req'd) Hex head nut, 3/8"-16 - stn. steel (4 req'd) Flat washer, 3/8" size - stn. steel (4 req'd) Lockwasher, 3/8" size - stn. steel (4 req'd)	11-0444 11-0365 11-0123 11-0140
24	Base extension bar (2 req'd)	77-0728
25	Pump discharge to filter piping - HE - MPGR - 8 MPGR	88-1206 88-1216 88-1449
26	Drain piping (not shown)	88-1212

SV7 PIPING



ITEM	DESCRIPTION	PART NO.
2	Pipe assembly, pump suction to slurry tank - HE 1½-2 HP - HE 3-5 HP - MPGR - 8 MPGR	88-1208 88-1450 88-1214 88-1447
3	Base, 50" x 18" x 1½" - vinyl coated steel	77-0726
4	Push handle - vinyl coated steel	77-0757
5	Slurry tank frame, PVC, for 7 & 11 gallon tank Slurry tank frame, PVC, for 18 gallon tank	77-0571 77-0573
6	Filter screen, polypropylene, 5" 10"	88-1250 88-1256
7	Slurry tank, linear polypropylene 7 gallon 11 gallon 18 gallon	88-0675 88-0674 88-0744
8	Bulkhead fitting, 1" polypropylene	33-0692
*9	Pipe assembly, slurry tank to chamber HE & 2 x 1½ MPGR 1½ x 1 MPGR	88-1210 88-1448
10	Pipe ass'y, filter chamber to carbon chamber	88-1209
11	Filter chamber, See Parts List P-5500 or P-6500	
12	Carbon chamber, See Parts Lists P-900 or P-5000	
13	Valve, ¾" size - polypropylene	33-0561
14	Extension base, 16" x 18" x 1½" - vinyl coated steel	77-0727
15	Fixed rear wheel assembly, 8" rubber wheels, (2 req'd) Wheel axle	77-0483 77-0493
16	Drain piping assembly	88-1213
17*	Pump discharge piping to filter chamber - HE - MPGR - 8 MPGR	88-1211 88-1451 88-1452

ITEM	DESCRIPTION	PART NO.
18	Hex bolt, 3/8"-16 x 1½" - stainless steel (4 req'd) Flat washer, 3/8" size (8 req'd) Lockwasher, 3/8" size (4 req'd) Hex nut, 3/8"-16 (4 req'd)	11-0444 11-0123 11-0140 11-0365
19	Base extension bar (2 req'd)	77-0728
20	Motor spacers 1½ & 2 HP only	66-0716
21	Fasteners for 1½ & 2 HP motor only used w/ spacers Hex bolt, 5/16"-18 x 1" - stainless steel (8 req'd) Hex nut, 5/16"-18 - stainless steel (8 req'd) Flat washer, 5/16" size - stainless steel (8 req'd) Fasteners for 3, 5 & 7½ HP motor only Hex bolt, 3/8"-16 x 1" - stainless steel (8 req'd) Hex nut, 3/8"-16 - stainless steel (8 req'd) Flat washer, 3/8" size - stainless steel (8 req'd) Fasteners for 1, 1½ & 2 HP motors to base Hex bolt, 3/8"-16 x 1½" - stainless steel (8 req'd) Hex nut, 3/8"-16 - stainless steel (8 req'd) Flat washer, 3/8" size - stainless steel (8 req'd) Lockwasher, 3/8" size - stainless steel (8 req'd)	11-0112 11-0104 11-0122 11-0375 11-0105 11-0123 11-0444 11-0105 11-0123 11-0140
22	Motor mounting plate bracket - steel 3 to 5 HP up to 1½ HP	66-0600 66-0829
23	Horizontal pump & motor See Parts List P-7200 for HE See Parts List P-800 for MPGR See Parts List P-825 for 8 MPGR	
24	Hex head bolt, 5/16"-18 x 3/4" - stn. steel (8 req'd) Flat washer 5/16" size - stn. steel (16 req'd) Hex nut, 5/16"-18 - stn. steel (8 req'd)	11-0315 11-0122 11-0104
25	Hex head bolt, 5/16"-18 x 1¼" - stn. steel (4 req'd) Flat washer, 5/16" size - stn. steel (4 req'd) Hex nut, 5/16"-18 - stn. steel (4 req'd)	11-0315 11-0122 11-0104
26	Front swivel casters (2 req'd)	77-0482

*Item #9 connects to Item #17 via true union ball valve.

F.O.B. Northbrook, Illinois

Terms: Net 30 Days

Minimum order \$25.00

SERFILCO® LTD.

2900 MacArthur Blvd. 847-509-2900
Northbrook, IL 60062-2005 U.S.A. 800-323-5431
e-mail: sales@serfilco.com FAX: 847-559-1995
www.serfilco.com

WESTERN
310-532-0801
FAX: 310-532-0866