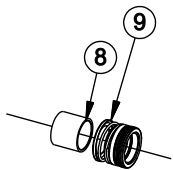
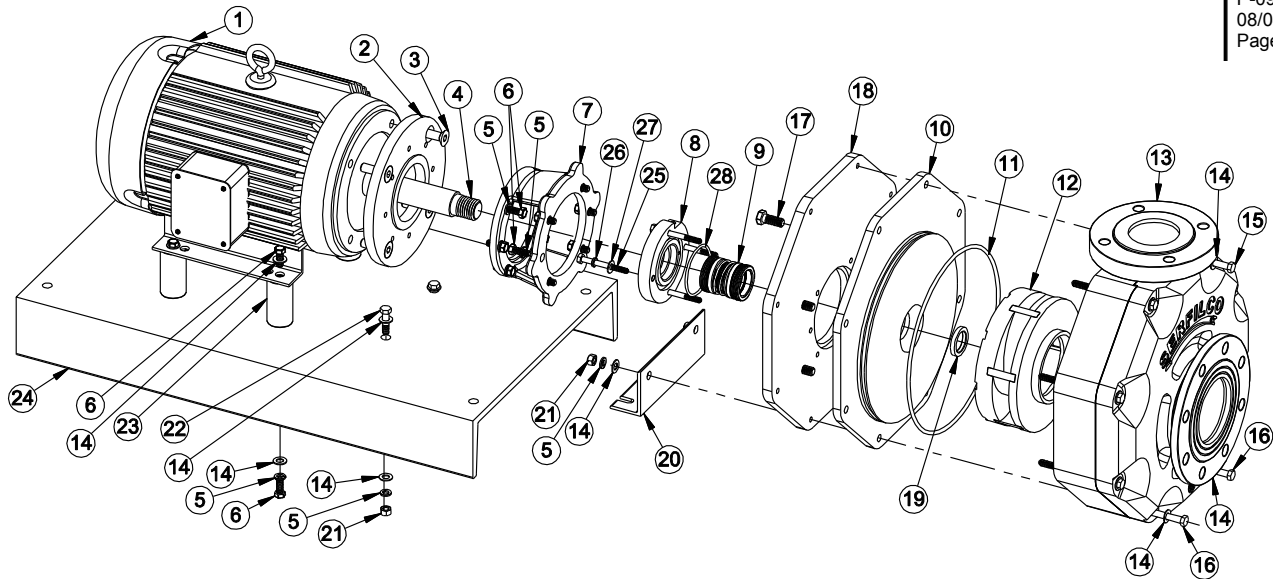


SERFILCO®

Series 'HA' 4x3Fx10 | Horizontal Pump

2900 MacArthur Blvd. Northbrook, IL. USA 60062 WWW.SERFILCO.COM (800) 323-5431

PARTS LIST
P-0978_A
08/04/11
Page 1 of 1



Single Seal Configuration

No	Description	QTY	CT6 (10hp)	CT7 (15hp)	CT8 (20hp)
1	Motor, 1725 rpm, 208-230/460/3/60	1	66-1357-B	66-1358-B	66-1364-B
2	Bracket Adapter	1	44-7590-3	44-7590	
3	Bolt 1/2"-13x1" SS	4		11-0407	
4	Shaft	1		44-7719	
				44-7719-1	
5	Lock Washer 3/8" SS	20		11-0140	
6	Bolt 3/8"-16x1" SS	20		11-0375	
7	Motor Bracket	1		44-2683-2	
8 ¹	Single Seal Shaft Spacer	1		44-7642	
2	Double Seal Back plate	1		44-6250	
9 ¹	Seal, V(M8)	1		55-0484	
1	L(M8) EPDM SiC			55-0516	
1	V(M2) FKM C, AL ₂ O ₃			55-0481	
1	L(M1) EPDM C, AL ₂ O ₃			55-0482	
2	V(M8xM1) FKM x EPDM SiC			55-0470	
2	L(M8xM1) EPDM x EPDM SiC			55-0517	
2	V(M2xM1) FKM x EPDM C, AL ₂ O ₃			55-0488	
2	L(M2xM1) EPDM x EPDM C, AL ₂ O ₃			55-0489	
10	Support Casing	1		44-7718	
11	O-Ring	1		22-2379-V	
				22-2379	
12	Impeller	1	44-7675-2	44-7675-1	44-7675
13	Pump Casing	1		44-7673	
14	Washer, 3/8" SS	22		11-0126	
15	Bolt 3/8"-16x5-1/4" SS	6		11-2149	
16	Bolt 3/8"-16x6" SS	2		11-3024	
17	Hex Bolt 1/2"-13x1 1/4" SS	4		11-2188	
18	Adapter Plate	1		44-7672	
19	Impeller Spacer	1		44-7592	
				44-7592-1	
20	"L" Bracket	1		66-7039	
21	Hex Nut 3/8-16 SS	4		11-0105	
22	Hex Bolt 3/8-16x1 1/2" SS	2		11-0444	
23	Motor Foot	4	66-1421-1	66-1421	
24	Base 18"x30" ST	1		77-1433-5	
25 ²	Bolt 5/16-18x3" SS	4		11-0313	
26 ²	Washer, Lock 5/16" SS	4		11-0355	
27 ²	Washer 5/16" SS	4		11-0122	
28 ²	O-Ring	1		22-0567	
*	² Tubing Adapter ø1/4"x1/8MNPT	1		33-1075	
*	² Tubing Adapter ø1/4"x1/8FNPT	1		33-2308	
*	² Nipple 1/8NPTx3" PVC	1		33-2310-P	

¹ - Single Seal configuration only
² - Double Seal configuration only
* - Not shown

Product Bulletin:	P-207
Operation and Service Guide:	O-0122