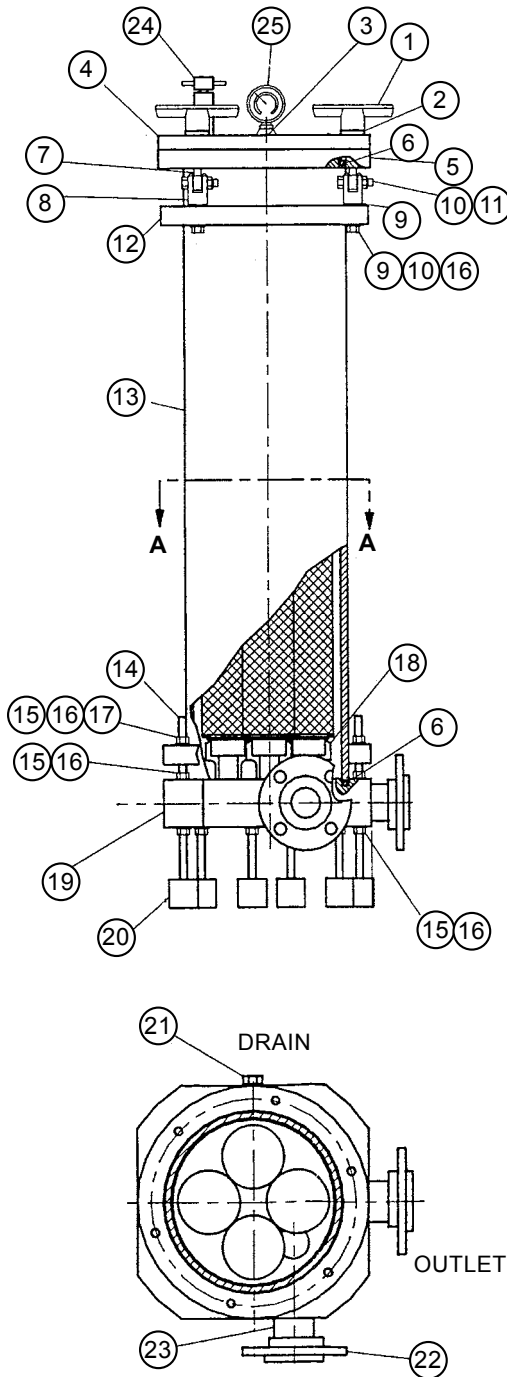




SERIES 'HD' FILTER CHAMBER

Refer to Bulletin C-111 and
Master Price List F-800.



ITEM	DESCRIPTION	QTY.	PART NO.
1	Tee handle, 3/8"-16 - polypropylene	6	11-0265
2	Flat washer, 3/8" - stainless steel	6	11-0447
3	Slted round head screw, 10-24 x 1-1/8" long - stainless steel	4	11-2174
4	Cover plate - FRP	1	88-1531 1
5	Cover - PVDF - polypropylene	1 1	88-1532 1 88-1532 1PP
6	"O"-ring - Viton - EPDM	2 2	22-0602 22-0603
7	Swing bolt, 3/8" x 3-1/2" long - stainless steel	6	11-0497 1
8	Swing bolt yoke - stainless steel	6	77-1256
9	Serrated belleville washer, 3/8" - stainless steel	12	11-2175
10	Hex head bolt, 3/8" x 1-5/8" long - stainless steel	12	11-0444 1
11	Self-locking nut, 3/8" - stainless steel	6	11-0519
12	Hold-down bracket - PVDF - polypropylene	2 2	77-1530 77-1530 PP
13	Shell, 12-3/4" long - PVDF 22-3/4" long - polypropylene 32-3/4" long - PVDF 42-3/4" long - polypropylene	1 1 1 1 1 1	77-1544 77-1544 PP 77-1545 77-1545 PP 77-1531 77-1531 PP 77-1546 77-1546 PP
14	Tie rod, 3/8"-16 x 7" long - stainless steel	6	11-0435
15	Hex nut, 3/8" - stainless steel	18	11-0105
16	Flat washer, 3/8" - stainless steel	18	11-0126
17	Lock washer, 3/8" - stainless steel	6	11-0140
18	Filter support - PVDF - polypropylene	4 4	88-1392 88-3056
19	Base - PVDF - polypropylene	1 1	77-1532 2 77-1532 2PP
20	Stand offs - PVC	6	77-1250
21	Plug, 1" NPT - PVDF - polypropylene	1 1	33-1672 33-0212 PP
22A	Flange adaptor - PVDF - polypropylene	2 2	88-1414 1K 88-1414 1PP
22B	Flange ring - 316 SS	2	88-1414 2SS
23	Flange connector - PVDF - polypropylene	2 2	33-1737 33-1737 PP
24	Vent valve Hose adapter, 3/8" NPT x 5/8" Nipple, 3/8" NPT x 2" long Vent valve	1 1 1 1	33-1798 33-8068 33-1269 PP 33-0051 K
25	Type G3 gauge guard assembly	1	99-0732

NOTE:

- Dimensions are for reference only.
- Maximum diameter of individual cartridge is 3"
- Filter supports and hold down brackets are stick welded.
- Flanges are mandrel welded.
- Use thread locking adhesive (Loctite) on yoke bolts.

F.O.B. Northbrook, Illinois

Terms: Net 30 Days

Minimum order \$50.00



SERFILCO®

2900 MacArthur Blvd. 847-509-2900
Northbrook, IL 60062-2005 U.S.A. 800-323-5431
e-mail: sales@serfilco.com FAX: 847-559-1995
www.serfilco.com