

HFE Series

High Flow Eco, Single Element Housing



- High Flow Eco Housings are designed for residential, commercial and light industrial filtration needs at an economic price and an exceptional value
- Heavy-duty 304L or 316L stainless steel construction for maximum durability and corrosion resistance
- V-band clamp closure for quick and easy cartridge change outs
- Holds one high flow series element for fast and easy push / pull installation
- O-ring seal on cartridge eliminates bypass
- Inside out flow retains contaminant during change out
- Stainless steel mounting tabs standard
- Optional 134W (NSF 61) or 135 coating for brackish or sea water applications

Applications

Water	Desalination
RO Systems	Food & Beverage
Chemicals	Coolants
Electronics	Power
Sea Water	Waste Water

Specifications & Operating Parameters

Maximum Operating Pressure

150 psig (10.3 bar) @ 300°F (149°C)

Connections

Inlet/Outlet: 1", 1.5" or 2" FNPT (2" Standard)

Optional: 1", 1.5" or 2" FBSPP

Drain Ports: ½" FNPT

Vent Ports: ¼" FNPT

Finish

Exterior Surfaces: Glass Bead

Optional: Electro-polish, Passivate, 134W or 135 coating

Custom Options

- Gauge Ports or Gauge Ports with Pressure Gauges

- Mounting Legs

See ordering guide for complete selection of options

Materials of Construction

Head and Shell: 304L or 316L Stainless Steel

Connections: 304L or 316L Stainless Steel

Clamp Closure: 304L Stainless Steel

Vent and Drain Plugs: 304L or 316L Stainless Steel

Mounting Tabs: 304L Stainless Steel

Gaskets

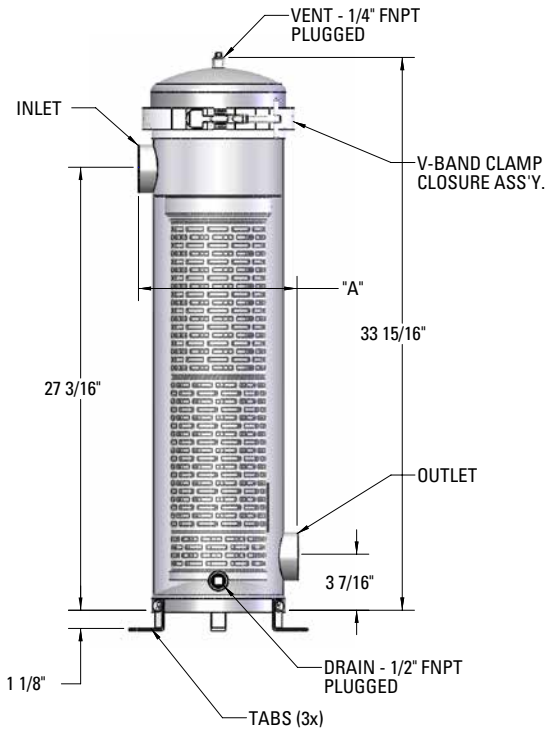
Standard: Buna N (FDA Grade)

Optional: EPR, Silicone or Viton

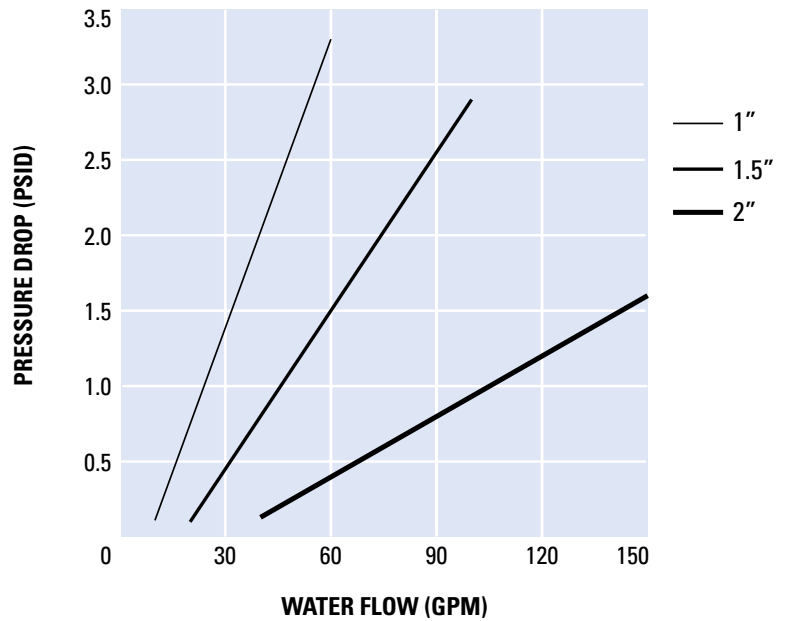
Cartridge Type

HFEC – High Flow Eco cartridge, 6" Dia nom x 23" L,

Heavy duty exterior hard cage. (See HFEC data sheet for cartridge selection)



Housing Flow vs. Pressure Drop



CONNECTION SIZE	1" FNPT	1 1/2" FNPT	2" FNPT
DIMENSION "A"	9 1/2"	9 5/8"	9 3/4"

Ordering Guide (Example: HFE304-1.5FNPT-TABS-B-GB)

HFE	304	-	1.5	FNPT	-	TABS	-	B	-	GB
MODEL	MATERIAL		CONNECTION SIZE	CONNECTION TYPE		MOUNTING		GASKET		OPTIONS
HFE	304 = 304L 316 = 316L		1 1.5 2	FNPT = Female Couplings (Standard) FBSPP = BSP Parallel MNPT = Male Pipe Thread		TABS (Standard) ML = Mounding Legs		B = Buna N (Standard) E = EPR V = Viton S = Silicone		GB = Glass Bead (Standard) 134W = Coating (NSF 61) 135 = Coating EP = Electropolished P = Passivate

Customization

Housings may be customized to meet your precise requirements. Contact Shelco's technical support staff or your distributor for more information.



High Flow Eco Cartridges

Ask us about our compatible High Flow Eco Cartridges.