

HXO Series

PRODUCT DATA SHEET

Fluoropolymer Heater

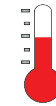
Excellent chemical resistance to aggressive acids!

Inert to most solutions

Low Watt density design saves space & ensures long life

Corrosion-resistant head

Built-in thermal protector & grounded element



Up to 100°C (212°F)



500 to 9,000 Watts



120 to 600 Volts
(600V on 4,500W or lower only)



PTFE sleeved 304 stainless steel



cULus
CE (except 600 Volts)

HXO SERIES, FLUOROPOLYMER (PTFE) HEATERS								
WATTS	VOLTS	WIDTH in/(mm)	HEATER PAD LENGTH in/(mm)	HOT ZONE in/(mm)	OVERALL LENGTH in/(mm)	MAX. COLD ZONE in/(mm)	MODEL NUMBER	SHIP WGT. lbs/(kg)
500	120	5	6	8	11	36	HXO.5105-06-11-**	6
			(152)	(203)	(279)	(914)	HXO.5205-06-11-**	(2.7)
1000	120	6	6	8	11	36	HXO1106-06-11-**	7
			(152)	(203)	(279)	(914)	HXO1206-06-11-**	(3.2)
2000	120	6	10	12	17	35	HXO2106-10-17-**	8
			(152)	(254)	(305)	(432)	HXO2206-10-17-**	(3.6)
							HXO2406-10-17-**	
3000	240	6	12	14	23	35	HXO3206-12-23-**	13
			(152)	(305)	(356)	(584)	HXO3406-12-23-**	(5.9)
4000	240	6	19	21	29	35	HXO4206-19-29-**	15
			(152)	(483)	(533)	(737)	HXO4406-19-29-**	(6.8)
5000	240	6	20	22	35	31	HXO5206-20-35-**	18
			(152)	(508)	(559)	(889)	HXO5406-20-35-**	(8.2)
6000	240	6	22	24	40	25	HXO6206-22-40-**	22
			(152)	(559)	(610)	(1016)	HXO6406-22-40-**	(10)
8000	240	6	36	38	47	28	2HXO8206-36-47-***	25
			(152)	(914)	(965)	(1194)	2HXO8406-36-47-***	(11.3)
9000	240	6	40	42	54	30	2HXO9206-40-54-***	28
			(152)	(1016)	(1067)	(1372)	2HXO9406-40-54-***	(12.7)

Single phase ONLY. Guards recommended.

**PROCESS
TECHNOLOGY**

ISO 9001:2015
WITH DESIGN CERTIFIED

Features & Values

- Inert to most aqueous acid, alkaline, anodizing, & pickling solutions up to 100°C (212°F)
- Rugged, heavy wall PTFE covered stainless steel element reduces permeation. Guaranteed 100% pinhole free
- Space saving & long service life with low Watt density design of 10 W/in² (1.5 W/cm²)
- Vapor-resistant, flame retardant polypropylene terminal enclosure with 3 ft (.9m) flexible PVC liquid tight conduit
- Optional patented purge feature promotes a longer heater life by reducing chemical permeation
- Lower Watt densities available for highly viscous solutions & technical acids

Specifications

Wattages 500 to 9,000 Watts

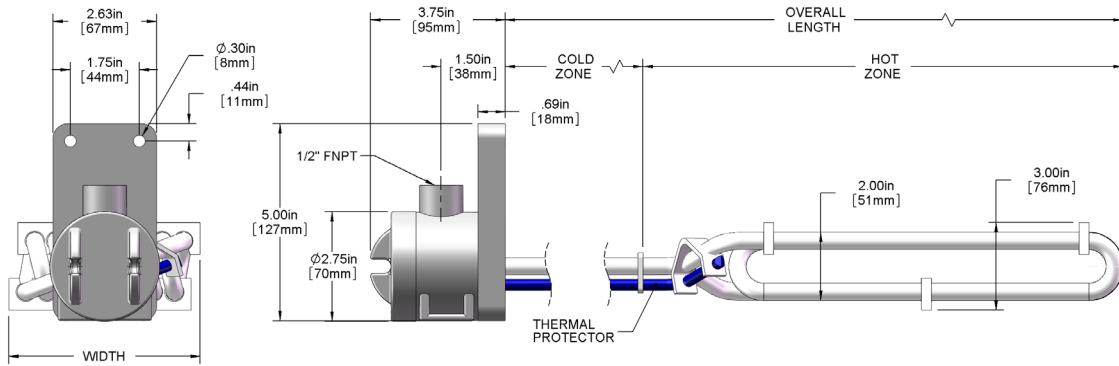
Voltages 120 to 600 Volts
(600V on 4,500W or lower only)

Temperature Range Up to 100°C (212°F)

- Safety Features**
- Grounded internal metal element
 - Built-in thermal protector. Replaceable P1 protector standard for up to 82°C (180°F). Other options available
 - Non-floating construction

Certifications cULus listed
CE compliant (except 600V)

Dimensions



Model Number Breakdown

HXO	1	1	06	-	06	-	11	-	P1	-	
Series	Wattage	Voltage	Width		Hot Zone		Overall Length		Type of Protector		Wire & Conduit Length
HXO = PTFE	.5 = 500	1 = 120	05 = .5kW		06 = .5kW		11 = .5kW		Replaceable Fuse (Type-J TC)		36" length standard (no designator)
	1 = 1000	2 = 240	06 = 1kW		06 = 1kW		11 = 1kW		P1 (std) = solutions up to 190°F		Specify variations from standard Ex: -X84 = 84"
	2 = 2000	3 = 380	06 = 2kW		10 = 2kW		17 = 2kW		Resettable Fuse (Type-J TC)		
	3 = 3000	4 = 480	06 = 3kW		12 = 3kW		23 = 3kW		P2 = solutions up to 190°F		
	4 = 4000	5 = 415	06 = 4kW		19 = 4kW		29 = 4kW		P8 = 190° to 210°F		
	5 = 5000	6 = 600	06 = 5kW		20 = 5kW		35 = 5kW		P3 = 210° to 250°F		
	6 = 6000	7 = 400	06 = 6kW		22 = 6kW		40 = 6kW				
	8 = 8000	8 = 208	06 = 8kW		36 = 8kW		47 = 8kW				
	9 = 9000	9 = 220	06 = 9kW		40 = 9kW		54 = 9kW				
		0 = 200					Specify custom lengths				

