



SERIES 410 - 430 | BAG CHAMBERS

FEATURES AND BENEFITS

- **Non-Metallic Solution Contact**
PVC, CPVC, Polypropylene or PVDF Construction
EPDM Elastomers Standard (FKM Optional).
- **Sizes to 2.25 Square Feet (0.23 sq/m)**
For Flow Rates to 20 GPM (75 LPM).
- **Top Inlet - Bottom Outlet Design.**
- **Easy to Service.**
Clamp Ring Cover Closure - No Tools Required.
- **Port Size:**
3/4" Hose Quick - Connect Coupling x 3/4" FNPT.
- **Polypropylene Filter Bags.**
Available in 1, 5, 10, 25, 50 and 100 micron.



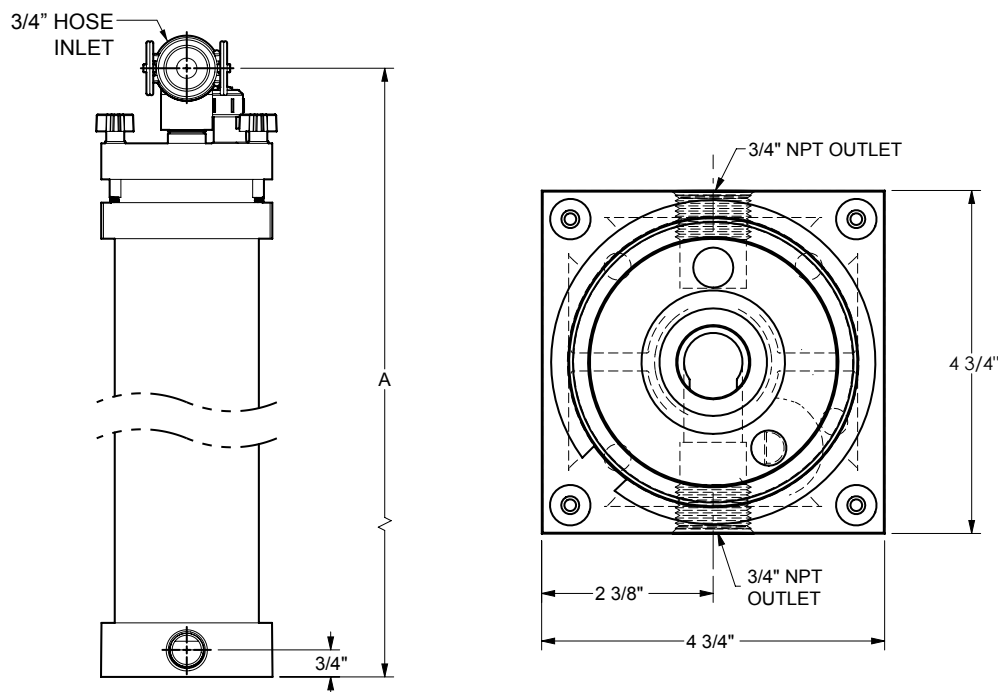
MATERIAL	DESCRIPTION	MODEL NUMBER	PRICE CODE	BAG LENGTH
PVC	CPVC base and cover, translucent PVC shell sealed to base. EPDM O-Ring, Clamp ring cover closure.	CPCL410BFS-3/4	78-1280	10"
		CPCL420BFS-3/4	78-1281	20"
		CPCL430BFS-3/4	78-1282	30"
CPVC	CPVC base and cover, CPVC shell sealed to base. EPDM O-Ring, Clamp ring cover closure.	CCL410BFS-3/4	78-1280-C	10"
		CCL420BFS-3/4	78-1281-C	20"
		CCL430BFS-3/4	78-1282-C	30"
PP	Polypropylene base and cover, polypropylene shell sealed to base. EPDM O-Ring, Clamp ring cover closure.	CPPL410BFS-3/4	78-1280-PP	10"
		CPPL420BFS-3/4	78-1281-PP	20"
		CPPL430BFS-3/4	78-1282-PP	30"
PVDF	PVDF base and cover, PVDF shell sealed to base. FKM O-Ring, Clamp ring cover closure.	CKL410BFS-3/4	78-1280-K	10"
		CKL420BFS-3/4	78-1281-K	20"
		CKL430BFS-3/4	78-1282-K	30"



SERIES 410 - 430 | BAG CHAMBERS

TECHNICAL INFORMATION

SERIES NUMBER	SURFACE AREA		PORTS	MAXIMUM FLOW RATE		HEIGHT 'A'		SHIPPING WEIGHT	
	ft. ²	M ²		GPM	LPM	in	mm	lbs	kg
410	0.75	0.10	3/4"	20	75	15.40	391	5	2
420	1.50	0.15	3/4"	20	75	25.43	646	7	3
430	2.25	0.20	3/4"	20	75	35.46	901	9	4



SERIES 410 - 430 REPLACEMENT MEDIA

FOR 410 CHAMBERS			FOR 420 CHAMBERS			FOR 430 CHAMBERS		
NOM. MICRON RATING	PRICE CODE NUMBER	MODEL NUMBER	NOM. MICRON RATING	PRICE CODE NUMBER	MODEL NUMBER	NOM. MICRON RATING	PRICE CODE NUMBER	MODEL NUMBER
1	88-1730-1	FB-PP01 x .75	1	88-1731-1	FB-PP01 x 1.50	1	88-1732-1	FB-PP01 x 2.25
5	88-1730-5	FB-PP05 x .75	5	88-1731-5	FB-PP05 x 1.50	5	88-1732-5	FB-PP05 x 2.25
10	88-1730-10	FB-PP10 x .75	10	88-1731-10	FB-PP10 x 1.50	10	88-1732-10	FB-PP10 x 2.25
25	88-1730-25	FB-PP25 x .75	25	88-1731-25	FB-PP25 x 1.50	25	88-1732-25	FB-PP25 x 2.25
50	88-1730-50	FB-PP50 x .75	50	88-1731-50	FB-PP50 x 1.50	50	88-1732-50	FB-PP50 x 2.25
100	88-1730-100	FB-PP100 x .75	100	88-1731-100	FB-PP100 x 1.50	100	88-1732-100	FB-PP100 x 2.25



SERFILCO®

Chemical resistant pumps & filters engineered for industry

2900 MacArthur Blvd.
Northbrook, IL. 60062-2005 U.S.A (800) 323-5431
E-Mail: sales@serfilco.com (847) 509-2900
Web: www.serfilco.com (847) 559-1141