



SERIES 'L' | CARTRIDGE FILTER CHAMBERS



FEATURES AND BENEFITS

- **Single Column Design**
- **Non-Metallic Solution Contact:**
PVC, CPVC, Polypropylene or PVDF Construction.
(See a chemical resistance chart)
- **Heavy Duty Construction:**
Pressure Ratings to 160psi (1103 KPa)
(See pressure/temperature table on page 3)
Clamp Ring Closure or Optional External Tie Rod.
- **Variety of Sizes:**
From 1 to 4 - 10" Cartridge Capacity.
(Or equivalent 20", 30", or 40" Lengths)
- **Port Size:**
3/4" NPT Standard.
- **O-Ring Seal at Cover & Vent Valve:**
EPDM standard, FKM optional.
- **Flow Rates to 34 GPM:**
Depending on style and length of filtration media,
as well as chemistry characteristics.

Can Be Used with a Variety of Filter Media (order separately)

- Depth Wound, Pleated or Carbon Cartridges
- Positive Cartridge Seal for:
Standard - DOE . . . Double Open End
Optional - SOE . . . Single Open End for 222 O-Ring

SERIES 'L' CHAMBERS: ORDER INFORMATION

MATERIAL	DESCRIPTION	MODEL NUMBER	PRICE CODE	CONN. SIZE	CARTRIDGE LENGTH
PVC	CPVC base and cover, translucent PVC shell with shell sealed to the base.	CPCL10 3/4	78-1268-AC	3/4" NPT	10
		CPCL 20 3/4	78-1269-AC		20
		CPCL 30 3/4	78-1270-AC		30
		CPCL 40 3/4	78-1271-AC		40
CPVC	CPVC base, cover and shell with shell sealed to base.	CCL10 3/4	78-0240-AC	3/4" NPT	10
		CCL 20 3/4	78-0241-AC		20
		CCL 30 3/4	78-0242-AC		30
		CCL 40 3/4	78-0243-AC		40
PP	Polypropylene base, cover and shell with shell sealed to base.	CPPL10 3/4	78-0287-AC	3/4" NPT	10
		CPPL 20 3/4	78-0288-AC		20
		CPPL 30 3/4	78-0289-AC		30
		CPPL 40 3/4	78-0290-AC		40
PVDF	PVDF base, cover and shell with shell sealed to base	CKL 10 3/4	78-0467-AC	3/4" NPT	10
		CKL 20 3/4	78-0468-AC		20
		CKL 30 3/4	78-0469-AC		30



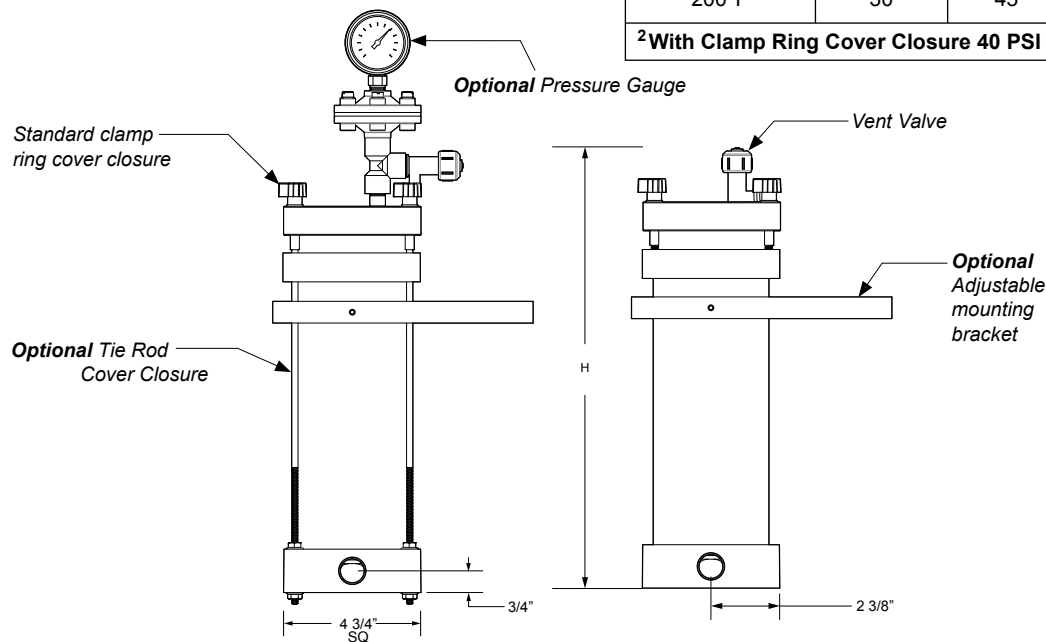
TECHNICAL INFORMATION

FLOW RATE vs. PRESSURE DIFFERENTIAL ¹		
CONNECTION SIZE	@ 5 PSI	@ 15 PSI
3/4"	12 GPM 45 LPM	24 GPM 91LPM

¹With 15 Micron Depth Wound Cartridges

MAX. PSI PRESSURE AT OPERATING TEMP. WITH TIE ROD COVER CLOSURE ²			
TEMPERATURE	CPVC	PVDF	PP & PVC
70°F	160	130	100
100°F	130	105	85
120°F	105	90	75
140°F	80	75	65
170°F	50	60	25
200°F	30	45	-

²With Clamp Ring Cover Closure 40 PSI Max



SERIES 'L' CHAMBERS							
CHAMBER			CARTRIDGES - Max Diameter 3"				
SIZE	HEIGHT 'H' (in.)	SHIPPING WEIGHT (lbs.)	SIZE & NUMBER				SOLIDS AREA
			10"	20"	30"	40"	
10	13	5	1	-	-	-	3.5
20	23	7	2	1	-	-	7.0
30	33	9	3	-	1	-	10.5
40	43	11	4	2	-	1	14.0

OPTIONAL EQUIPMENT

TO ORDER	DESCRIPTION	ADD to MODEL NO.	ADD TO PRICE CODE NO.
FKM Elastomers	Change L to V in Model Number.	-	-V
Mounting Bracket	Adjustable 9" x 5" PVC for PP Chamber	-	44-3200-1 44-3200-2
Cover Plate	Standard on Models with Tie Rod Cover Closure (Recommended above 120°F at 75% max pressure)	-	99-1099-SS
222 O-Ring Cartridge Seat	For SOE (single open and flat top) Cartridge. Cross Post not Provided.	-2	-2
Pressure Gauge 0 - 60 PSI	Mounted in Cover with EPDM Diaphragm & Vent Valve	PP	-G4A
	Mounted in Cover with FKM Diaphragm & Vent Plug	CPVC	-G4A
		PVDF	-G4
Tie Rod Cover Closure	Drop First C from Model Number, and C from Price Code		