

BC157 RUN-STOP-JOG SWITCH FOR MODEL BC154 & BCWD140

INSTALLATION INSTRUCTIONS

WARNING! Be sure to read safety warning before proceeding. Electrocutation may result if you do not read safety warning.

SAFETY WARNING - PLEASE READ CAREFULLY

This product should be installed and serviced by a qualified technician, electrician or electrical maintenance person familiar with its operation and the hazards involved. Proper installation which includes wiring, mounting in proper enclosure, fusing or other overcurrent protection and grounding, can reduce the chance of electric shock, fire or explosion in this product or products used with this product, such as electric motors, switches, coils, solenoids and/or relays. Eye protection must be worn and insulated adjustment tools must be used when working with control under power. This product is constructed of materials (plastics, metals, carbon, silicon, etc.) which may be a potential hazard. Proper shielding, grounding and filtering of this product can reduce the emission of radio frequency interference (RFI) which may adversely affect sensitive electronic equipment. If information is required on this product, contact our factory. It is the responsibility of the equipment manufacturer and individual installer to supply this safety warning to the ultimate user of this product. (SW effective 11/92)

This control contains Start/Stop and Inhibit circuits which can be used to start and stop the control. However, these circuits are never to be used as safety disconnects since they are not fail-safe. Use only the AC line for this purpose.

The input circuits of this control (potentiometer, Start/Stop, Inhibit) are not isolated from AC line. Be sure to follow all instructions carefully. Fire and/or electrocution may result due to improper use of this product.

OPERATION

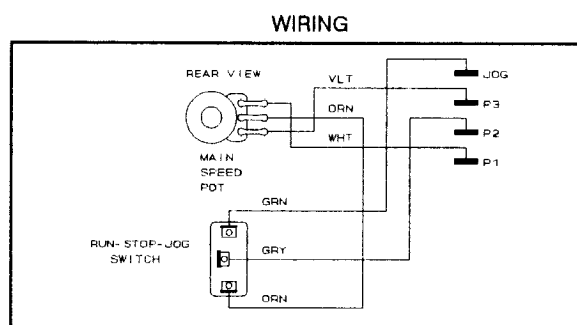
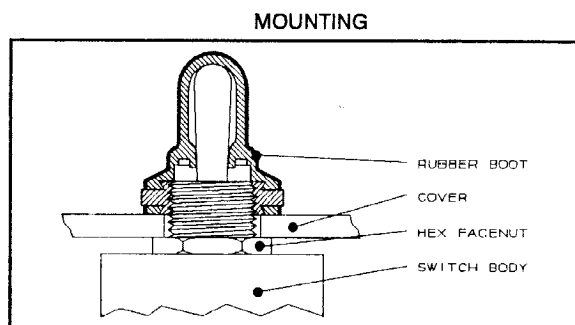
The Run-Stop-Jog Switch provides a momentary jog speed which can be used to index a machine into position. The switch contains three (3) positions:

1. "Run" - The switch is placed in this position when the control output is to be set via the main potentiometer.
2. "Jog" - Used to provide a low speed output. This position is spring loaded so the switch must be held. The preset jog speed can be changed using the JOG trimpot located on the BC154 or BCWD140 main PC board.
3. "Stop" - Acts as a resting position when the Jog function is used. The motor will coast to a stop when in this position.

The BCWD140 comes supplied with this switch. These instructions may be used for switch replacement.

MOUNTING

1. Remove rubber plug in the Run-Stop-Jog position by unscrewing the retainer nut on the inside cover.
2. Install the Run-Stop-Jog switch assembly into the front cover making sure the key in the hole lines up with the keyway in the switch bushing. Be sure the hex nut supplied is installed at the base of the switch bushing before inserting switch into the BC154 or BCWD140 cover.
3. Install the rubber switch boot with integral hex nut over switch lever. Switch should be in the stop position to facilitate installation. Also, the switch bushing threads should protrude no more than .25" (6.4mm) or no less than .10" (2.6mm) through the front cover for proper installation. Tighten the switch boot so that the bottom seals against the cover label. Do not overtighten.



WIRING:

1. Using long nose pliers carefully remove the orange main potentiometer wire with quick-disconnect terminal from terminal "P2" on the main PC board. (Rock terminal back and forth to facilitate removal.)
2. Insert the orange potentiometer wire with quick-disconnect terminal into the vacant mating tab terminal on the Run-Stop-Jog switch.
3. Insert the gray quick-disconnect lead from the Run-Stop-Jog switch onto the "P2" mating tab on the main PC board.
4. Insert the green quick-disconnect lead from the Run-Stop-Jog switch onto the "Jog" mating tab on the main PC board.

INSTALLATION IS NOW COMPLETE