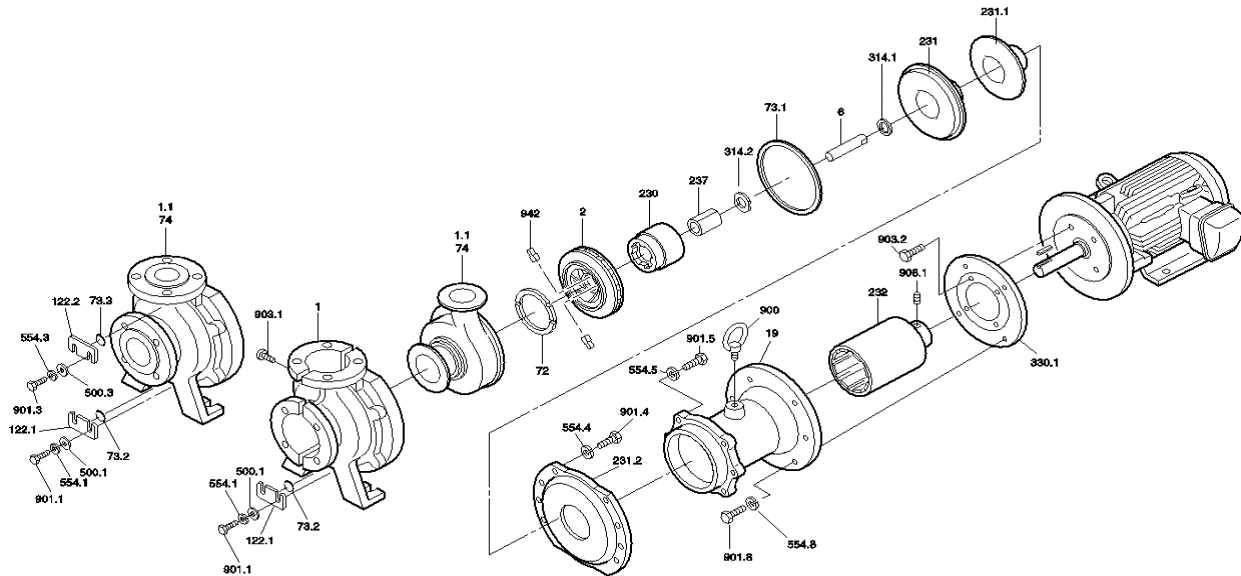


## MDM PARTS LIST



**SHADED ITEM NO.'S ARE RECOMMENDED SPARE PARTS**

Item No.	Part Number	Qty	Description
1	MDM0510	1	Casing cover, MDM-1516
	MDM0521	1	Casing cover, MDM-1518
	MDM0891	1	Casing cover, MDM-15182, 5.25" CL Height
	MDM0892	1	Casing cover, MDM-15182, 6.25" CL Height (15/20/25 HP models)
	MDM0543	1	Casing cover, MDM-2156
	MDM0904	1	Casing cover, MDM-2158
	MDM0542	1	Casing cover, MDM-2526
	MDM0533	1	Casing cover, MDM-326
	MDM0511	1	Casing Cover, PKK, MDM-1516
1.1+74	MDM0699	1	Casing Cover with PFA liner, PKK, MDM-1518
	MDM0893	1	Casing Cover with PFA liner, PKK, MDM-15182, 6.25" CL Height
	MDM0701	1	Casing Cover with PFA liner, PKK, MDM-2156
	MDM0905	1	Casing Cover with PFA liner, PKK, MDM-2158
	MDM0540	1	Casing Cover with PFA liner, PKK, MDM-2526
	MDM0536	1	Casing Cover with PFA liner, PKK, MDM-326
1.1	MDM0514	1	Casing Liner, ETFE/SIC, MDM-1516EKK
	MDM0513	1	Casing Liner, ETFE/AL. Cer., MDM-1516ECF
	MDM0512	1	Casing Liner, PFA/SIC, MDM-1516PKK
	MDM0523	1	Casing Liner, ETFE/SIC, MDM-1518EKK
	MDM0723	1	Casing Liner, ETFE/SIC, MDM-15182EKK
	MDM1001	1	Casing Liner, ETFE/Alumina Ceramic, MDM-15182ECF
	MDM0522	1	Casing Liner, ETFE/Alumina Ceramic, MDM-1518ECF
	MDM0205	1	Casing Liner, ETFE/SIC, MDM-2156EKK
	MDM0870	1	Casing Liner, ETFE/SIC, MDM-2158EKK
	MDM1000	1	Casing Liner, ETFE/Alumina Ceramic, MDM-2158ECF
	MDM0206	1	Casing Liner, ETFE/Alumina Ceramic, MDM-2156ECF
	MDM0281	1	Casing Liner, ETFE/SIC, MDM-2526EKK
	MDM0282	1	Casing Liner, ETFE/Alumina Ceramic, MDM-2526ECF



<b>Effective:</b> November 6, 2015 <b>Supersedes:</b> April 1, 2005	<b>PAGE:</b> <b>SPARES-2</b>
--	---------------------------------

### MDM Parts Price Pages

Item No.	Part Number	Qty	Description
1.1	MDM0535	1	Casing Liner, ETFE/SIC, MDM-326EKK
	MDM0534	1	Casing Liner, ETFE/Alumina Ceramic, MDM-326ECF
72	MDM0018	1	Thrust Collar, Inboard, SIC, MDM-1516/1518/2156
	MDM0488	1	Thrust Collar, Inboard, SIC, MDM-15182/2158/2526
	MDM0376	1	Thrust Collar, Inboard, SIC, MDM-326
	MDM0019	1	Thrust collar, Inboard, PTFE, MDM-1516/1518/2156
	MDM0489	1	Thrust collar, Inboard, PTFE, MDM-2526
	MDM0377	1	Thrust collar, Inboard, PTFE, MDM-326
	MDM0951	1	Thrust collar, Inboard, PTFE, MDM-15182/2158
942	MDM0045	2	Impeller Pin, MDM-1516
	MDM0138	2	Impeller Pin, MDM-1518/15182/2156/2158/2526/326
2	MDM0070	1	Impeller, ETFE, MDM-1516ECF/EKK
	MDM0166	1	Impeller, ETFE, MDM-1518ECF/EKK
	MDM0242	1	Impeller, ETFE, MDM-2156ECF/EKK
	MDM0482	1	Impeller, ETFE, MDM-2526ECF/EKK
	MDM0319	1	Impeller, ETFE, MDM-326ECF/EKK
	MDM0895	1	Impeller, ETFE, MDM-15182/2158
	MDM0049	1	Impeller, PFA, MDM-1516PKK
	MDM0142	1	Impeller, PFA, MDM-1518PKK
	MDM0218	1	Impeller, PFA, MDM-2156PKK
	MDM0475	1	Impeller, PFA, MDM-2526PKK
	MDM0291	1	Impeller, PFA, MDM-326PKK
	MDM0894	1	Impeller, PFA, MDM-15182/2158
230	MDM0034	1	Magnet Capsule, ETFE, 2/3 HP, MDM-1516
	MDM0134	1	Magnet Capsule, ETFE, 5 HP, MDM-1518/2156/2526
	MDM0134	1	Magnet Capsule, ETFE, 7.5 HP, MDM-1518/2156/2526
	MDM0288	1	Magnet Capsule, ETFE, 7.5 HP, MDM-15182/2158/326
	MDM0288	1	Magnet Capsule, ETFE, 10 HP, MDM-1518/15182/2156/2158/2526/326
	MDM0470	1	Magnet Capsule, ETFE, 15 HP, MDM-15182/2158/326
	MDM0470	1	Magnet Capsule, ETFE, 20 HP, MDM-15182/2158/326
	MDM0470	1	Magnet Capsule, ETFE, 25 HP, MDM-15182/2158
	MDM0033	1	Magnet Capsule, PFA, 2/3 HP, MDM-1516
	MDM0133	1	Magnet Capsule, PFA, 5 HP, MDM-1518/2156/2526
	MDM0133	1	Magnet Capsule, PFA, 7.5 HP, MDM-1518/15182/2156/2158/2526
	MDM0287	1	Magnet Capsule, PFA, 7.5 HP, MDM-326
	MDM0287	1	Magnet Capsule, PFA, 10 HP, MDM-1518/15182/2156/2158/2526/326
	MDM0469	1	Magnet Capsule, PFA, 15 HP, MDM-15182/2158/326
	MDM0469	1	Magnet Capsule, PFA, 20 HP, MDM-15182/2158/326
	MDM0469	1	Magnet Capsule, PFA, 25 HP, MDM-15182/2158
	230+2	MDM0804	1
MDM0812		1	IMP/MAG CAP ASSY, PFA, 10 HP, MDM-15182H/2158H
MDM0820		1	IMP/MAG CAP ASSY, PFA, 15 - 25 HP, MDM-15182H/2158H
237	MDM0016	1	Bearing, SIC, MDM-1516
	MDM0123	1	Bearing, SIC, MDM-1518/2156/2526
	MDM0374	1	Bearing, SIC, MDM-326



<b>Effective:</b> November 6, 2015 <b>Supersedes:</b> April 1, 2005	<b>PAGE:</b> <b>SPARES-3</b>
--	---------------------------------

### MDM Parts Price Pages

Item No.	Part Number	Qty	Description
237	MDM0735	1	Bearing, SIC, MDM-15182/2158
	MDM0017	1	Bearing, High Density Carbon, MDM-1516
	MDM0124	1	Bearing, High Density Carbon, MDM-1518/2156/2526
	MDM0375	1	Bearing, High Density Carbon, MDM-326
	MDM0950	1	Bearing, High Density Carbon, MDM-15182/2158
314.2	MDM0021	1	Rear Thrust Collar, Inboard, SIC, MDM-1516
	MDM0126	1	Rear Thrust Collar, Inboard, SIC, MDM-1518/15182/2156/2158/2526/326
	MDM0022	1	Rear Thrust Collar, Inboard, Alumina Ceramic, MDM-1516
	MDM0127	1	Rear Thrust Collar, Inboard, Al. Ceramic, MDM-1518/2156/2526/326
73.1	MDM0024	1	Casing Gasket, PTFE, MDM-1516
	MDM0214	1	Casing Gasket, PTFE, MDM-1518/2156/2526/326
	MDM0736	1	Casing Gasket, PTFE, MDM-15182
	MDM0130	1	Casing Gasket, PTFE, MDM-2158
6	MDM0014	1	Shaft, SIC, MDM-1516
	MDM0121	1	Shaft, SIC, MDM-1518/2156/2526
	MDM0372	1	Shaft, SIC, MDM-15182/2158/326
	MDM0015	1	Shaft, Alumina Ceramic, MDM-1516
	MDM0122	1	Shaft, Alumina Ceramic, MDM-1518/2156/2526
	MDM0373	1	Shaft, Alumina Ceramic, MDM-326/15182/2158
314.1	MDM0020	1	Rear Thrust Collar, Outboard, Filled PTFE, MDM-1516ECF/EKK
	MDM0125	1	Rear Thrust Collar, Outboard, Filled PTFE, MDM-1518/2156/2526ECF/EKK
	MDM0378	1	Rear Thrust Collar, Outboard, Filled PTFE, MDM-15182/2158326ECF/EKK
	MDM0613	1	Rear Thrust Collar, Outboard, PTFE, MDM-1516PKK
	MDM0614	1	Rear Thrust Collar, Outboard, PTFE, MDM-1518/2156/2526PKK
	MDM0615	1	Rear Thrust Collar, Outboard, PTFE, MDM-15182/2158/326PKK
231	MDM0011	1	Containment Shell, ETFE, MDM-1516
	MDM0211	1	Containment Shell, ETFE, MDM-1518/2156/2526
	MDM0538	1	Containment Shell, ETFE, MDM-326
	MDM0732	1	Containment Shell, ETFE, MDM-1518-2, 176 °F (80°C)
	MDM0371	1	Containment Shell, ETFE, MDM-2158, 176 °F (80°C)
	MDM0010	1	Containment Shell, PFA, MDM-1516
	MDM0210	1	Containment Shell, PFA, MDM-1518/2156/2526
	MDM0537	1	Containment Shell, PFA, MDM-326
	MDM0730	1	Containment Shell, PFA, MDM-15182PKK, 176 °F (80°C)
	MDM0370	1	Containment Shell, PFA, MDM-2158PKK, 176°F (80°C)
	MDM0731	1	Containment Shell, PFA, MDM-1518 __ H, HIGH TEMP
	MDM0877	1	Containment Shell, PFA, MDM-2158 __ H, HIGH TEMP
	231.1	MDM0012	1
MDM0212		1	Containment Shell Cover, MDM-1518/2156/2526/326
MDM0733		1	Containment Shell Cover, MDM-15182, 176 °F (80°C)
MDM0119		1	Containment Shell Cover, MDM-2158, 176 °F (80°C)
MDM0733		1	Containment Shell Cover, MDM-15182, HIGH TEMP
MDM0119		1	Containment Shell Cover, MDM-2158, HIGH TEMP
159.1	MDM0734	1	Containment Shell Support, MDM15182/2158H



<b>Effective:</b> November 6, 2015 <b>Supersedes:</b> April 1, 2005	<b>PAGE:</b> <b>SPARES-4</b>
--	---------------------------------

### MDM Parts Price Pages

Item No.	Part Number	Qty	Description
231.2	MDM0520	1	Containment Shell Support, MDM-1516
	MDM0532	1	Containment Shell Support, MDM-1518/2156/2526/326
	MDM0900	1	Containment Shell Support, MDM-15182
	MDM0906	1	Containment Shell Support, MDM-2158
19	MDM0515	1	Frame, 2HP, MDM-1516 (DCI)
	MDM0516	1	Frame, 3 HP, MDM-1516 (DCI)
	MDM0525	1	Frame, 3 - 5 HP, MDM-1518/2156/2526 (DCI)
	MDM0526	1	Frame, 7.5 - 20 HP, MDM-1518/15182/2156/2158/2526/326 (DCI)
	MDM0899	1	Frame, 25 HP, MDM-15182/2158/326 (DCI)
232	MDM0517	1	Outer Magnet Assembly, 2 HP, MDM-1516
	MDM0518	1	Outer Magnet Assembly, 3 HP, MDM-1516
	MDM0527	1	Outer Magnet Assembly, 5 HP, MDM-1518/2156/2526
	MDM0528	1	Outer Magnet Assembly, 7.5 HP, MDM-1518/15182/2156/2158/2526
	MDM0529	1	Outer Magnet Assembly, 7.5 HP, MDM-326
	MDM0529	1	Outer Magnet Assembly, 10 HP, MDM-1518/15182/2156/2158/2526/326
	MDM0901	1	Outer Magnet Assembly, 15/20 HP, MDM-15182/2158/326
MDM0902	1	Outer Magnet Assembly, 25 HP, MDM-15182/2158/326	
330.1	MDM0519	1	Motor Adapter, 2 HP, MDM-1516
	MDM0531	1	Mtr Adptr,5-20HP,MDM-1518/15182/2156/2158/2526/326(N/R on 3HP)
122.1	MDM0009	1	Drain Plate, MDM - ALL MODELS
122.2	MDM0009	1	Air Vent Plate (PFA only) - ALL MODELS
73.2	MDM0025	1	Drain Gasket, MDM-ALL MODELS
73.3	MDM0025	1	Air Vent Gasket (PFA ONLY) - ALL MODELS
500.1	MDM0551	2	Flat Washer, MDM-1516/1518/15182/2156/2158/2526/326
500.3	MDM0551	2	Flat Washer, MDM-1516/1518/15182/2156/2158/2526/326
554.1	MDM0552	2	Split Washer, MDM-1516/1518/15182/2156/2158/2526/326
554.3	MDM0552	2	Split Washer, MDM-1516/1518/15182/2156/2158/2526/326
554.5	MDM0544	6 or 8	Split Washer, MDM-1516
	MDM0545	6 or 8	Split Washer, MDM-1518/15182/2156/2158/2526/326
	MDM0490	10	Split Washer, MDM-15182/2158
554.4	MDM0544	4	Split Washer, MDM-1516
	MDM0545	4	Split Washer, MDM-1518/15182/2156/2158/2526/326
554.6	MDM0545	4	Split Washer, MDM-1516/1518/2156/2526/326
900	MDM0036	1	Eye Bolt, M12, MDM-ALL MODELS
901.1	MDM0546	2	Hex Head Bolt, MDM-1516/1518/15182/2156/2158/2526/326
901.3	MDM0546	2	Hex Head Bolt, MDM-1516/1518/15182/2156/2158/2526/326
901.4	MDM0547	6 or 8	Hex Head Bolt, MDM-1516
	MDM0553	6 or 8	Hex Head Bolt, MDM-1518/2156/2526/326
901.5	MDM0548	4	Hex Head Bolt, MDM-1516
	MDM0549	4	Hex Head Bolt, MDM-1516/1518/15182/2156/2158/2526/326
	MDM0903	10	Hex Head Bolt, MDM-15182/2158
901.6	MDM0549	4	Hex Head Bolt, MDM-1516/1518/15182/2156/2158/2526/326
903.1	MDM0043	5	Hex Socket Cap Bolt, MDM-1516/1518/2156/2526/326
903.2	MDM0550	4	Hex Socket Cap Bolt, 2 HP, MDM-1516
	MDM0549	4	Hex Socket Cap Bolt, 5 - 20 HP, MDM-1518/2156/2526/326
908.1	MDM0044	2	Hex Socket Set Screw, MDM-1516/1518/2156/2526/326