



SERFILCO®

Chemical resistant pumps & filters engineered for industry

BULLETIN
F-304_H
01/31/2020
Page 1 of 4

MEGA-FLO® | FILTRATION SYSTEM

Disc System to 14,000 GPH



**Stainless Steel
External Hardware**

Non-Metallic Solution Contact

High-temp PP or CPVC
(Chemical resistance guide on T-102)

Disc Systems

40 Gal. slurry tank w/ valves

Motor Starter

NEMA 4X watertight w/
overload protection.

High Flow Rates

6,000 - 30,000 GPH @ 60Hz

Chemical Duty Motor

230/460V/3/60Hz TEFC
Sealed oversized bearings,
cast iron end bells, corrosion
resistant epoxy coating,
stainless steel nameplate.

Flange Connections

EPDM Elastomers

Centrifugal Pumps

Double mechanical seal,
or magnetic-coupled.

Cartridge System to 21,000 GPH



Pump Selection

Mechanical Seal Pumps

Series 'HE'



Bulletin P-201

Series 'HF'



Bulletin P-208

Series 'HA'



Bulletin P-207

Magnetic Coupled Pumps

Series 'UC'



Bulletin P-514

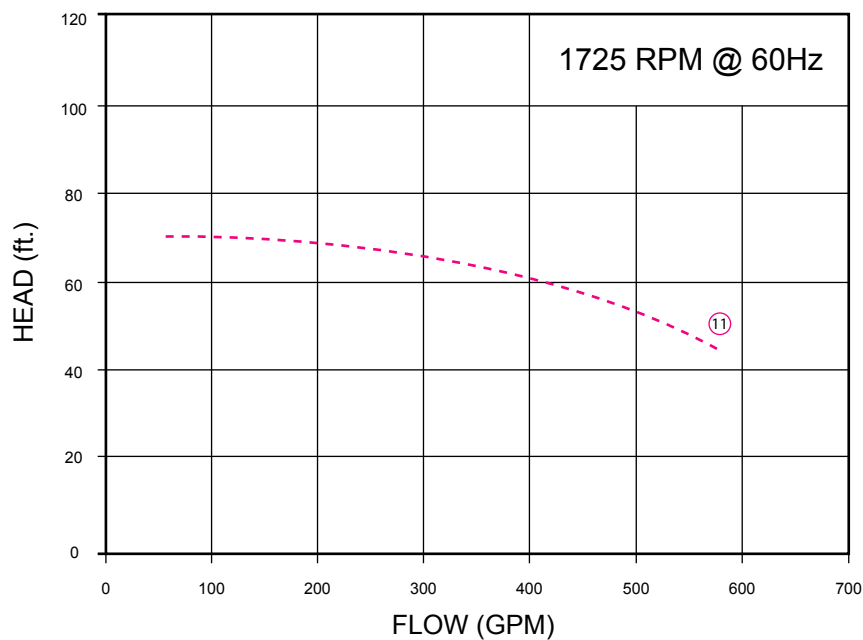
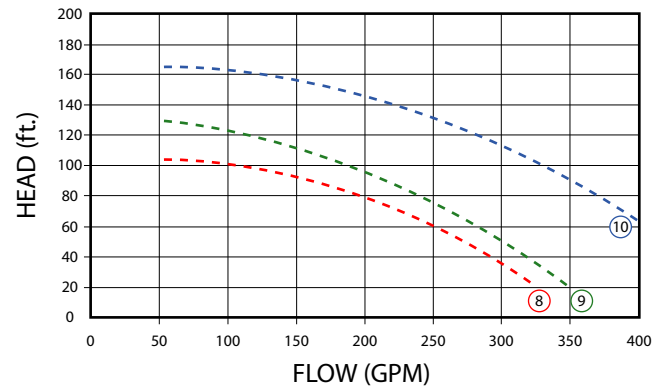
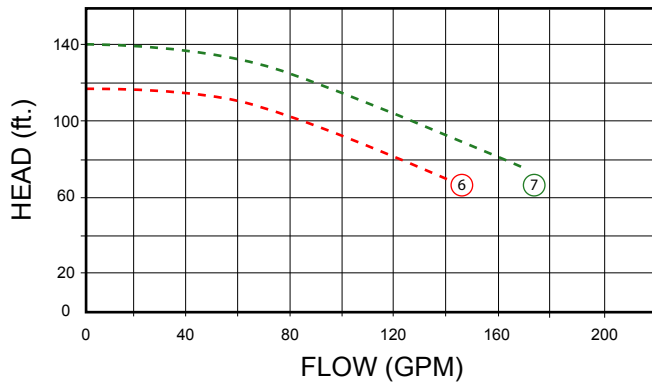
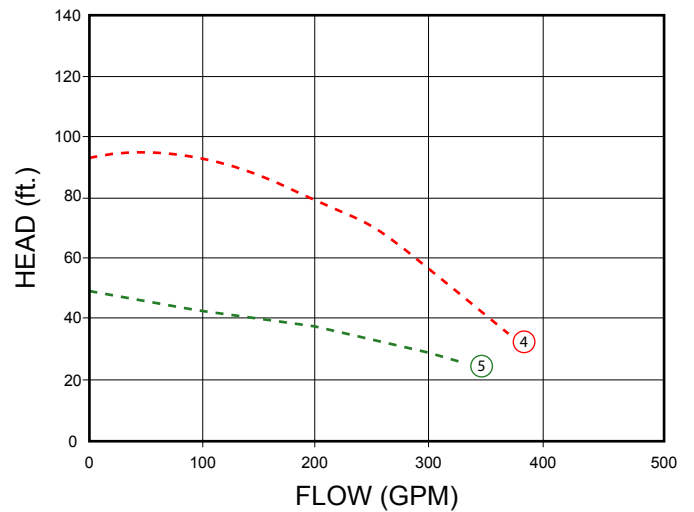
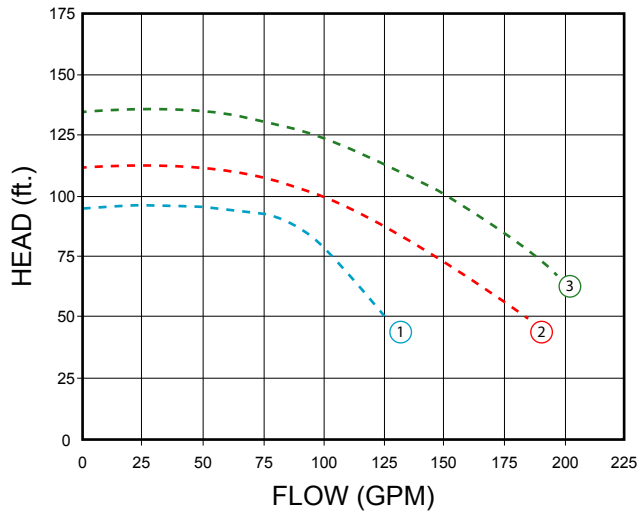
Series 'FE'



Bulletin P-520



Flow Curves per Pump Model





MEGA-FLO[®] | FILTRATION SYSTEM

Standard Configurations

Cartridge Chamber w/ Double Mechanical Seal					CURVE #
FLOW (gph)	Sq Ft	HP	MATERIAL	MODEL	
7,500	231	7.5	PP/EPDM	PPJ66HED575	7
14,000	231	10	PP/EPDM	PPJ66HFD210	9
21,000	231	15	PP/EPDM	PPJ66HFD315	10
7,500	273	7.5	CPVC/EPDM	CJ78HED575	7
14,000	273	10	CPVC/EPDM	CJ78HFD210	9
21,000	273	15	CPVC/EPDM	CJ78HFD315	10

Cartridge Chamber w/ Magnetic Drive Pump					CURVE #
FLOW (gph)	Sq Ft	HP	MATERIAL	MODEL	
6,000	231	5	PP/EPDM	PPJ66FE2550	1
11,000	231	10	PP/EPDM	PPJ66FE3410	3
18,000	231	15	PP/ETFE/EPDM	PPJ66UC438250	5
6,000	273	5	CPVC/EPDM	CJ78FE2550	1
11,000	273	10	CPVC/EPDM	CJ78FE3410	3
18,000	273	15	CPVC/ETFE/EPDM	CJ78UC438250	5

Disc Chamber w/ Double Mechanical Seal					CURVE #
FLOW (gph)	Sq Ft	HP	MATERIAL	MODEL	
7,500	70	7.5	PP/EPDM	PPJD70HED575	7
14,000	70	10	PP/EPDM	PPJD70HFD210	9
7,500	70	7.5	CPVC/EPDM	CJD70HED575	7
14,000	70	10	CPVC/EPDM	CJD70HFD210	9

Disc Chamber w/ Magnetic Drive Pump					CURVE #
FLOW (gph)	Sq Ft	HP	MATERIAL	MODEL	
6,000	70	5	PP/EPDM	PPJD70FE2550	1
11,000	70	10	PP/EPDM	PPJD70FE3410	3
14,000	70	10	ETFE/CPVC/PP	PPJD70UC326210	4
6,000	70	5	CPVC/EPDM	CJD70FE2550	1
11,000	70	10	CPVC/EPDM	CJD70FE3410	3
14,000	70	10	CPVC/ETFE/EPDM	CJD70UC326210	4

Order Information

Standard MEGA-FLO systems must include a cartridge or disc chamber, along with a pump.

CHAMBER MODEL	# of 30" CARTRIDGES	MATERIAL	Sq. FT.
Cartridge Chamber*			
CJ78	26	CPVC	273
CJ78 (X2)	52	CPVC	546
PPJ66	22	PP	231
PPJ66 (X2)	44	PP	462
Disc Chamber**			
CJD70	65	CPVC	70
CJD70 (X2)	130	CPVC	140
PPJD70	65	PP	70
PPJD70 (X2)	130	PP	140

+

PUMP MODEL	CURVE	GPH @ 60Hz	HP	RPM	MATERIAL
Magnetic Coupled Pump					
FE2550	1	6,000	5	3450	PP
FE3375	2	9,000	7.5	3450	PP
FE3410	3	11,000	10	3450	PP
UC326210	4	14,000	10	3450	ETFE
UC438250	5	18,000	5	1725	ETFE
Double Mechanical Seal					
HED450	6	6,000	5	3450	CPVC/PP
HED575	7	7,500	7.5	3450	CPVC/PP
HFD175	8	12,000	7.5	3450	CPVC/PP
HFD210	9	14,000	10	3450	CPVC/PP
HFD315	10	21,000	15	3450	CPVC/PP
HAD4310	11	30,000†	10	1725	CPVC

† 30,000 GPH is Achievable When Using Two Chambers.

* Maximum Flow Rate w/ Single Cartridge Chamber: 21,000 GPH.

** Maximum Flow Rate w/ Single Disc Chamber: 14,000 GPH.

CARBON CHAMBER MODEL	CANISTER QTY, SIZE	CAPACITY	MATERIAL
CC3	(3) 5" x 28"	21 lbs.	CPVC/PVC
CPP3	(3) 5" x 28"	19 lbs.	PP
CC7	(7) 5" x 28"	49 lbs.	CPVC/PVC
CPP7	(7) 5" x 28"	44 lbs.	PP

-

STARTER MODEL	PUMP PROTECTOR
SPB4	2R (seal) P20 (mag)

MODEL	OPTION
SL	SLURRY TANK
SV2	SUCTION VALVE
SV3	(2", 3", 4")
SV4	
DV3	DISCHARGE
P	PARALLEL
S	SERIES
V	VITON

Example Model Number:

chamber + pump - carbon - starter - pump protection

CJ78HED450 - CC3 - SPB4 - 2R

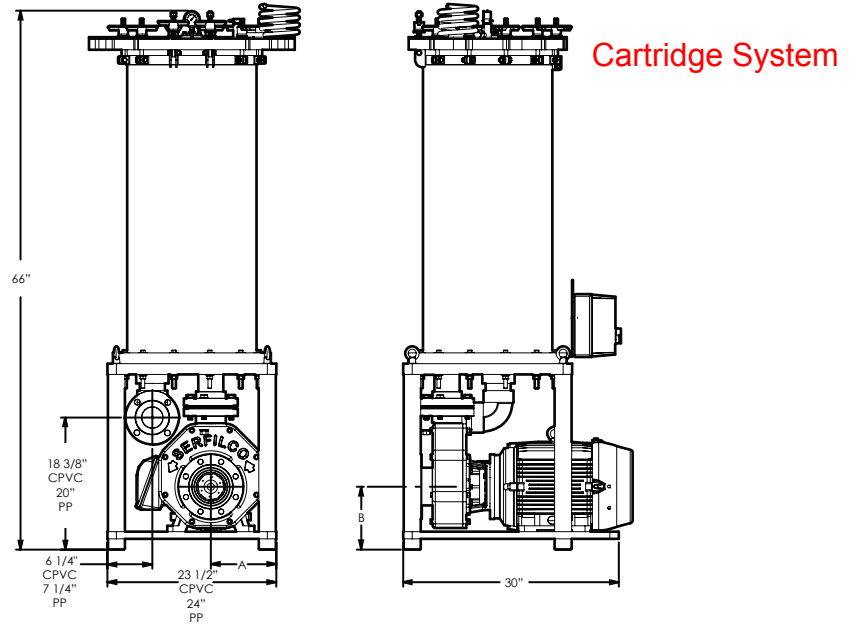
Additional options to be added to end of model number



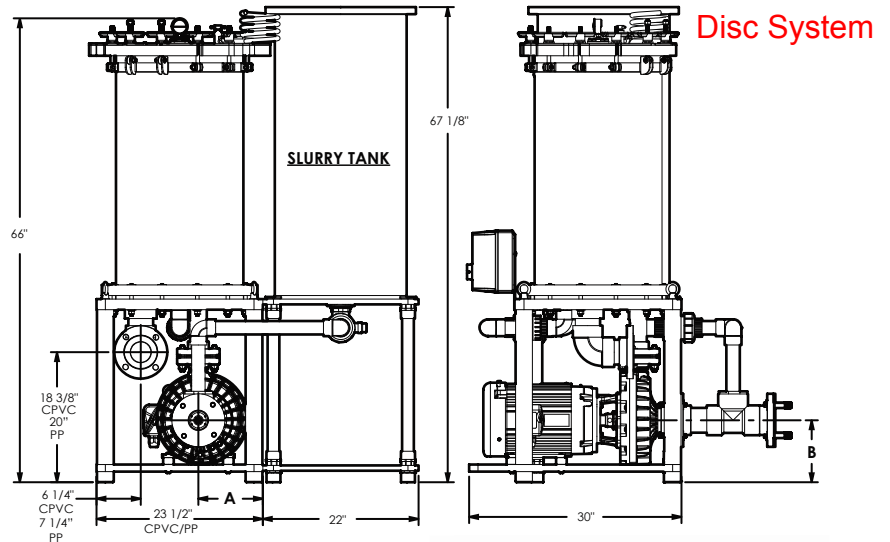
MEGA-FLO[®] | FILTRATION SYSTEM

Standard Configurations

POLY-PRO	PUMP / HP	"A" in.	"B" in.
	Magnetic Coupled Pump		
	FE2 / 5.0	12.86	7.5
	FE3 / 7.5	13.76	6.25
	FE3 / 10.0	13.76	6.25
	UC326 / 10.0	9.55	7.75
	UC438 / 5.0	9.55	10.75
	Double Mechanical Seal		
	HE / 5.0	12.30	7.0
	HE / 7.5	12.30	7.0
HF / 7.5	9.55	8.75	
HF / 10.0	9.55	8.75	
HF / 15.0	9.55	8.75	
HA / 10.0	9.55	10.75	



CPVC	PUMP / HP	"A" in.	"B" in.
	Magnetic Coupled Pump		
	FE2 / 5.0	12.42	7.5
	FE3 / 7.5	13.32	6.25
	FE3 / 10.0	13.32	6.25
	UC326 / 10.0	9.12	7.75
	UC438 / 5.0	9.12	10.75
	Double Mechanical Seal		
	HE / 5.0	11.87	7.0
	HE / 7.5	11.87	7.0
HF / 7.5	9.12	8.75	
HF / 10.0	9.12	8.75	
HF / 15.0	9.12	8.75	
HA / 10.0	9.12	10.75	

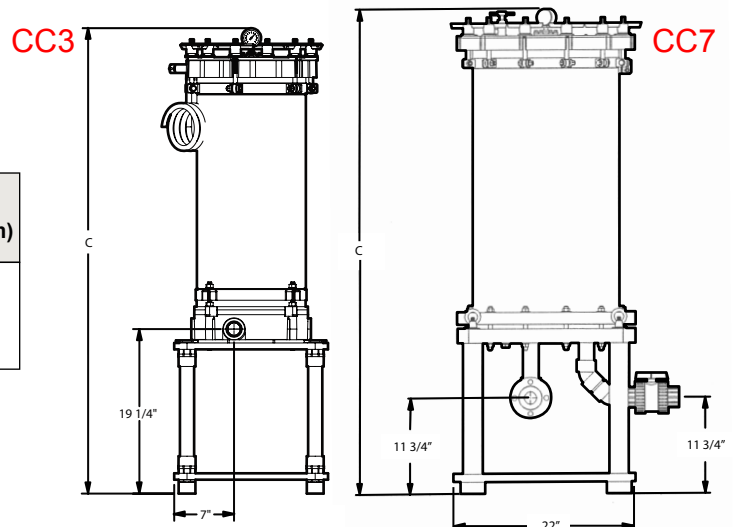


Carbon Purification Chambers:

CPVC chambers have PVC canisters.

PP chambers have PP canisters.

Chambers include flow control valve, EPDM elastomers, and all piping.



CARBON CHAMBER	CANISTER (Qty), SIZE	CAPACITY	MATERIAL	Dim. "C" in.	FLOW ² RATE (gpm)
CC3	(3) Ø5 x 28"	21 lbs.	CPVC/PVC	41-1/4	10
CPP3	(3) Ø5 x 28"	19 lbs.	PP	41-1/4	10
CC7	(7) Ø5 x 28"	49 lbs.	CPVC/PVC	59-3/4	23
CPP7	(7) Ø5 x 28"	44 lbs.	PP	59-3/4	23

¹ Stand alone component as shown

² Maximum recommended flow U.S. GPM