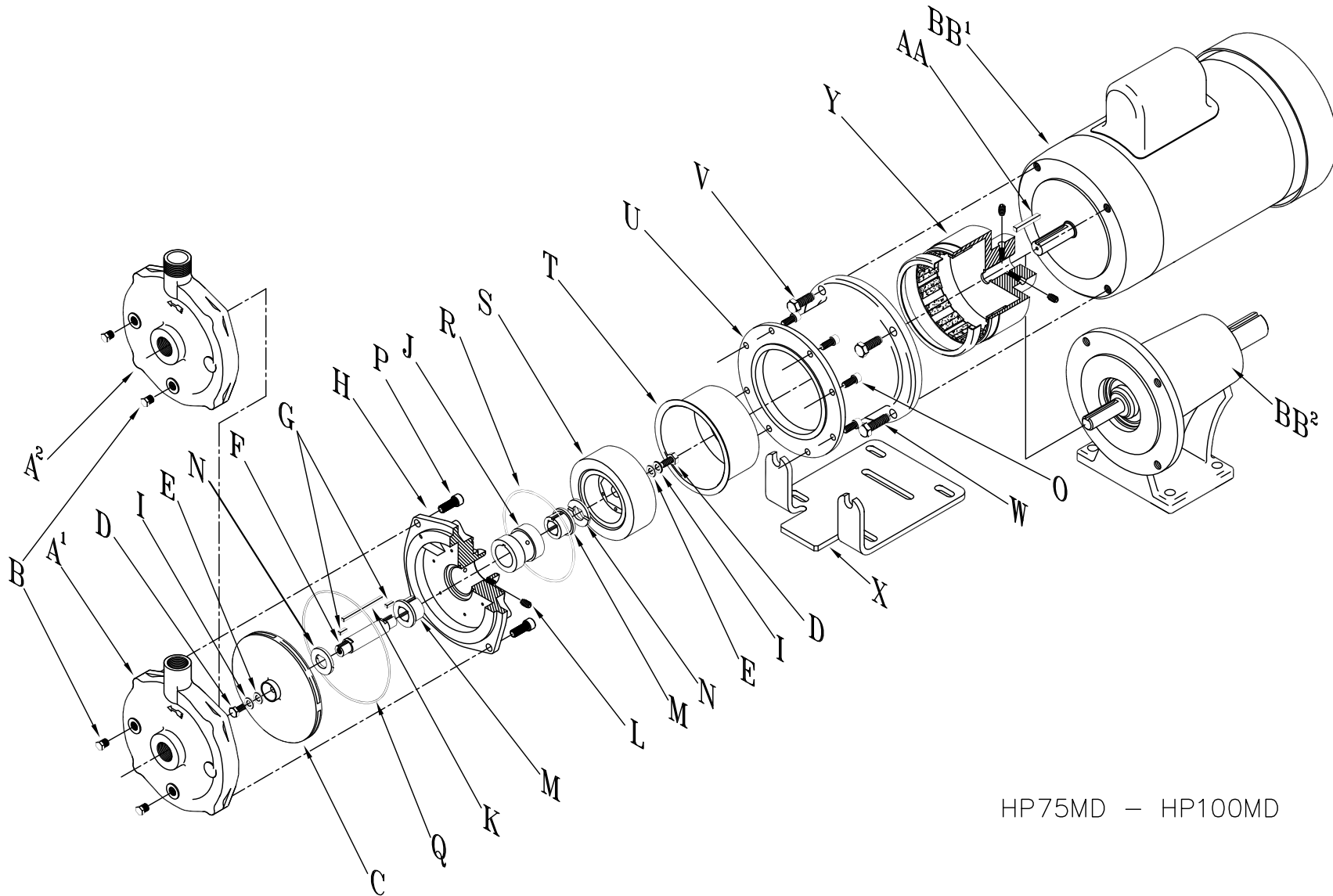


**PRICE® PUMP CO.**HP75/100SS Mag Drive Parts List

Key #	Description	Quantity	HP75SS:	HP100SS:
A.	Volute	1	0241 (A ¹)	0241-2 (A ²)
B.	Pipe Plug	2	0559	0559
C.	Impeller	1	3952	3952
D.	Impeller Lockdown Bolt	2	0596	0596
E.	Impeller Lockdown Washer	2	2423	2423
F.	Shaft			
	316SS (for carbon/ceramic bushings)	1	3695	3695
	Tungsten Coated (for sil carbide bushings)	1	3695-30	3695-30
G.	Shaft Key	2	2424	2424
H.	Separator Plate	1	3942	3942
I.	Vibration Washer	2	2344	2344
J.	Bushing Sleeve	1	3697	3697
K.	Bushing Key	1	2464	2464
L.	Setscrew	3	2452	2452
M.	Thrust Bushing			
	Carbon (std.)	2	3699	3699
	Silicon Carbide (opt.)	2	3630	3630
N.	Thrust Washer			
	Ceramic (std.)	2	3700	3700
	Silicon Carbide (opt.)	2	3629	3629
O.	Drive Housing Bolts	8	2466	2466
P.	Volute Bolts	4	0579	0579
Q.	Volute O-ring (Viton std.)	1	3565	3565
R.	Magnet Cup O-ring (Viton std.)	1	2465	2465
S.	Driven Magnet	1	3627	3627
T.	Magnet Cup	1	2454	2454
U.	Drive Housing	1	3626	3626
V.	Motor Bolts (Top)	2	0579	0579
W.	Motor Bolts (Bottom)	2	3083	3083
X.	Base Plate	1	8017	8017
Y.	Drive Magnet			
	5/8" Bore Magnet	1	2471	2471
	7/8" Bore Magnet	1	2471-1	2471-1
AA.	Motor Shaft Key	1	2472	2472
BB ¹ .	Electric Motor	1	Specify P/N	Specify P/N
BB ² .	Power Frame	1	5478	5478



PRICE PUMP CO.



HP75MD - HP100MD

Price® Pump Co.

21775 Eighth Street East * Sonoma, CA 95476-0329 * (707) 938-8441 * Fax (707) 938-0764