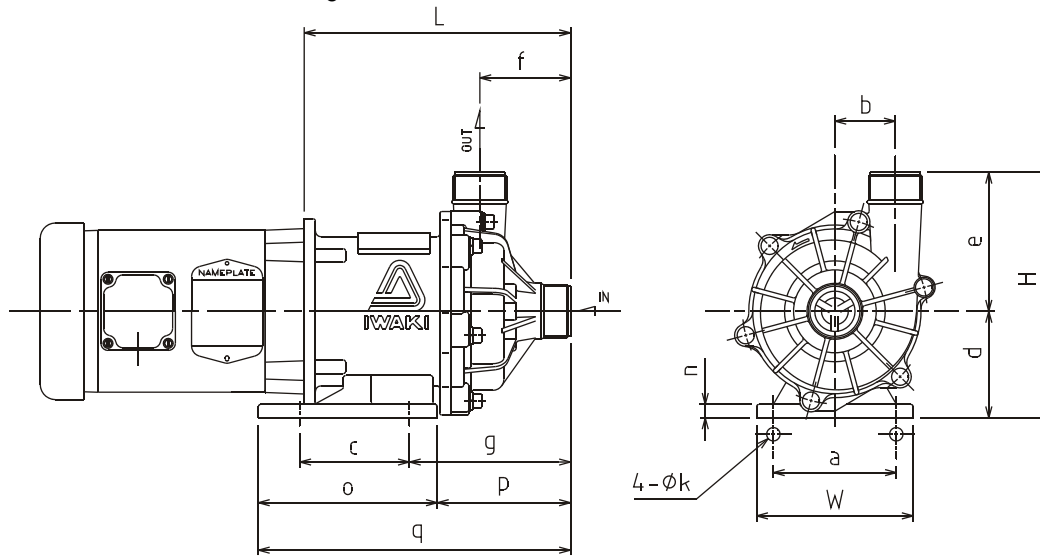


Model	MX-F400			
Mark	CFV	RFV	KKV	AFV
1 Front Casing	CFRETFE			
2 Impeller	CFRETFE			
3 Rear Casing	CFRETFE			
4 Magnet capsule	CFRETFE			
5 O-ring	FKM ¹			
6 Spindle	High Purity Alumina Ceramic	SIC	High Purity Alumina Ceramic	
7 Bearing	Carbon	PTFE	SIC	High Purity Alumina Ceramic
8 Rear thrust	CFRETFE			
9 Mouth ring	PTFE	SIC	PTFE	
10 Thrust/Liner ring	Alumina Ceramic	SIC	High Purity Alumina Ceramic	

1 EPDM and AFLAS® o-ring also available



Dimensions (in inches)

a	b	c	d	e	f	g	k	n	o	p	q	W	H	L
4.33	2.13	3.86	3.74	4.88	3.19	5.67	0.47	0.47	6.30	4.69	10.98	5.51	8.62	9.37

Specifications

Suction x Discharge	Max Discharge pressure	Max Flow	Specific gravity	Weight (less motor)
1.5" x 1.5"	V=43 FT X=34 FT	65 GPM	1.2	13.7 lbs

MX-F400 .75 HP

- Engineered to meet the most severe operating conditions.
- When fitted with a carbon bearing, the MX will allow for brief periods of dry running.
- Patented Self-radiating structure – Heat dispersion holes force the liquid to circulate around the spindle and bearing.

