



PRICE PUMP®

CL150

PUMP VOLUTE / IMPELLER MATERIALS

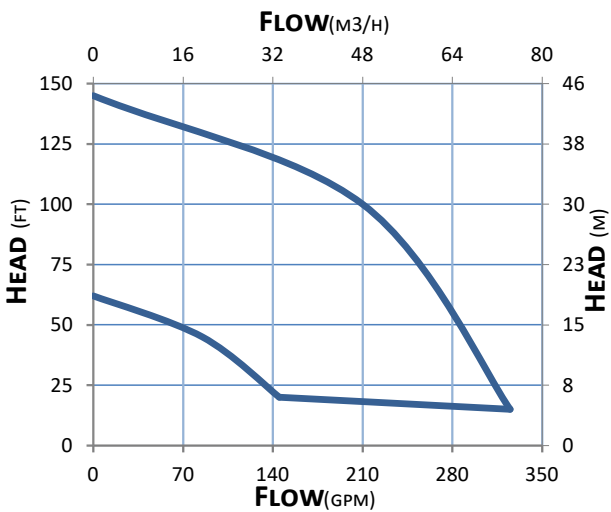
CL150 (SS) - 316SS/ 316SS

APPLICATIONS

- REVERSE OSMOSIS
- CAUSTICS
- DEIONIZED WATER PROCESSING
- FILTER SYSTEMS
- GLYCOLS
- ALKALIS
- ACIDS
- WASHERS



1-1/2" SEAL



STANDARD SPECIFICATIONS

- DISCHARGE 1-1/2" FNPT, SUCTION 2" FNPT
- MAXIMUM IMPELLER DIAMETER: 5.76"
- MOTOR: NEMA C FACE (MULTIPLE ENCLOSURES AVAILABLE)
- PUMP ENERGY INDEX: .917-.932

MECHANICAL SEAL TYPES

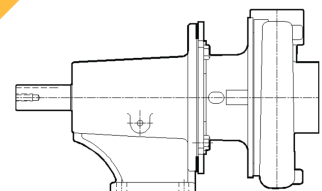
- SINGLE, 1-1/2" TYPE 21 VITON, CARBON vs. CERAMIC
- NOTE: ADDITIONAL SEAL OPTIONS AVAILABLE
- O-RING: VITON(STD); BUNA AND NEOPRENE OPTIONAL

FEATURES

- PUMP DESIGN – COMPACT, CLOSE COUPLED
- TEFLON SEAL – TYPE 9 AVAILABLE
- FLUSH OPTIONS – EXTERNAL RECIRCULATING

OPTIONAL CONFIGURATIONS

- AIR MOTOR: UP TO 2-1/2 HP
- VERTICAL MOUNTING
- POWER FRAME MOUNTING
- LONG-COUPLED MOUNTING



2203 SMEED PARKWAY CALDWELL, ID 83605

MAIN (208) 402-6871

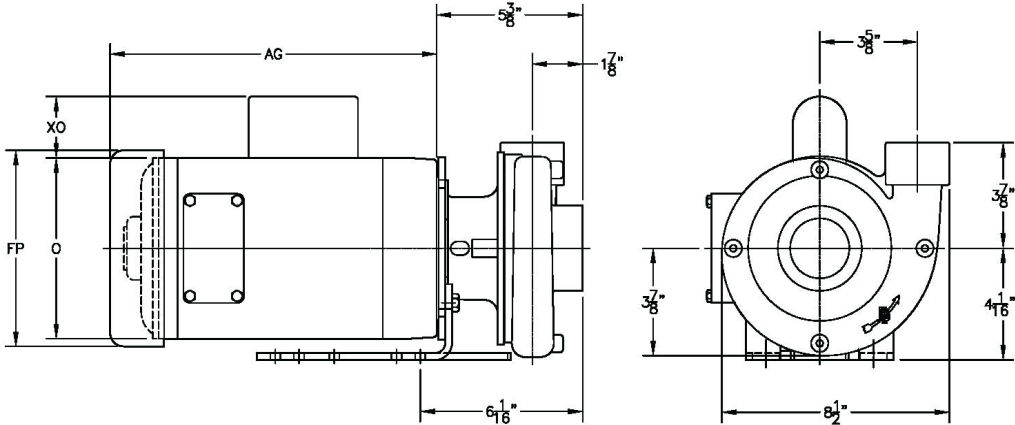
TOLL FREE (800) 345-7867

EMAIL SALES@PRICEPUMP.COM

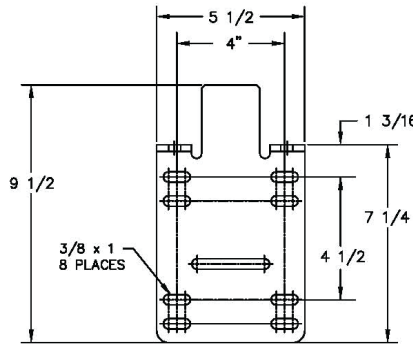
PRICEPUMP.COM



CL150



MOTOR END DIMENSIONS						
HP	RPM	FRM	AG	FP	O	XO
1/4	1800	56C	7 3/4	6 1/8	5 3/8	2 1/16
1/3	1800	56C	8 1/4	6 1/8	5 3/8	2 1/16
1/2	1800	56C	8 3/4	6 1/8	5 3/8	2 1/16
1/3	3600	56C	8 1/2	6 1/8	5 3/8	2 1/16
1/2	3600	56C	8 3/4	6 1/8	5 3/8	2 1/16
3/4	3600	56C	9 1/4	6 1/8	5 3/8	2 1/16
1	3600	56C	9 3/4	6 1/8	5 3/8	2 1/16
1-1/2	3600	56C	10 1/2	7 3/16	6 7/8	2 1/4
2	3600	56C	11 1/8	7 3/16	6 7/8	2 1/4
3	3600	56C	12 3/8	7 3/16	6 7/8	2 1/4



NOTE:
MOTOR DIMENSIONS WILL VARY BY MODEL AND MAKE,
DIMENSIONS ARE TO BE USED FOR REFERENCE ONLY.

DIMENSIONS

MATERIALS OF CONSTRUCTION	
CL150	SS
VOLUTE	316 STAINLESS STEEL
IMPELLER	316 STAINLESS STEEL
BRACKET	316 STAINLESS STEEL
O-RING	VITON (BUNA, NEOPRENE OPTIONAL)
FASTENERS	316 STAINLESS STEEL

TECHNICAL INFORMATION	
MAX FLOW	325 GPM (73.8 M3/HR)
MAX HEAD	145 FEET (44 M)
MIN. FLOW	40 GPM (9.1 M3/HR)
MAX SOLID SIZE	0.150" (3.81 MM)
MAX WORKING PRESSURE	(TYPE 8 SEAL) 325 PSI (22.4 BAR) (TYPE 9 SEAL) 350 PSI (24.1 BAR) (TYPE 21 SEAL) 150 PSI (10.3 BAR)
MAX TEMP.	300°F (149°C)*

*TEMPERATURE LIMITS ARE BASED ON STANDARD SEAL AND O-RING MATERIALS, AND WILL VARY ACCORDING TO THE LIQUID BEING PUMPED.