



PRICE PUMP®

LT25

PUMP VOLUTE / IMPELLER MATERIALS

LT25 (AB) – BRONZE / BRONZE

LT25 (SF) – BRONZE / 316SS

LT25 (SS) – 316SS / 316SS

APPLICATIONS

DEIONIZED WATER

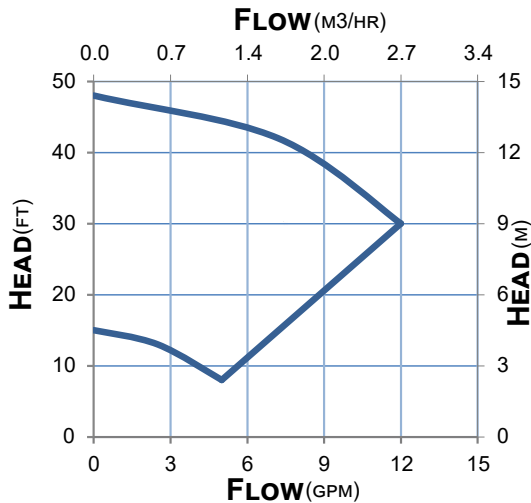
VAPOR DEGREASER

FILTER SYSTEMS

WATER TREATMENT SYSTEMS

CIRCULATION / FILTRATION

ALKALINE SOLUTIONS



STANDARD SPECIFICATIONS

LT25 DISCHARGE 1/4" FNPT, SUCTION 1/2" FNPT

LT25V DISCHARGE 1/4" FNPT, SUCTION 1/2" FNPT

MAXIMUM IMPELLER DIAMETER: 3.34"

STUB SHAFT: 316SS

MOTOR: NEMA 42C FOOTED (MULTIPLE ENCLOSURES AVAILABLE)

MECHANICAL SEAL TYPES

SINGLE, 5/8" TYPE 21 VITON, CARBON VS. CERAMIC

NOTE: ADDITIONAL SEAL OPTIONS AVAILABLE

GASKET: (AB, SF) SYNTHETIC FIBER, (SS) TEFLON

OPTIONAL CONFIGURATIONS

AIR MOTOR: UP TO 1/3 HP

VERTICAL MOUNTING

POWER FRAME MOUNTING

LONG-COUPLED MOUNTING

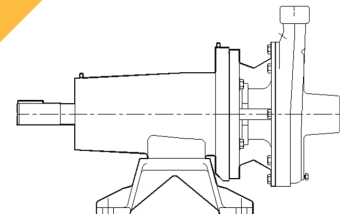
FEATURES

PUMP DESIGN – COMPACT, CLOSE COUPLED

DOUBLE SEAL – TYPE 21 AVAILABLE

FLUSH OPTIONS – RECIRCULATING & INTERNAL

STUB SHAFT – REPLACEABLE 316SS SHAFT



2203 SMEED PARKWAY CALDWELL, ID 83605

MAIN (208) 402-6871

TOLL FREE (800) 345-7867

EMAIL SALES@PRICEPUMP.COM

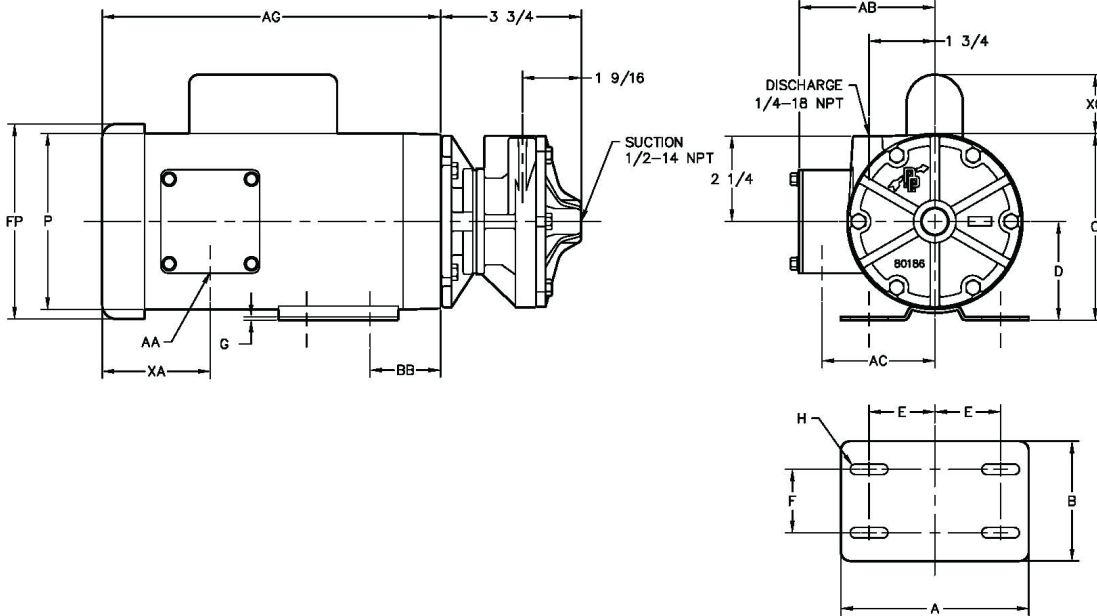
PRICEPUMP.COM





PRICE PUMP®

LT25



MOTOR FRAME DIMENSIONS

P/N	TYPE	PH	HP	AA	A	B	D	E	F	G	H (SLOT)	O	P	AB	AC	AG	BB	FP	XA	XO
1438	OPEN, DRIP PROOF	1/60	1/3	1/2-14 NPT	5 3/4	4	3	2 1/8	2 3/4	5/64	1 x 11/32	5 13/16	5 5/8	N/A	1 1/8	10	2 1/8	N/A	1 1/16	1 1/2
1608	TOTALLY-ENCLOSED	1/60	1/8					1 3/8						4 11/16		8 1/4				
1439	TOTALLY-ENCLOSED	1/60	1/3	7/8 HOLE	5	3 3/16	2 5/8	1 3/4	1 11/16	1/8	1 x 9/32	5	4 5/8		3	9 1/4	1 7/8	5	3 1/8	9/16
1440	TOTALLY-ENCLOSED	3/60	1/3											4 1/16						N/A
1441	EXPLOSION PROOF	1/60	1/2													12 1/8	2 3/8	N/A	2 3/8	N/A
1442	EXPLOSION PROOF	3/60	1/3	3/4 NPT	5 3/4	4	3	2 1/8	2 3/4	1/8	1 x 11/32	6 1/8	5 3/4	6 1/2	5	11 1/8				N/A

- NOTES:**
 1. MOTOR FRAMES WILL VARY IN LOOK, PER PART NUMBER.
 2. MOTOR P/N INDICATES PRICE PUMP CO. PART NUMBER, AND HAS NO SIMILARITY WITH MANUFACTURER PART NUMBERS.
 3. ALL DIMENSIONS HAVE BEEN ROUNDED TO THE NEAREST 1/8 INCH.

DIMENSIONS

Materials of Construction			
LT	AB	SF	SS
Volute	Bronze	Bronze	316SS
Impeller	Bronze	316SS	316SS
Bracket	Bronze	Bronze	316SS
Gasket	Syn. Fiber	Syn. Fiber	Teflon®
Fasteners	18-8 Stainless Steel		

Technical Information	
Max Flow	12 GPM (2.7 m3/hr)
Max Head	48 feet (14.6 m)
Min. Flow	0.5 GPM (0.1 m3/hr)
Max Solid Size	0.120" (3.05 mm)
Max Working Pressure	(Type 8 Seal)
	(Type 9 Seal)
	(Type 21 Seal)
	(Type 2106 Seal)
Max Temp.	325 PSI (22.4 bar) 350 PSI (24.1 bar) 150 PSI (10.3 bar) 150 PSI (10.3 bar) 300°F (149°C)*

* TEMPERATURE LIMITS ARE BASED ON STANDARD SEAL AND GASKET MATERIALS, AND WILL VARY ACCORDING TO THE LIQUID BEING PUMPED.



2203 SMEED PARKWAY CALDWELL, ID 83605

MAIN
(208) 402-6871

TOLL FREE
(800) 345-7867

EMAIL
SALES@PRICEPUMP.COM

PRICEPUMP.COM

