



CD 100/150 SS Parts List

PRICE® PUMP CO.

CDSS plist.doc rev. 10.1

Key #	Description	Quantity	CD100 Part #	CD150 Part #
A.	Impeller **	1	2448- (specify dia.)	2412- (specify dia.)
B.	Volute	1	0247	2411-0
C.	Volute Bolts	8	0917	0917
D.	1/8" Pipe Plugs	2	0559	0559
E.	Bracket	1	0972	0972
F.	Base Plate	1	0197	0197
G ¹ .	O-ring	1		
	Fluorocarbon (std.)		-----	3070
	Buna		-----	3074
	PTFE		-----	3071
	Neoprene		-----	3072
	EPR		-----	3073
G ² .	Gasket, PTFE (for CD100SS Only)	1	0507	-----
H.	Shaft w/ setscrews w/ 5/8" ID	1	2421-1	2421-1
	Shaft w/ setscrews w/ 7/8" ID	1	2422-1	2422-1
J.	Slinger (5/8" shaft only)	1	0522	0522
	Seal with Seat			
K ¹	T.21 Fluorocarbon (std.)	1	0553	0553
K ²	T.9 Single PTFE (optional)	1	1150	1150
K ³	Double Seal/Seat (optional, kit contains 2 seals)			
	T.21 Fluorocarbon	1	5002	5002
	T.21 Neoprene	1	5004	5004
	T.21 EPR	1	5005	5005
	Double Seal Plate	1	0973	0973
	Plate Gasket, PTFE	1	0974	0974
	Plate Cover Bolts	3	0256	0256
L.	Motor bolts	2	0673	0673
M.	Impeller Lockdown Bolt	1	0575	0575
N.	Impeller Lockdown Washer	1	2423	2423
P.	Impeller Lock Washer	2	2344	2344
Q.	Impeller Lockdown Key	1	2424	2424
R.	T.21 Quench Opt (For 5/8" shaft pumps only)	1	0891	0891
S.	Motor bolts	2	0673	0673
T ¹	Motor – Specify P/N	1	Specify P/N	Specify P/N
T ²	Power Frames			
	For use with 5/8" ID Shaft	1	5478	5478
	For use with 7/8" ID Shaft	1	5501	5501
T ³	Air Motor - Specify P/N	1	Specify P/N	Specify P/N
CD - Repair Parts Kits				
	For 5/8" shaft	1	2205	2205
	For 7/8" shaft	1	2205-1	2205-1

(Includes: Shaft w/ SS Slinger (5/8" shaft only), Impeller Lockdown Bolt and Key, 2ea. Impeller Lock washers)

Must select Gasket or O-ring separately, see part numbers listed above.

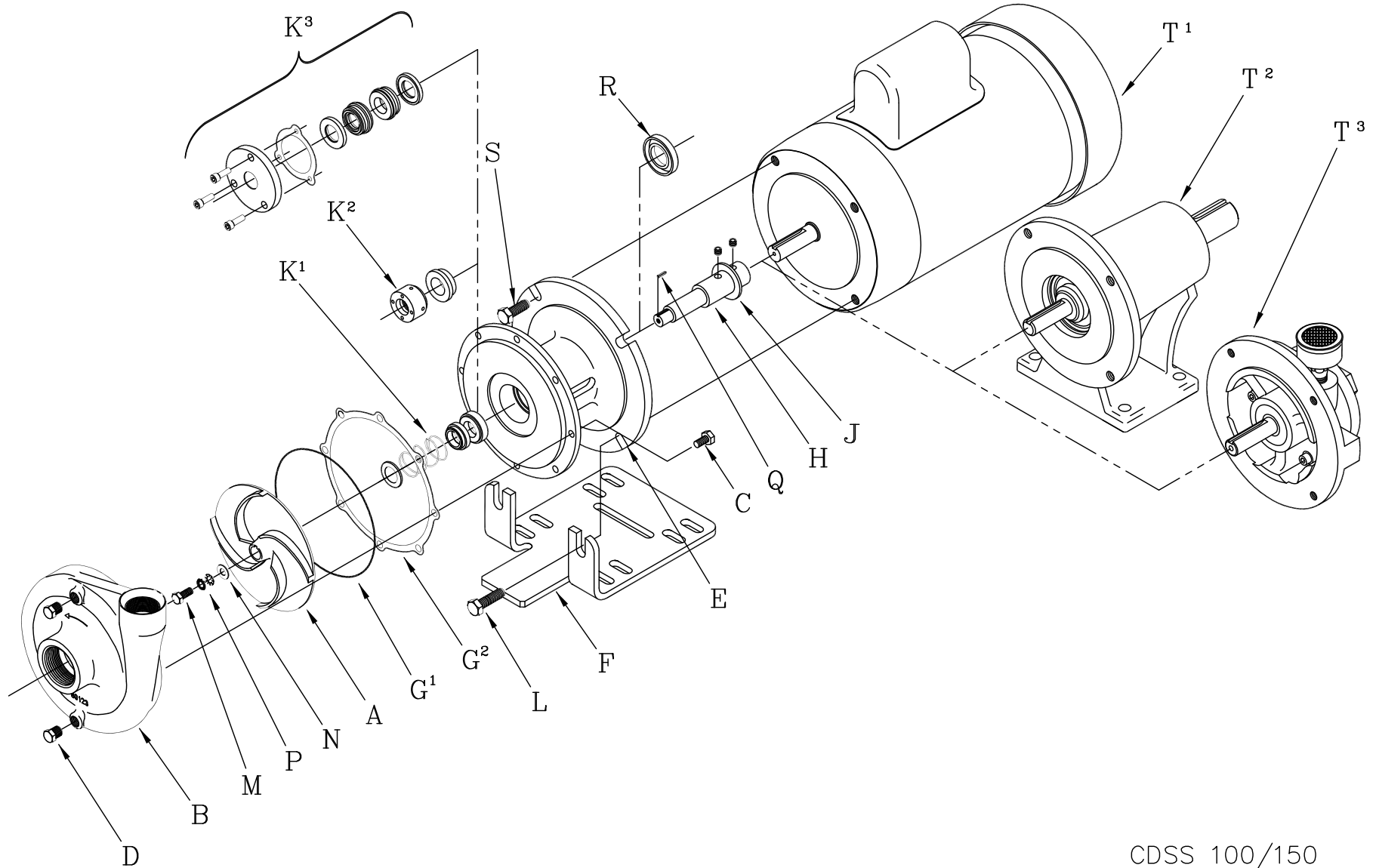
** Double seal pumps use double seal impellers, for example; P/N 2448DS - (specify dia.)

Price® Pump Co.

21775 Eighth Street East * Sonoma, CA 95476-0329 * (707) 938-8441 * Fax (707) 938-0764



PRICE PUMP CO.



CDSS 100/150

Price[®] Pump Co.

21775 Eighth Street East * Sonoma, CA 95476-0329 * (707) 938-8441 * Fax (707) 938-0764