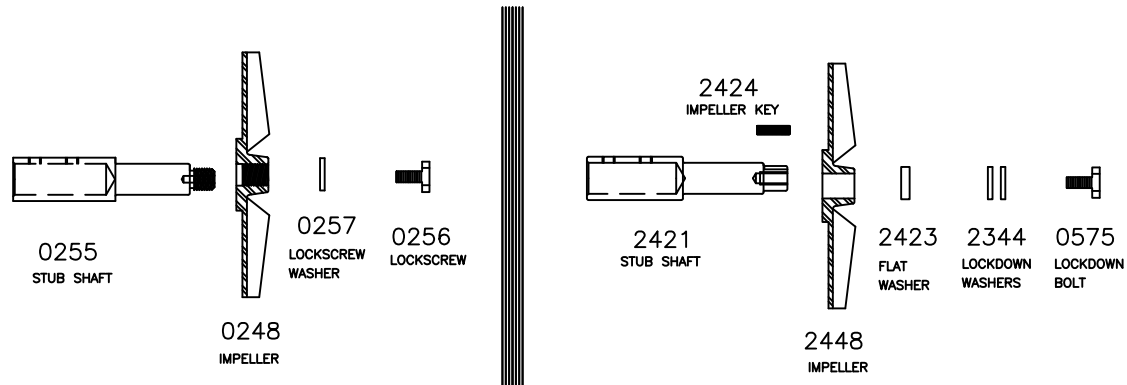


SC100 TO CD100SS

DIFFERENCES : IMPELLER/STUB SHAFT IS THREADED ON SC, BUT IS KEYPED ON CD



NEED TO BUY IMPELLER, STUB SHAFT, KEY AND LOCKDOWN BOLTS/WASHERS

EC100/E100B TO CD100 (BRONZE OR IRON)

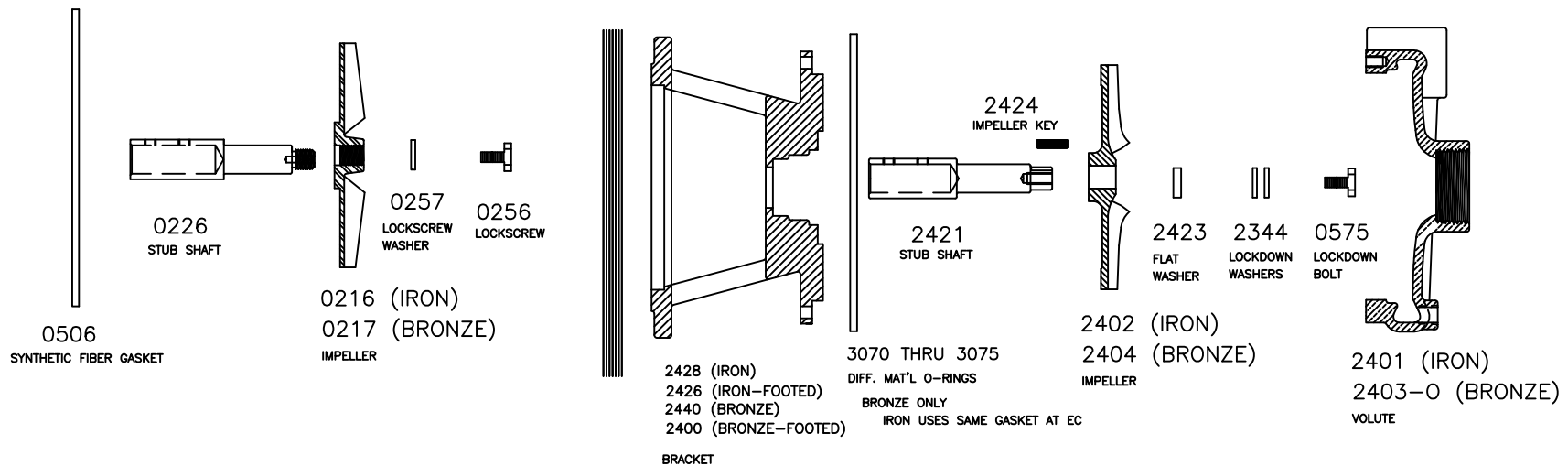
DIFFERENCES : IMPELLER/STUB SHAFT IS THREADED ON SC, BUT IS KEYPED ON CD

IMPELLER VANES HAVE DIFFERENT GEOMETRY

VOLUTES HAVE DIFFERENT GEOMETRY TO MATCH IMPELLER ON CD.

BRACKETS ARE MACHINED DIFFERENT TO MATCH VOLUTE & IMPELLER ON CD.

VOLUTES USE AND O-RING ON THE CD INSTEAD OF A GASKET (BRONZE ONLY!!!)



NEED TO BUY IMPELLER, STUB SHAFT, KEY, LOCKDOWN BOLTS/WASHERS, BRACKET AND VOLUTE.

BRONZE CD PUMPS NEED AN O-RING INSTEAD OF THE GASKET