



CL150SS Parts List (182/184TC)

PRICE® PUMP CO.

CL150SS (182/184TC) plist.doc rev. C

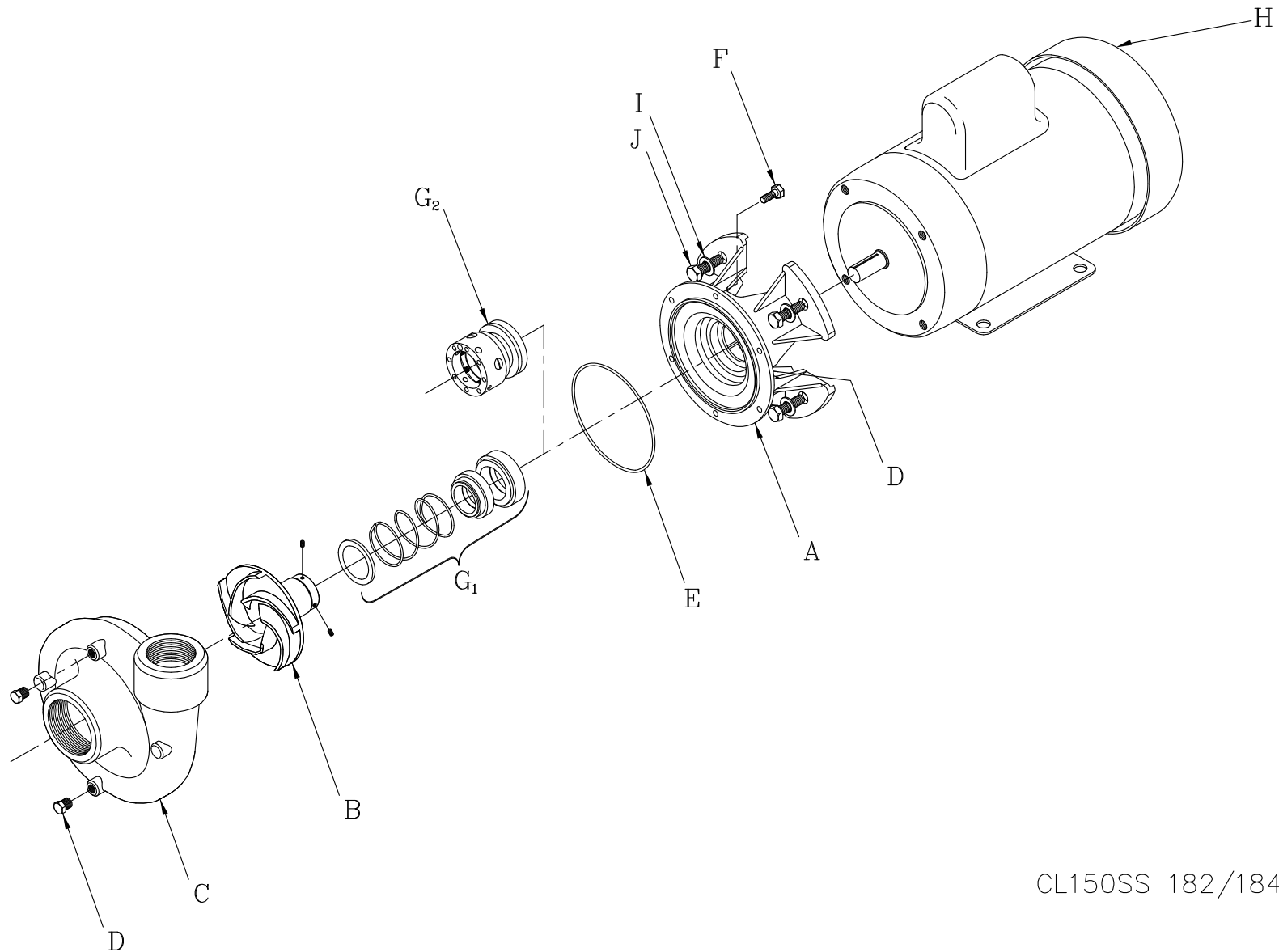
Key #	Description	Quantity	316SS
A.	Bracket	1	3501
B.	Impeller w/ set screws	1	3502-dia
C.	Volute	1	3503-0
D.	1/8" Pipe Plugs	3	0559
E.	O-ring	1	
	Viton (std.)		0865
	Teflon (opt.)		0866
	EPR (opt.)		0867
	Buna (opt.)		0868
	Neoprene (opt.)		0869
F.	Volute bolt	6	0917
G ¹ .	T.21 Seal / Seat, Viton (std.)	1	3516
G ² .	T.9 Seal / Seat, Teflon (opt.)	1	3567
H.	Motor	1	Specify P/N
I.	Washer	4	1199
J.	Motor bolt	4	1189

Price® Pump Co.

21775 Eighth Street East * Sonoma, CA 95476-0329 * (707) 938-8441 * Fax (707) 938-0764



PRICE PUMP CO.



CL150SS 182/184TC

Price® Pump Co.

21775 Eighth Street East * Sonoma, CA 95476-0329 * (707) 938-8441 * Fax (707) 938-0764