



# PRICE PUMP®

## TYPE OH

### PUMP VOLUTE / IMPELLER MATERIALS

OH75 (CP) – CPVC / CPVC

OH75 (PF) – PVDF / PVDF

### APPLICATIONS

PHOTO PROCESSING

METAL ETCHING

ACID TRANSFER

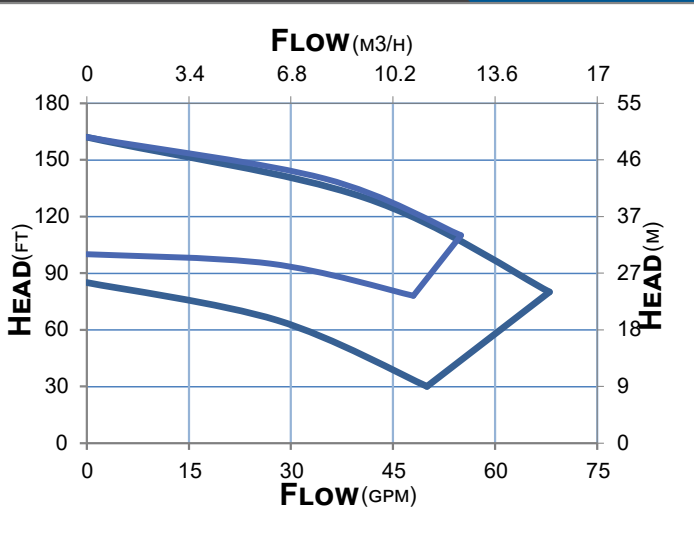
WATER TREATMENT SYSTEMS

FUME SCRUBBING FILTERING

D.I. WATER

CHILLERS

SUMP PUMPING



### STANDARD SPECIFICATIONS

OH75 DISCHARGE 3/4" MNPT, SUCTION 1" MNPT

OH75(CP) MAXIMUM IMPELLER DIAMETER: 6.12"

OH75(PF) MAXIMUM IMPELLER DIAMETER: 6.03"

MOTOR: NEMA C FACE (MULTIPLE ENCLOSURES AVAILABLE)

PUMP ENERGY INDEX: .795-.855

### MECHANICAL SEAL TYPES

SINGLE, 1" TYPE 36 VITON, CARBON VS. CERAMIC

NOTE: ADDITIONAL SEAL OPTIONS AVAILABLE

BRACKET MATERIAL: (CP) CPVC, (PF) PVDF

O-RING: VITON (EPR OPTIONAL)

### OPTIONAL CONFIGURATIONS

POWER FRAME MOUNTING

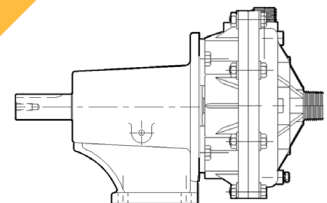
LONG-COUPLED MOUNTING

### FEATURES

PUMP DESIGN – COMPACT, CLOSE COUPLED

NON-METALLIC WITH A TYPE 36 SEAL

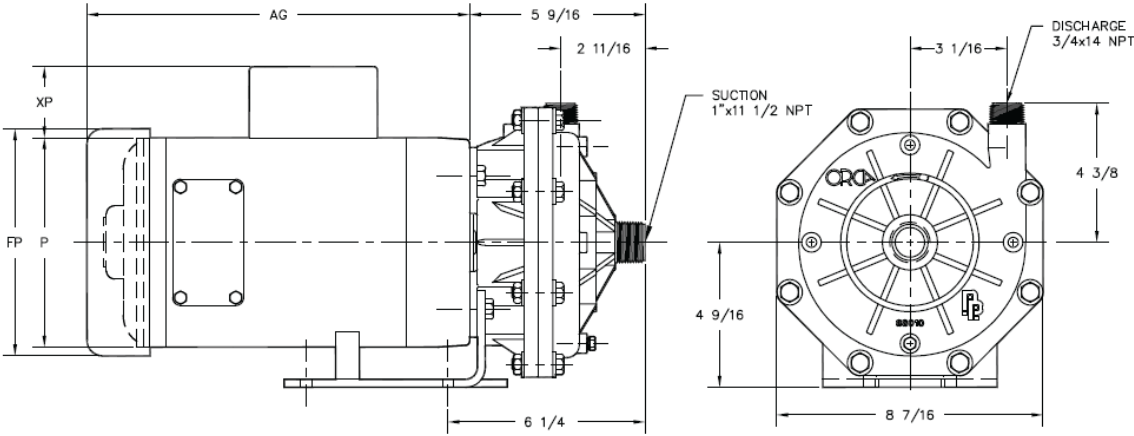
FLUSH OPTIONS – RECIRCULATING & INTERNAL





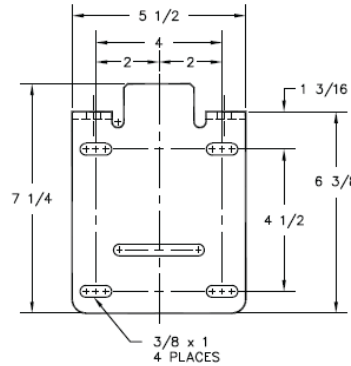
# PRICE PUMP

## TYPE OH



MOTOR END DIMENSIONS						
HP	RPM	FRM	AG	FP	P	XP
1/4	1800	56C	7 3/4	7 3/16	6 7/8	2 1/16
1/3	1800	56C	8 1/4	7 3/16	6 7/8	2 1/16
1/2	1800	56C	8 3/4	7 3/16	6 7/8	2 1/16
1/3	3600	56C	8 1/2	7 3/16	6 7/8	2 1/16
1/2	3600	56C	8 3/4	7 3/16	6 7/8	2 1/16
3/4	3600	56C	9 1/4	7 3/16	6 7/8	2 1/16
1	3600	56C	9 3/4	7 3/16	6 7/8	2 1/16
1 1/2	3600	56C	10 1/2	7 3/16	6 7/8	2 1/16
2	3600	56C	11 1/8	7 3/16	6 7/8	2 1/16
3	3600	56C	12 3/8	7 3/16	6 7/8	2 1/16

**NOTE:**  
MOTOR DIMENSIONS WILL VARY BY MODEL AND MAKE,  
DIMENSIONS ARE TO BE USED FOR REFERENCE ONLY.



**NOTES:**  
1. PUMP MATERIAL: CHLORINATED POLYVINYL CHLORIDE (CPVC) OR POLYVINYLIDENE FLUORIDE (PVDF).  
2. ALL DIMENSIONS ARE ROUNDED TO THE NEAREST 1/8 INCH.

## DIMENSIONS

MATERIALS OF CONSTRUCTION		
OH75	CP	PF
<b>VOLUTE</b>	CPVC	PVDF
<b>IMPELLER</b>	CPVC	PVDF
<b>BRACKET</b>	CPVC	PVDF
<b>O-RING</b>	VITON®	VITON®
<b>FASTENERS</b>	316SS	316SS

TECHNICAL INFORMATION	
<b>MAX FLOW (OH75CP)</b>	68 GPM (15.4 M3/HR)
<b>MAX FLOW (OH75PF)</b>	55 GPM (12.5 M3/HR)
<b>MAX HEAD</b>	160 FEET (48.8 M)
<b>MIN. FLOW</b>	7 GPM (1.6 M3/HR)
<b>MAX SOLID SIZE</b>	0.150" (3.81 MM)
<b>MAX WORKING PRESSURE</b>	(TYPE 21 SEAL) 150 PSI (10.3 BAR) (TYPE 36 SEAL) 125 PSI (8.6 BAR)
<b>MAX TEMP. (OH75CP)</b>	160°F (71°C)*
<b>MAX TEMP. (OH75PF)</b>	260°F (127°C)*

\* TEMPERATURE LIMITS ARE BASED ON STANDARD SEAL AND GASKET MATERIALS, AND WILL VARY ACCORDING TO THE LIQUID BEING PUMPED.

