



PRICE PUMP®

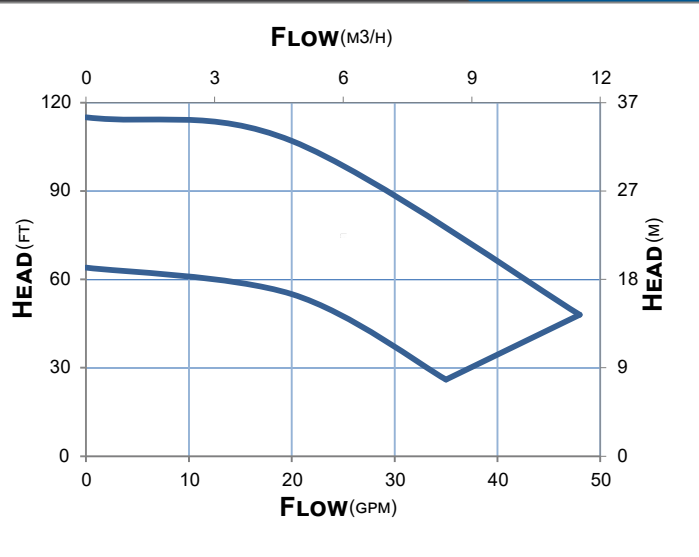
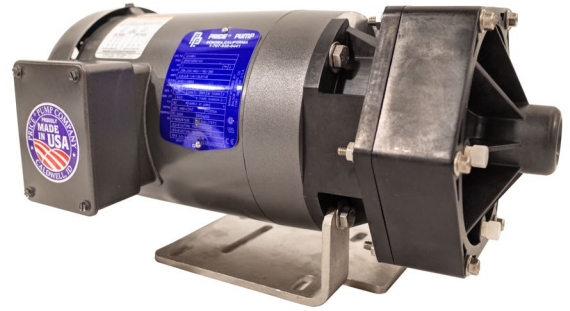
RP75

PUMP VOLUTE / IMPELLER MATERIALS

RP75 (NN) – NORYL® (30% GLASS FILLED) / CPVC

APPLICATIONS

- MARINE R.O. SYSTEMS
- WATER TREATMENT SYSTEMS
- FUME SCRUBBING FILTERING
- D.I. WATER
- CHILLERS
- FINISHED CHEMICAL TRANSFER



STANDARD SPECIFICATIONS

- DISCHARGE 3/4" FNPT, SUCTION 3/4" FNPT
- MAXIMUM IMPELLER DIAMETER: 5.12"
- MOTOR: NEMA C FACE (MULTIPLE ENCLOSURES AVAILABLE)
- PUMP ENERGY INDEX: .845-.940

MECHANICAL SEAL TYPES

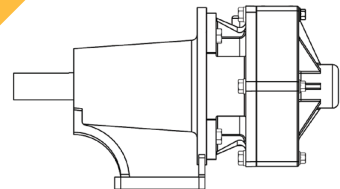
- SINGLE, 1" TYPE 36 EPR, CARBON VS. CERAMIC
- NOTE: TYPE 21 SEAL AVAILABLE
- BRACKET MATERIAL: NORYL®
- O-RING: EPR (VITON® OPTIONAL)

OPTIONAL CONFIGURATIONS

- POWER FRAME MOUNTING
- LONG-COUPLED MOUNTING

FEATURES

- PUMP DESIGN – COMPACT, CLOSE COUPLED
- PUMP BODY – NON-METALLIC
- PROTECTIVE IMPELLER- DRY MOTOR SHAFT
- FLUSH OPTIONS – RECIRCULATING & INTERNAL



2203 SMEED PARKWAY CALDWELL, ID 83605

MAIN (208) 402-6871

TOLL FREE (800) 345-7867

EMAIL SALES@PRICEPUMP.COM

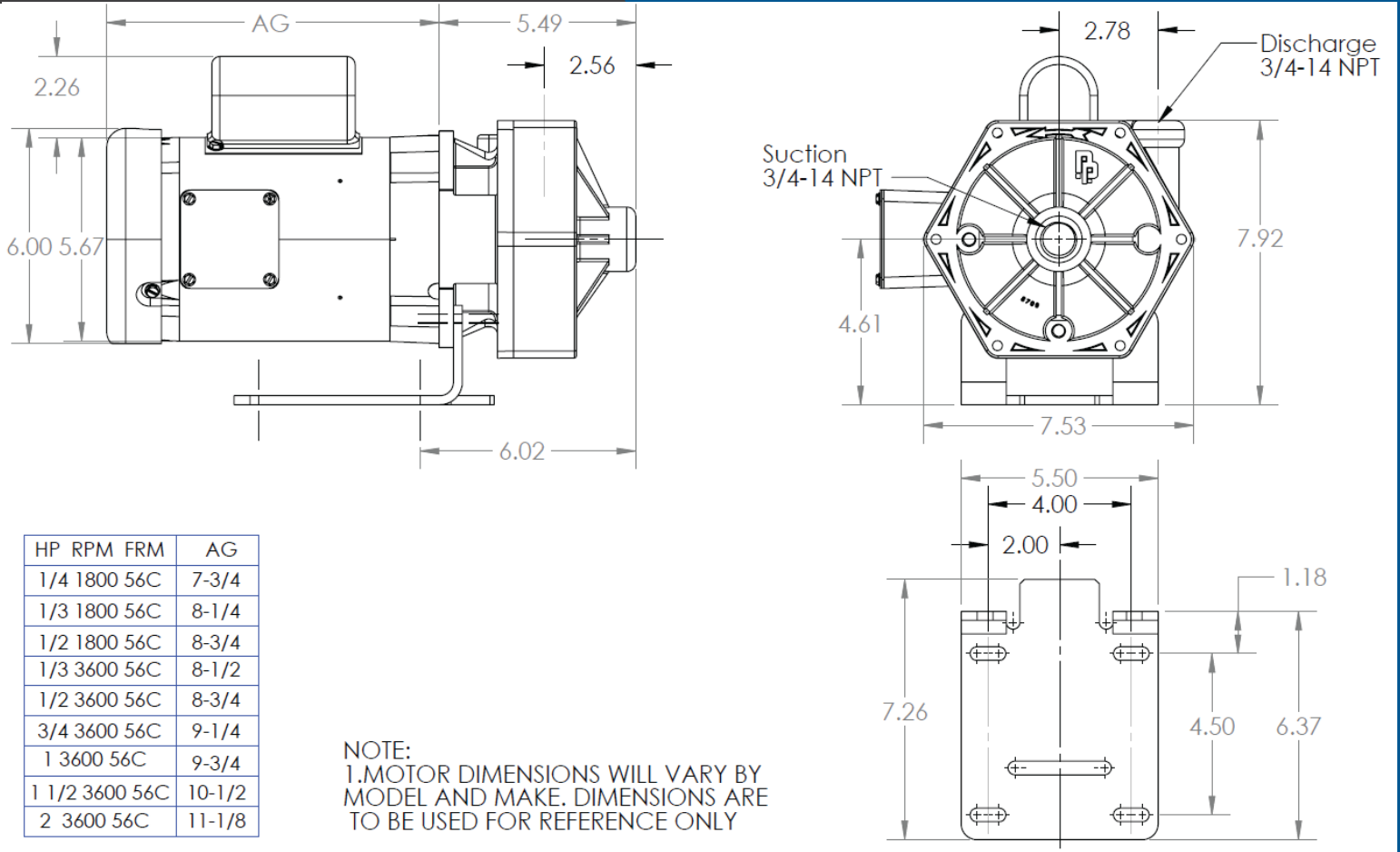
PRICEPUMP.COM





PRICE PUMP

RP75



HP	RPM	FRM	AG
1/4	1800	56C	7-3/4
1/3	1800	56C	8-1/4
1/2	1800	56C	8-3/4
1/3	3600	56C	8-1/2
1/2	3600	56C	8-3/4
3/4	3600	56C	9-1/4
1	3600	56C	9-3/4
1 1/2	3600	56C	10-1/2
2	3600	56C	11-1/8

NOTE:
1. MOTOR DIMENSIONS WILL VARY BY MODEL AND MAKE. DIMENSIONS ARE TO BE USED FOR REFERENCE ONLY

DIMENSIONS

MATERIALS OF CONSTRUCTION	
RP75	NN
VOLUTE	NORYL®
IMPELLER	CPVC
BRACKET	NORYL®
O-RING	EPR
FASTENERS	STAINLESS STEEL

TECHNICAL INFORMATION	
B.E.P FLOW	37 GPM (8.40 M ³ /HR)
MAX RUNOUT FLOW	44 GPM (10.0 M ³ /HR)
MAX HEAD	110 FEET (33.5 M)
MIN. FLOW	2 GPM (1.1 M ³ /HR)
MAX SOLID SIZE	0.150" (3.81 MM)
MAX WORKING PRESSURE	(TYPE 21 SEAL) OR (TYPE 36 SEAL) 115 PSI (7.93 BAR) 75 PSI (5.2 BAR)
MAX TEMP. (RP75NN)	160°F (71°C)*

* TEMPERATURE LIMITS ARE BASED ON STANDARD SEAL AND GASKET MATERIALS, AND WILL VARY ACCORDING TO THE LIQUID BEING PUMPED.



2203 SMEED PARKWAY CALDWELL, ID 83605

MAIN (208) 402-6871

TOLL FREE (800) 345-7867

EMAIL SALES@PRICEPUMP.COM

PRICEPUMP.COM

