



# PRICE PUMP®

## TYPE F/P

### PUMP VOLUTE / IMPELLER MATERIALS

- (AI) – CAST IRON / CAST IRON
- (BF) – CAST IRON / BRONZE
- (AB) – BRONZE / BRONZE

### APPLICATIONS

- STREET SWEEPER PUMPS
- ENGINE COOLANT PUMPS
- CARPET CLEANERS
- BILGE PUMPS
- BAIT TANK PUMPS
- BRINE CIRCULATION
- CIRCULATION / FILTRATION
- GENERAL PURPOSE PUMPS

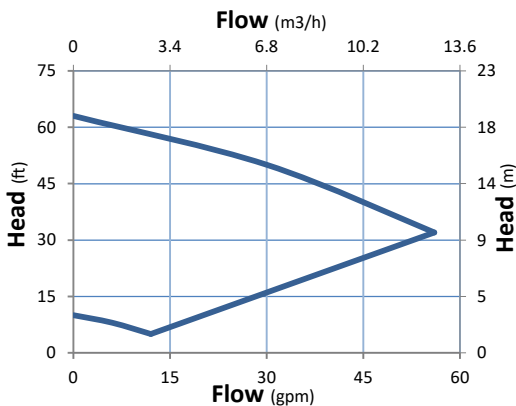


### STANDARD SPECIFICATIONS

- F/P50 DISCHARGE 1/2" FNPT, SUCTION 3/4" FNPT
- F/P75 DISCHARGE 3/4" FNPT, SUCTION 1" FNPT
- MAXIMUM IMPELLER DIAMETER (F/P50-95): 3.88"

### MECHANICAL SEAL TYPES

- SINGLE, 5/8" TYPE 6A BUNA, CARBON vs. CERAMIC (F/P50-75)
- NOTE: ADDITIONAL SEAL OPTIONS AVAILABLE
- GASKET: VEGETABLE FIBER

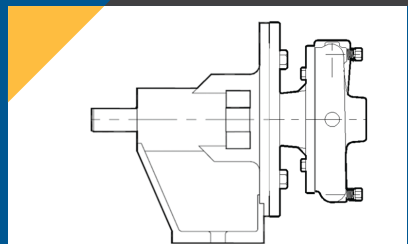


### FEATURES

- PUMP DESIGN – COMPACT, CLOSE COUPLED
- PUMP END – LIGHTWEIGHT DESIGN
- COST – ECONOMICAL DESIGN

### OPTIONAL CONFIGURATIONS

- STREET SWEEPER MOUNTING
- POWER FRAME MOUNTING
- LONG-COUPLED MOUNTING



2203 SMEED PARKWAY CALDWELL, ID 83605

MAIN (208) 402-6871

TOLL FREE (800) 345-7867

EMAIL SALES@PRICEPUMP.COM

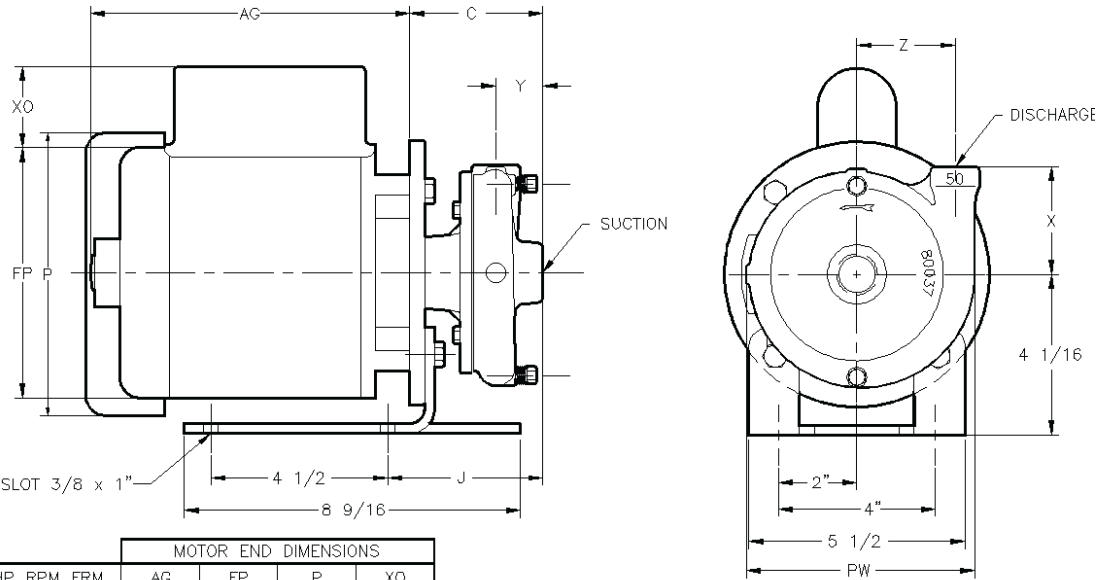
PRICEPUMP.COM





# PRICE PUMP®

## TYPE F/P



MOTOR END DIMENSIONS

HP	RPM	FRM	AG	FP	P	X0
1/3	3600	56J	8 3/4	7 3/16	6 5/8	2 1/4
1/2	3600	56J	8 3/4	7 3/16	6 5/8	2 1/4
3/4	3600	56J	9 1/8	7 3/16	6 5/8	2 1/4
1	3600	56J	9 3/4	7 3/16	6 5/8	2 1/4
1 1/2	3600	56J	10 1/4	7 3/16	6 5/8	2 1/4
2	3600	56J	10 3/4	7 3/16	6 5/8	2 1/4

NOTE:  
MOTOR DIMENSIONS WILL VARY BY MODEL AND MAKE.  
DIMENSIONS ARE TO BE USED FOR REFERENCE ONLY.  
ALL DIMENSIONS ARE ROUNDED TO THE NEAREST 1/8".

PUMP END DIMENSIONS

MODEL	PUMP END DIMENSIONS						THREADED NPT		
	C	DD	PW	J	X	Y	Z	DISCH.	SUC.
F50	3 3/8	2 7/8	5 13/16	3 15/16	2 3/4	1 3/16	2 1/2	1/2"	3/4"
F75	3 11/16	2 15/16	6 1/4	4 1/4	3 1/4	1 1/2	2 1/2	3/4"	1"

## DIMENSIONS

### MATERIALS OF CONSTRUCTION

P	AI	BF	AB
<b>VOLUTE</b>	CAST IRON	CAST IRON	BRONZE
<b>IMPELLER</b>	CAST IRON	BRONZE	BRONZE
<b>BRACKET</b>	CAST IRON	CAST IRON	BRONZE
<b>GASKET</b>	VEG. FIBER	VEG. FIBER	VEG. FIBER
<b>FASTENERS</b>	PLATED STEEL	PLATED STEEL	18-8 SS

### TECHNICAL INFORMATION

<b>MAX FLOW</b>	<b>120 GPM (27.3 M3/HR )</b>
<b>MAX HEAD</b>	<b>100 FEET (30.5 M )</b>
<b>MIN. RECOMMENDED FLOW</b>	<b>5 GPM (1.1 M3/HR)</b>
<b>MAX SOLID SIZE</b>	<b>0.180" (4.6 MM)</b>
<b>MAX WORKING PRESSURE</b>	<b>75 PSI (5.2 BAR)</b> (TYPE 6A SEAL)
<b>MAX TEMP.</b>	<b>200°F (93°C)*</b>

\* TEMPERATURE LIMITS ARE BASED ON STANDARD SEAL AND GASKET MATERIALS, AND WILL VARY ACCORDING TO THE LIQUID BEING PUMPED.



2203 SMEED PARKWAY CALDWELL, ID 83605

MAIN  
(208) 402-6871

TOLL FREE  
(800) 345-7867

EMAIL  
SALES@PRICEPUMP.COM

PRICEPUMP.COM

