



XJ/JB SS Parts List

PRICE® PUMP CO.

XJ/JB plist.doc rev. 11

Key #	Description	Quantity	Part #	
A ¹ .	Volute (Flanged) (316SS)	1		
	1 x 1½ -8 (XJ100)			2620
	1½ x 3 -8 (XJ150)			2622
	2 x 3 -8 (XJ200)			2624
A ² .	Volute (Threaded Opt) (316SS)	1		
	1 x 1½ -8 (JB100)			4002
	1½ x 2 -8 (JB150)			4003
	2 x 3 -8 (JB200)			4000
			XJ/JB	
B.	1/8" Pipe Plug (316SS)	2		0559
C.	Volute Gasket, PTFE	1		4035
D.	Volute Bolts (316SS)	8		0724
E.	Bracket (316SS)	1		
	Single Seal (std)			4010
	Double Seal			4010-1
	Single Flush			4010-2
	Quench & Flush			4010-3
	Internal Flush			4010-4
F ¹ .	T.21 Fluorocarbon Single Seal/Seat (std)	1		0122
	T.2 Fluorocarbon Single Seal/Seat (opt)	1		3920
F ² .	T.9 PTFE Single Seal/Seat (opt)	1		0123
	Seat Pin for T.9 (not shown)	1		0890
F ³ .	T.21 Fluorocarbon Double Seal/Seat (opt)	1		1024
	Double Seal Plate T.21	2		0309
	Plate Gasket, PTFE	2		0505
	Seal Plate Bolts	6		0977
F ⁴ .	T.9 PTFE Double Seal/Seat (opt)	1		0670
	Double Seal Plate T.9	2		0309-1
	Plate Gasket, PTFE	2		0505
	Plate Bolts	6		0977
	Seat Pin for T.9 (not shown)	2		0890
			143JM-215JM-P/N	254-384JM-P/N
G.	Impeller lockdown	1	0978	4050
H.	Lockdown Gasket, PTFE	1	0245	4060
J.	Impeller for Flanged Volute **	1		
	1 x 1½ -8 (XJ100)		2621-dia	N/A
	1½ x 3 -8 (XJ150)		4024-dia	4026-dia
	2 x 3 -8 (XJ200)		2628-dia	2625-dia
	Impeller for Threaded Volute (opt) **	1		
	1 x 1½ -8 (JB100)		2621-dia	N/A
	1½ x 2 -8 (JB150)		4024-dia	4026-dia
	2 x 3 -8 (JB200)		2628-dia	2625-dia
K.	Sleeve Gasket, PTFE	1	0245	4045
L.	Shaft Sleeve	1	0127	4040
M.	Impeller Shaft Key	1	0135	0136

Price® Pump Co.

21775 Eighth Street East * Sonoma, CA 95476-0329 * (707) 938-8441 * Fax (707) 938-0764



XJ/JB SS Parts List

PRICE® PUMP CO.

XJ/JB plist.doc rev. 11

Key #	Description	Quantity		Part #
N.	Bracket Bolts	4		0595
	143-184JM		0588	
	213JM/215JM		1189	
	284JM/324JM			2178
	284JM/324JM			2179
O.	Bracket Bolt Washers	4		
	143-184JM		1137	
	213JM/215JM		1199	
	254JM/256JM			1199
	284JM/324JM			1199
P ¹ .	Spacer (Bracket to Motor)	1	N/A	4055
	Only required for 254/256 JM Motors			
P ² .	Spacer (Bracket to Motor, not shown)	1	N/A	4061
	Only required for 284/324 JM Motors			
Q.	Seal Quench (opt)			Any Motor Frame
	Lip Seal Plate	1		0309-2
	Buna Lip Seal	1		0756
	Fluorocarbon Lip Seal	1		0757
	PTFE Lip Seal	1		0758
	Plate Gasket, PTFE	1		0505
	Plate Bolts	3		0977
R1.	Motor	1		Specify P/N
R2.	Power Frame	1		0502

XJ/JB Repair Parts Kits

Includes: PTFE Gasket, SS Shaft Sleeve, Sleeve Gasket, Impeller lockdown Gasket, Loctite
P/N 4095 Kit for 143/215JM P/N 4096 Kit for 254/256, 284/324JM

Note: Seal/seat must be ordered in addition to repair kit. Options: 1½” T.21 & T.9 Single & Double

** For Double Seal Impellers add “DS” to Impeller P/N. For Example: 2621DS or 4022DS

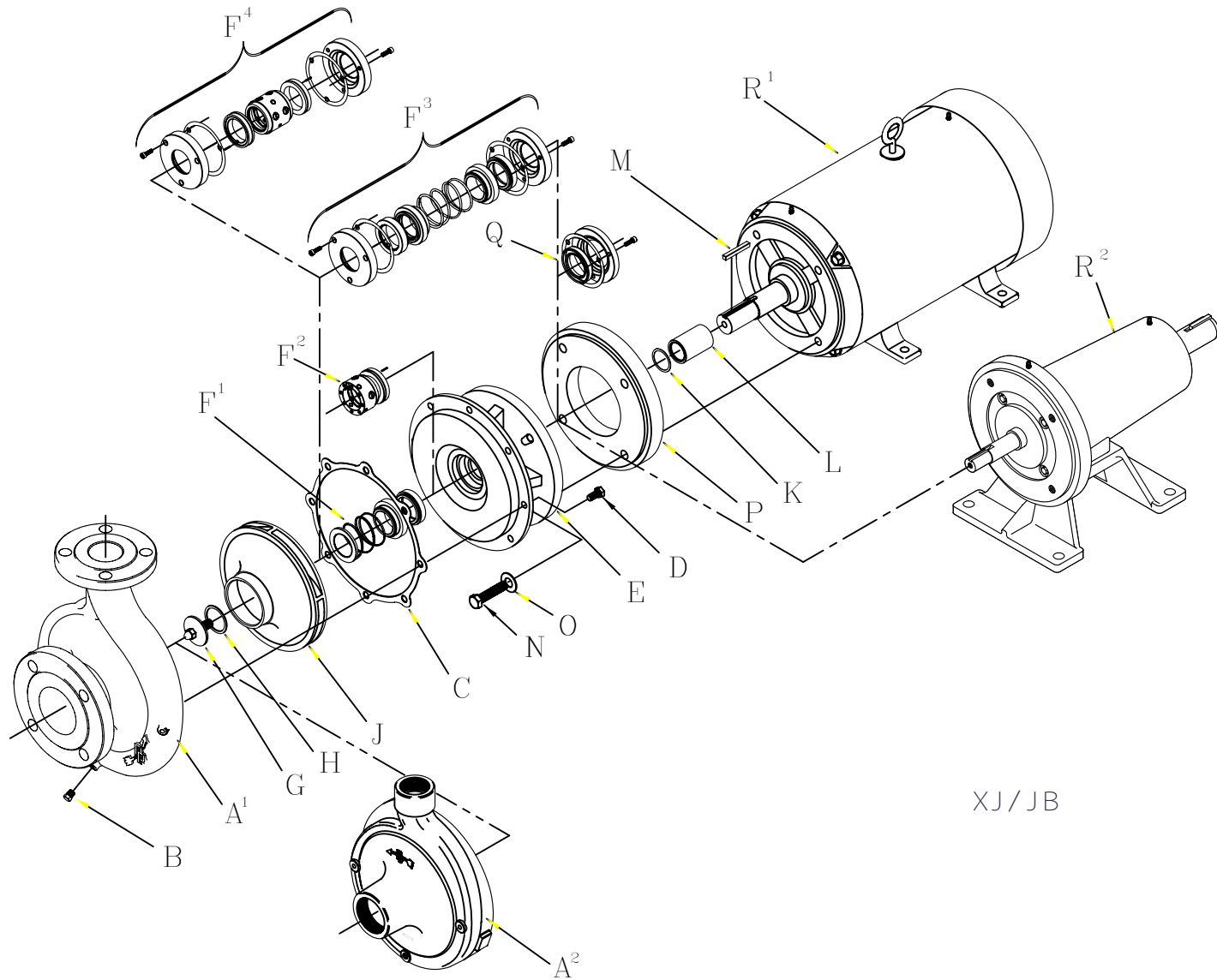
Price® Pump Co.

21775 Eighth Street East * Sonoma, CA 95476-0329 * (707) 938-8441 * Fax (707) 938-0764



PRICE PUMP CO.

XJ/JB_P.dwg rev. A



XJ/JB

Price^o Pump Co.

21775 Eighth Street East * Sonoma, CA 95476-0329 * (707) 938-8441 * Fax (707) 938-0764