



## SERIES 630 - 640 | BAG CHAMBERS

### FEATURES AND BENEFITS

- **Non-Metallic Solution Contact**  
PVC, CPVC, Polypropylene or PVDF Construction  
EPDM Elastomers Standard (FKM Optional).
- **Sizes to 5.0 Square Feet (0.5 sq/m)**  
For Flow Rates to 40 GPM (151 LPM).  
Single - Bag Design.
- **Bottom Inlet - Bottom Outlet Design.**  
Allows Chamber to be Hard Piped.  
Change Bags Without Disconnecting Piping.
- **Easy to Service.**  
Swing Bolt / Tie Rod Cover Closure with Tee Handles.
- **Port Size:**  
1" FNPT Inlet / Outlet
- **Polypropylene Filter Bags.**  
Available in 1, 5, 10, 25, 50 and 100 micron.



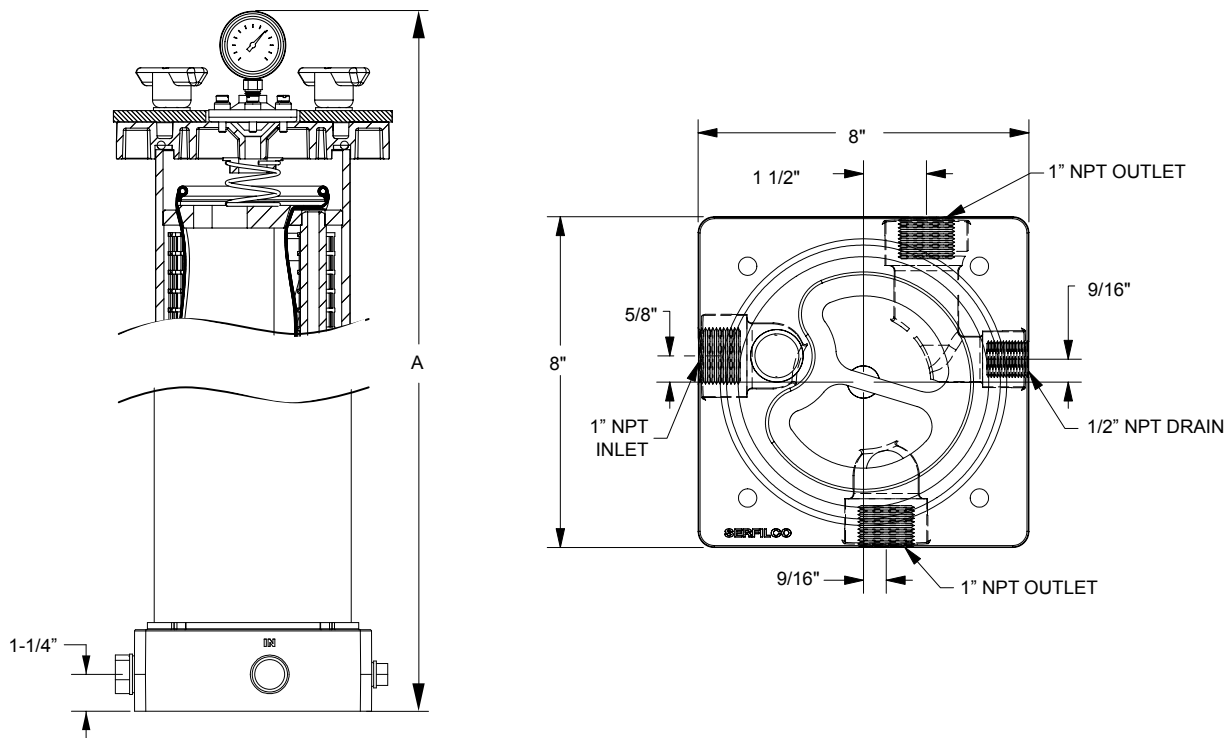
MATERIAL	DESCRIPTION	MODEL NUMBER	PRICE CODE	BAG LENGTH
PVC	PVC shell sealed to base with CPVC base and cover. SS swing bolts with tee handles. Polypropylene vent valve.	PL630BFS-1-G3	78-1773-P	30"
		PL640BFS-1-G3	78-1774-P	40"
CPVC	CPVC shell sealed to base with CPVC base and cover. SS swing bolts with tee handles. Polypropylene vent valve.	CL630BFS-1-G3	78-1773-C	30"
		CL640BFS-1-G3	78-1774-C	40"
PP	Polypropylene shell sealed to base. Glass reinforced polypropylene base and cover. SS swing bolts with tee handles. Polypropylene vent valve.	PPL630BFS-1-G3	78-1773-PP	30"
		PPL640BFS-1-G3	78-1774-PP	40"
PVDF	PVDF shell sealed to base. PVDF base and cover. SS swing bolts with tee handles. PVDF vent plug	KL630BFS-1-G3	78-1773-K	30"
		KL640BFS-1-G3	78-1774-K	40"



# SERIES 630 - 640 | BAG CHAMBERS

## TECHNICAL INFORMATION

SERIES NUMBER	SURFACE AREA		PORTS	MAXIMUM FLOW RATE		HEIGHT 'A'		SHIPPING WEIGHT	
	ft. <sup>2</sup>	M <sup>2</sup>		GPM	LPM	in	mm	lbs	kg
630	3.5	.3	1"	40	151	39.5	1003	38	17
640	5.0	.5	1"	40	151	49.5	1257	50	23



## SERIES 630 - 640 REPLACEMENT MEDIA

FOR 630 CHAMBERS		
NOM. MICRON RATING	PRICE CODE NUMBER	MODEL NUMBER
1	88-0832-G	FB-PP01 x 3.5
5	88-0832-A	FB-PP05 x 3.5
10	88-0832-B	FB-PP10 x 3.5
25	88-0832-C	FB-PP25 x 3.5
50	88-0832-E	FB-PP50 x 3.5
100	88-0832-D	FB-PP100 x 3.5

FOR 640 CHAMBERS		
NOM. MICRON RATING	PRICE CODE NUMBER	MODEL NUMBER
1	88-1476-F	FB-PP01 x 5
5	88-1476-A	FB-PP05 x 5
10	88-1476-B	FB-PP10 x 5
25	88-1476-C	FB-PP25 x 5
50	88-1476-E	FB-PP50 x 5
100	88-1476-D	FB-PP100 x 5



# SERFILCO®

Chemical resistant pumps & filters engineered for industry

2900 MacArthur Blvd.  
Northbrook, IL. 60062-2005 U.S.A (800) 323-5431  
E-Mail: sales@serfilco.com (847) 509-2900  
Web: www.serfilco.com (847) 559-1141