

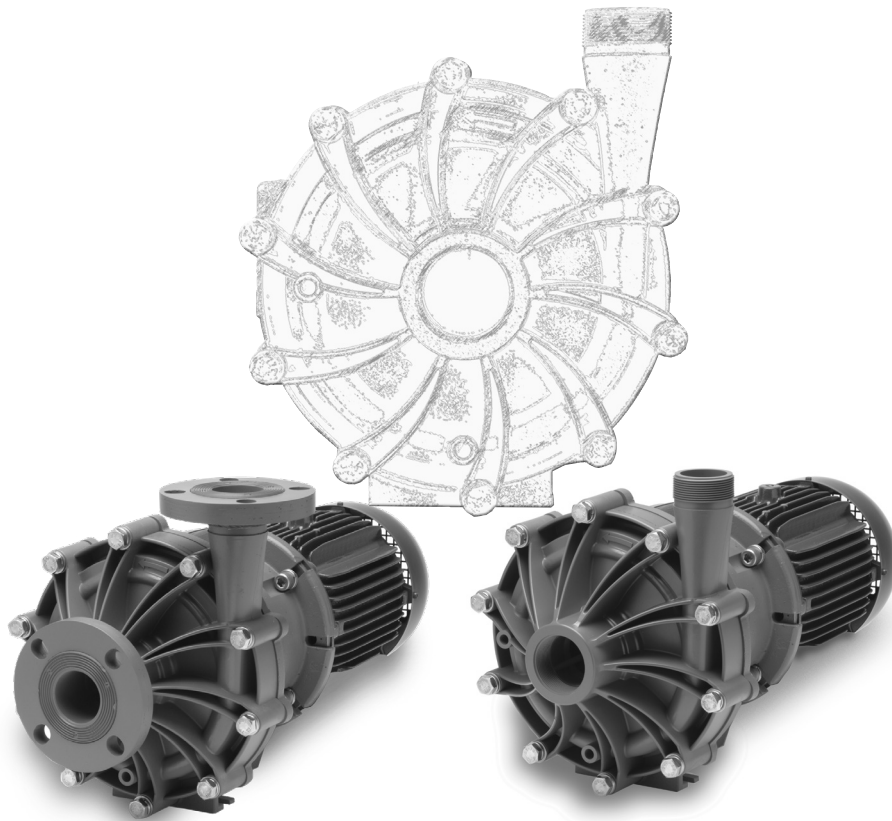


FINISH THOMPSON INC.

DB22 SERIES

ASSEMBLY, INSTALLATION AND OPERATION MANUAL

P/N 106782 R19





FINISH THOMPSON INC.

921 Greengarden Road • Erie, PA 16501-1591 U.S.A.
Ph 814-455-4478 • Fax 814-455-8518
Email fti@finishthompson.com • www.finishthompson.com

EU Declaration of Conformity



Finish Thompson Inc. hereby declares that the following machine(s) fully comply with the applicable health and safety requirements as specified by the EU Directives listed. The product may not be taken into service until it has been established that the drive motor for the centrifugal pump complies with the provisions of all relevant EU Directives. The complete product complies with the provisions of the EC Directive on machinery safety provided motors carry CE marking.

This declaration is valid provided that the devices are fully assembled and no modifications are made to these devices.

Type of Device:
Centrifugal Pumps

Models:

AC/AK/AV - 400/500/600/800	GP-11/22/32	VKC-5.5/6/6H/7/8/10
DB-3/4/5/5.5/6/6H/7/8/9/10/11/15/22	MSKC	SP-10/11/15/22
KC-3/4/5/5.5/6/6H/8/10/11/22/32	MSVKC	
UC-1516/1516L/1518/1518L/2110/3158/326/326H/328/436/438/4310H/326H/4310H/6410		

EU Directives:
Machinery Safety (2006/42/EC)

Applied Harmonized Standards:
EN ISO 12100
EN 809

Manufacturer: Finish
Thompson Inc.
921 Greengarden Road
Erie, Pennsylvania 16501-1591 U.S.A

Signed,

President

1 August 2016

Person(s) Authorized to Compile Technical File: Finish Thompson GmbH
Otto-Hahn-Strasse 16
Maintal, D-63477 DEU
Telephone: 49 (0)6181-90878-0

EU Declaration of Conformity

Manufactured by:

Finish Thompson, Inc.
921 Greengarden Road
Erie, Pennsylvania 16501 U.S.A.
Phone: 1-(814)-455-4478
Fax 1-(814)-455-8518
Email: fti@finishthompson.com
Web: www.finishthompson.com



II 2GD
Ex h IIC T6...T4 Gb
Ex h IIIC T6...T4 Db

FTZU 06 ATEX A136-06 FTZU 08 ATEX A174-08
FTZU 07 ATEX A166-07

Finish Thompson declares under our sole responsibility that the product listed below conforms to the relevant provisions of EU directive **2014/34/EU of 26 February 2014** for equipment and protective systems intended for use in potentially explosive atmospheres, and is certified for safe use in **Atmosphere Group IIC/IIIC category 2** areas.

This declaration applies to Finish Thompson, Inc **ATEX DB Series** pumps only manufactured out of carbon fiber filled PVDF with a conductive motor adapter and non-sparking ring designated by the letter "V" and "A" in the model number. Pumps and their model number may also contain many different combinations of bushings, shafts, o-rings, port connections, impellers, magnet sets, motor adapters and other options.

Models: DB6V-A, DB6HV-A, DB7V-A, DB8V-A, DB9V-A, DB10V-A, DB11V-A, DB15V-A & DB22V-A.

This product has used the following harmonized standards to verify conformance:

Non-electrical equipment for potentially explosive atmospheres: **EN ISO 80079-36:2016**
Basic Methods and Requirements.

Non-electrical equipment intended for use in potentially explosive atmospheres: **EN ISO 80079-37:2016**
Protection by construction safety "ch." and control of ignition source "bh"

This product must not be used in areas other than specified above. If in doubt consult an authorized distributor, or refer to the manufacturer Finish Thompson.

Approved by:

Date: 5/5/2017

TABLE OF CONTENTS

Description	Page Number
Model Number/Serial Number	5
Important Notice	5
Chemical Reaction Disclaimer	5
Safety Precautions	5-6
ATEX Safety Precautions.....	6-7
DB22 Capabilities	
Maximum Working Pressure.....	8
Maximum Temperature.....	8
Solids.....	8
Minimum Flow Rate	8
Maximum Motor Power	8
Maximum Specific Gravity.....	8
Section I - Assembly.....	9
Section II - Installation.....	10
Section III - Start-up and Operation	
Start-up	11
Shutdown.....	11
Flush Systems.....	11
Optional Drain installation.....	11
Section IV - Maintenance	
Disassembly.....	11
Outer Drive Replacement.....	12
Thrust Ring Replacement	12
Bushing Replacement.....	13
Impeller Replacement.....	13
Reassembly.....	13
DB22 Part Number Explanation	14
DB22 Exploded View Parts Diagram.....	15
Spare Parts List	16-19
Troubleshooting.....	20
Section V - Warranty.....	20

For factory assistance with repairs or maintenance, call 1-800-888-3743.

IMPORTANT INFORMATION - READ ME FIRST!

Model Number and Serial Number

Record the model number and serial number below for future reference. This is important information when ordering replacement parts or when technical assistance is required. The numbers are found on a label located on the motor adapter.

MODEL NUMBER = _____

SERIAL NUMBER = _____

IMPORTANT NOTICE

U.S. Export Administration Regulations, pursuant to ECCN 2B350, prohibit the export or reexport to certain enumerated countries of sealless centrifugal pumps in which all wetted materials are constructed from fluoropolymers without first applying for and obtaining a license from the U.S. Bureau of Industry and Security (BIS). This affects all Finish Thompson magnetic-drive pumps constructed from PVDF or lined with ETFE. Please contact the BIS (www.bis.doc.gov) or Finish Thompson with questions regarding the Regulations or a list of the countries to which they apply.

Chemical Reaction Disclaimer

The user must exercise primary responsibility in selecting the product's materials of construction, which are compatible with the fluid(s) that come(s) in contact with the product. The user may consult Finish Thompson, Inc. (manufacturer) and a manufacturer's representative/distributor agent to seek a recommendation of the product's material of construction that offers the optimum available chemical compatibility.

However neither manufacturer nor agent shall be liable for product damage or failure, injuries, or any other damage or loss arising out of a reaction, interaction or any chemical effect that occurs between the materials of the product's construction and fluids that come into contact with the product's components.

Safety Precautions

⚠️ WARNING: READ THIS MANUAL COMPLETELY BEFORE INSTALLING AND OPERATING THIS UNIT. FAILURE TO FOLLOW THESE PRECAUTIONS CAN RESULT IN SERIOUS INJURY OR DEATH.

⚠️ WARNING: Magnetic field hazard: This pump contains powerful magnets. Exposed magnets (pump not connected to motor) produce powerful magnetic fields. Individuals with cardiac pacemakers, implanted defibrillators, other electronic medical devices, metallic prosthetic heart valves, internal wound clips (from surgery), metallic prosthetic devices or sickle cell anemia must not handle or be in the proximity of the magnets contained inside the pump. Consult a health care provider for specific recommendations before working with this pump.

⚠️ WARNING: Magnetic force hazard. This pump should only be disassembled and assembled using the recommended procedures. The magnetic attraction is powerful enough to rapidly pull the motor end and the wet end together. Do not place fingers between the mating surfaces of the motor and wet ends to avoid injuries. Keep the drive magnet and impeller assembly away from metal chips or particles, items with magnetic stripes like credit cards and magnetic computer media such as floppy discs and hard drives.

⚠️ WARNING: When pumping flammable or combustible liquids with a DB Series pump it is important to follow these guidelines:

1. You must use a PVDF pump. PVDF has conductive carbon fibers added which allow it to be grounded when installed in a properly grounded piping system or when a properly installed grounding strap is attached to a housing bolt. If PVDF is not compatible with the liquid being pumped, you should consider an ETFE lined UC Series magnetic drive pump.
2. You must select the non-sparking (Ns) bronze bump ring option. The non-sparking ring is pressed into the clamp ring or motor adapter and prevents sparking should the motor bearings fail and the outer mag drive assembly runs out of round.
3. You must select an explosion-proof FTI motor or provide your own explosion-proof motor.

When pumping non-flammable or non-combustible liquids in a hazardous area using a DB Series pump, it is important to take these guidelines:

1. You must select the non-sparking (Ns) bronze bump ring option. The non-sparking ring is pressed into the clamp ring or motor adapter and prevents sparking should the motor bearings fail and the outer mag drive assembly runs out of round.

2. You must select an explosion-proof FTI motor or provide your own explosion-proof motor.

! WARNING: Hot surfaces. This pump is capable of handling liquids with temperatures as high as 220° F (104° C). This may cause the outer areas of the pump to become hot as well and could cause burns.

! WARNING: Rotating Parts. This pump has components that rotate while in operation. Follow local safety standards for locking out the motor from the power supply during maintenance or service.

! WARNING: Chemical Hazard. This pump is used for transferring many types of potentially dangerous chemicals. Always wear protective clothing, eye protection and follow standard safety procedures when handling corrosive or personally harmful materials. Proper procedures should be followed for draining and decontaminating the pump before disassembly and inspection of the pump. There may be small quantities of chemicals present during inspection.

! WARNING: The pump and associated components are heavy. Failure to properly support the pump during lifting and movement could result in serious injury or damage to the pump and components.

! WARNING: Never run pump at less than minimum flow or with the discharge valve closed. This could lead to pump failure.

Installation/Operation Precautions

! CAUTION: This pump should never be operated without liquid in the casing. It is recommended that run dry protection be used. Optional electronic power monitors are available to help protect against run dry. If the pump has a PTFE, ceramic or silicon carbide bushing, IT CANNOT BE RUN DRY WITHOUT CAUSING DAMAGE TO THE PUMP. However, the pump can operate without liquid in the casing if the pump has a carbon bushing. The exact length of time the pump can operate dry with a carbon bushing varies with operating conditions and the environment.

! CAUTION: Never start or operate with a closed suction valve. Never operate with a closed discharge valve.

! CAUTION: Always provide adequate NPSHa (net positive suction head available). It is recommended to provide at least 2 feet (61 cm) above the NPSHr (net positive suction head required).

! CAUTION: If pump is used on variable speed drive, do not exceed the frequency for which the pump was designed (for example, if the pump is a 50 Hz model, do not exceed 50 Hz).

ADDITIONAL SAFETY PRECAUTIONS FOR ATEX COMPLIANT PUMPS

DB Series:

The pump is designed for   1026 **II 2GD**
Ex h IIC T6...T4 Gb
Ex h IIIC T6...T4 Db

! Protection Control

A power monitor, flow switch, pressure switch or similar device must be used to protect against dry running, closed discharge valve or decoupling. Any of these conditions could lead to a rise in surface temperature of the pump.

! Construction Materials

Pump must be manufactured from PVDF with a PVDF motor adapter and bronze bump ring and have the designation “-A” in the pump part number. The PVDF contains conductive carbon which allows it to be grounded when installed in a properly grounded piping system or when a properly installed grounding strap is attached to a housing bolt. The bronze bump ring is pressed into the clamp ring or motor adapter and prevents sparking should the motor bearings fail and the outer drive magnet runs out of round.

! Grounding

Static sparking can cause an explosion. When operating in a hazardous area or pumping a hazardous fluid the entire pump system must be grounded to prevent static discharge. Before operating the pump, ensure the electrical continuity throughout the pumping system and earth ground is 1 Ohm or less. If greater than 1 Ohm, re-check all grounding connections.

! Elastomer Selection

Proper o-ring material must be chosen for the fluid being pumped. Improper material selection could lead to swelling and be a possible source of leaks. This is the responsibility of the end user.

! Leaks

The pump must be checked for leaks on a regular basis. If leaks are noticed, the pump must be repaired or replaced immediately.

Temperature Classification

The surface temperature of the DB Series pumps depends upon the temperature of the fluid that is being pumped. The following chart lists different fluid temperatures and the corresponding pump surface temperature.

Fluid Temperature	Maximum Surface Temperature	Temperature Class	Maximum Allowable Surface Temperature
29°C (85°F)	55°C (131°F)	T6	85°C
77°C (170°F)	76°C (168°F)	T5	100°C
104°C (220°F)	84°C (183°F)	T4	135°C

Cleaning

The pump must be cleaned on a regular basis to avoid dust build up greater than 5 mm.

Motor Rotation Test

Pump must be full of liquid with no trapped air in the suction and discharge lines before the rotation of the motor is checked. Do not operate pump until it is full of liquid.

Start up

The pump must be filled from a flooded suction tank (gravity) or primed with liquid from an outside source. Open the inlet (suction) and discharge valves completely and allow the pump to fill with liquid. Close the discharge valve. Turn the pump on and slowly open the discharge valve. Adjust the flow rate and pressure by regulating the discharge valve. Do not attempt to adjust the flow with the suction valve.

Maintenance

The recommended maintenance schedule depends upon the nature of the fluid being pumped and the specific application. If the pump is used on a clean fluid, it is recommended that the pump be removed from service and examined after six months of operation or after 2,000 hours of operation. If the pump is used on fluids with solids, high temperatures or other items that could cause accelerated wear, then this initial examination should be sooner.

After the initial examination of the internal components and wear items are measured, a specific maintenance schedule can be determined. For best results, it is recommended that the pump be removed from service annually for examination.

DB22 Capabilities

Maximum Working Pressure: 90psi (6.2 bar)

Maximum Temperature: Polypropylene -180° F (82° C); PVDF – 220° F (104° C)

NOTE: Maximum temperature is application dependent. Consult a chemical resistance guide or the chemical manufacturer for chemical compatibility and temperature limits.

Solids: Maximum particle size is 100 microns for slurries and 1/64” (.4 mm) for occasional solids. Maximum hardness is 80 HS. Maximum concentration is 10% by weight.

NOTE: If solids are being pumped, it is recommended that the pump have silicon carbide components for best results. Pumping solids may lead to increased wear.

Minimum Allowable Flow Rate: Do not allow the flow rate to drop below the minimum rate listed in the chart below.

3450 rpm (60 Hz)	1725 rpm (60 Hz)	2900 rpm (50 Hz)	1450 rpm (50 Hz)
10 gpm / 2.3 m ³ /hr	5 gpm / 1.1 m ³ /hr	10 gpm / 2.3 m ³ /hr	5 gpm / 1.1 m ³ /hr

Maximum Noise Level: 80 dBA (pump only)

Maximum Allowable Motor Power

Do not exceed 7.5 kW (10 horsepower) for 50 Hz, 2900 rpm applications. For 60 Hz, 3450 rpm applications, the pump is capable of starting a 15 horsepower motor but is limited to a maximum of 13 horsepower (9.7 kW) while running. Use the information in the chart below to determine the maximum specific gravity capabilities by impeller trim for non-overloading applications. The use of a power monitor is strongly recommended for 60 Hz applications above 10 horsepower (7.5 kW).

Maximum Specific Gravity for Non-Overloading Applications

3450 rpm (60 Hz)	
Closed Impeller Diameter	Maximum Specific Gravity
7.25" (184.2 mm)	1.0
7" (177.8 mm)	1.1
6.5" (165.1 mm)	1.5
6" (152.4 mm)	1.8
5.5" (139.7 mm)	1.8
5" (127.0 mm)	1.8
4.5" (114.0 mm)	1.8

2900 rpm (50 Hz)	
Closed Impeller Diameter	Maximum Specific Gravity
184.2 mm (7.25")	1.35
177.8 mm (7")	1.6
165.1 mm (6.5")	1.8
152.4 mm (6")	1.8
139.7 mm (5.5")	1.8
127.0 mm (5")	1.8

3450 rpm (60 Hz)	
Open Impeller Diameter	Maximum Specific Gravity
6" (152.4 mm)	1.5
5.5" (139.7 mm)	1.8
5" (127.0 mm)	1.8
4.5" (114.0 mm)	1.8

2900 rpm (50 Hz)	
Open Impeller Diameter	Maximum Specific Gravity
181.0 mm (7.13")	1.35
177.8 mm (7")	1.5
165.1 mm (6.5")	1.75
152.4 mm (6")	1.8
139.7 mm (5.5")	1.8

DB22 Assembly, Installation and Operation

Unpacking and Inspection

Unpack the pump and examine for any signs of shipping damage. If damage is detected, save the packaging and notify the carrier immediately.

Section I - Assembly

Tools Required:

3/8" Allen wrench or ballpoint hex socket, 3/16" Allen bit & torque wrench, 19 mm hex socket, metric socket set (for pumps with IEC outer drives)

Pumps with Motors

Proceed to "Installation" Section

Pumps Without Motors

NOTE: All motors must have motor feet

1. Remove the pump, drive magnet assembly and hardware package from the carton. For 184TC motors proceed to step 3.

CAUTION: Keep away from metallic particles, tools and electronics. Drive magnets **MUST** be free of metal chips.

WARNING: Keep the drive magnet away from the open end of the motor adapter and barrier. Strong magnetic attraction could allow the drive hub to enter the motor adapter resulting in injury or damage.

2. For 213/215 NEMA motors only

Install the o-ring (item 10A) in the groove in the motor adapter. Use small amount of petroleum jelly (or silicone grease on EPDM o-rings) to help hold the o-ring in place. Install the larger female rabbit portion of the motor adapter flange (item 10) on the motor face. Align the holes in the adapter with the holes in the motor face. See figure 1.

For 90, 100/112, & 132 with B5 flange motors

Install flange (item 10) on motor with the side with pockets (depressions) towards the motor face. Align (4) holes in the adapter with the holes in the motor face. Install (4) bolts, lock washers and flat washers through the motor adapter into the motor face. **Note:** B5 flange motors require customer supplied hardware.

For 90 and 132 with B14 flange & 145TC motors

Install flange (item 10) on motor with pockets (depressions) side towards the motor face. Align (4) holes in the adapter with the holes in the motor face. Install (4) bolts, lock washers and flat washers (items 20, 21, 22) through the motor adapter into the motor face. See figure 1.

For 100/112 with B14 flange motors

Install flange (item 10) on motor with pockets (depressions) towards the pump motor adapter (item 8). Align (4) holes in the adapter with the holes in the motor face. Install (4) bolts, lock washers and flat washers (items 20, 21, 22) through the motor adapter into the motor face.

Flange hole thread size:

90 B5 = M10 x 1.5

100/112 B5 = M12 x 1.75

132 B5 = M12 x 1.75

Torque bolts to the following:

90/100/112 B14 frame (M8) = 130 in-lb (14.7 N-m)

132 B14 (M10) frame (M10) = 240 in-lb (27.1 N-m)

90 frame B5 (M10) = 240 in-lb (27.1 N-m)

100/112/132 B5 (M12) = 480 in-lb (54.3 N-m)

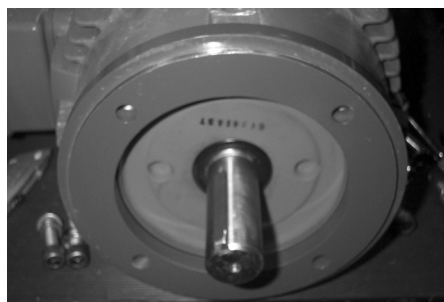


Figure 1

3. Coat the motor shaft with anti-seize compound. Insert key supplied with motor into keyway on motor shaft.
4. Slide the outer drive magnet assembly (item 9) onto the motor shaft until the motor shaft contacts the snap ring in the bore of the drive. Figures 2 and 3.

NOTE: Make sure the motor shaft is clean and free of burrs. The outer drive is precision machined and has a bore tolerance of $+.0005/-0$ inch.

WARNING: Be careful, magnets will try to attract tools.

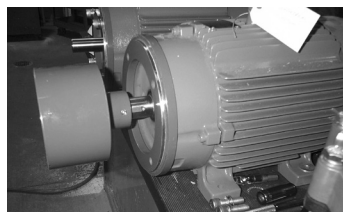


Figure 2



Figure 3

WARNING: Metric Motors: Secure the drive to the motor shaft using

bolt, lock washer and flat washer (items 17, 18, 19). Thread the bolt into the end of the motor shaft (while holding the outer drive to prevent it from turning). See figure 4.

Tighten the bolt to the following:

- 90 frame (M8) = 130 in-lb (14.7 N-m)
- 100/112 frame (M10) = 240 in-lb (27.1 N-m)
- 132 frame (M12) = 480 in-lb (54.3 N-m)

NEMA Motors: Install set screws (item 9B) into threaded holes on the side of the outer drive magnet assembly. Using a 3/16" Allen bit & torque wrench, tighten to 228 in-lbs (25.8 N-m). See figure 5.



Figure 4

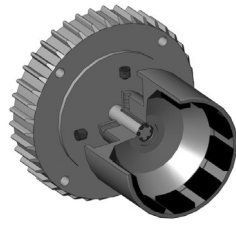


Figure 5

5. Install the pump end on the motor/drive magnet assembly.

NOTE: If the pump has the optional o-ring sealing option (available on 184 and 215 frame pumps only), install the o-ring (item 8B) in the groove in the motor adapter (motor end). Use small amount of petroleum jelly (or silicone grease on EPDM o-rings) to help hold the o-ring in place.

Place the motor/drive on a flat surface with the drive and motor face hanging over the bench surface. Secure the motor to the bench.

Firmly grab the pump and slide over the outer drive magnet until the motor adapter is seated in the rabbet of the motor (184TC) or the motor adapter flange. The last 4-5" (10-12 cm) will have strong magnetic attraction between the pump and outer drive magnet. See figures 6 and 7.

NOTE: The clearance between the motor adapter and drive magnet is tight (about .010"/.254 mm).

6. Secure the pump to the motor using (4) 1/2" socket head

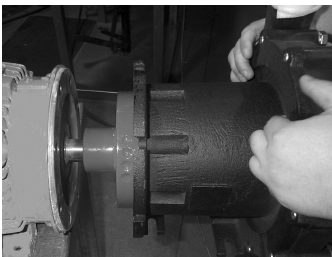


Figure 6



Figure 7

cap screws, lock washers and flat washers (items 14, 15, 16). Use 3/8" Allen wrench or 3/8" hex socket on universal joint. See figures 8 and 9.



Figure 8



Figure 9

7. Rotate the motor fan to ensure that there is no binding in the pump.
8. Proceed to Installation Section

Section II - Installation

Mounting – Pump foot should be securely fastened to a solid foundation. If the pump was received with plastic shipping shims, these may be used as additional support for the motor feet.

⚠ CAUTION: The NPSH available to the pump must be greater than the NPSH required. NPSH available should be two feet (.6 meters) greater than NPSH required.

- Install the pump as close to the suction source as possible.
- Support the piping independently near the pump to eliminate any strain on the pump casing. In addition, the piping should be aligned to avoid placing stress on the pump casing.
- The suction side of the pump should be as straight and short as possible to minimize pipe friction.
- The suction line should not have any high spots. This can create air pockets that can reduce pump performance. The suction piping should be level or slope slightly upward to the pump.
- If flexible hose is preferred over pipe, use a reinforced hose rated for the proper temperature, pressure and is chemically resistant against the fluid being pumped.
- The suction valve must be completely open to avoid restricting the suction flow.
- When installing pumps with flanges, we recommend use of low seating stress gaskets such as Gore-Tex or Gylon (expanded PTFE).

Motor/Electrical

Only qualified personnel trained in the safe installation and operation of this equipment should install the motor. Install the motor according to National Electric Code, NEMA MG-2, IEC standards requirements and/or applicable local electrical codes. The voltage and frequency variations of the power supply should never exceed the limits established in the applicable standard. Prior to connecting to the power line, check nameplate voltage, rotation connection and ensure proper grounding. Sufficient ventilation area should be provided to insure proper operation and cooling of the motor. The motor must be installed with a suitable overload protection circuit. For three phase motors it is recommended to install a phase failure protection device. Download the motor manual from the specific motor manufacturers' website for additional information concerning motor installation, safety and maintenance instructions.

Wire the motor for clockwise rotation when facing the fan end of the motor.

⚠ CAUTION: Do not operate the pump to check rotation until the pump is full of liquid or damage may occur even if the motor is "bumped" to check motor rotation direction.

Check all electrical connections with the wiring diagram on the motor. Make sure the voltage, frequency, phase and amp draw

comply with the supply circuit.

If utilized, verify that power monitors or variable frequency drives have been properly installed according to the manufacturer's instructions. To verify correct rotation of the motor:

1. Install the pump into the system.
2. Fully open the suction and discharge valves.
3. Allow fluid to flow into the pump. Do not allow the pump to run dry (ceramic, PTFE and silicon carbide bushings can't be run dry without damage to pump components).
4. Jog the motor (allow it to run for 1-2 seconds) and observe the rotation of the motor fan. Refer to the directional arrow molded into the pump casing if necessary.

NOTE: A pump running backwards will pump but at a greatly reduced flow and pressure.

Section III - Start-up and Operation

Start-up and Operation

1. This pump must be filled from a flooded suction tank (gravity) or primed with liquid from an outside source. The DB22 is not self-priming.
2. Open the inlet (suction) and discharge valves completely and allow the pump to fill with liquid.
3. Close the discharge valve.
4. Turn the pump on. Slowly open the discharge valve. Adjust the flow rate and pressure by regulating the discharge valve. Do not attempt to adjust the flow with the suction valve.

Shutdown

1. Use the following procedure to shutdown the pump.
2. Slowly close the discharge valve.
3. Turn off the motor.
4. Close the suction valve.

Flush Systems

CAUTION: Some fluids react with water; use compatible flushing fluid.

1. Turn off the pump.
2. Completely close the suction and discharge valves
3. Connect flushing fluid supply to flush inlet valve.
4. Connect flushing fluid drain to flush drain valve.
5. Open flushing inlet and outlet valves. Flush system until the pump is clean.

Optional Drain Installation

1. Remove the impeller housing (item 1) from the pump

assembly.

2. Clamp the impeller housing to a drill press table.
3. Using a 7/16" drill and the molded boss as a guide, drill completely through the molded boss into the interior of the impeller housing.

CAUTION: Do not tap too deep or the impeller housing may be damaged.

4. Using a 1/4" NPT tap, tap the hole in the molded boss to the appropriate depth.
5. Install the drain plug or valve, being careful not to over-tighten.

Section IV - Maintenance

Recommended maintenance schedule

The recommended maintenance schedule depends upon the nature of the fluid being pumped and the specific application. If the pump is used on a clean fluid, it is recommended that the pump be removed from service and examined after six months of operation or after 2,000 hours of operation. If the pump is used on fluids with solids, high temperatures or other items that could cause accelerated wear, then this initial examination should be sooner.

After the initial examination of the internal components and wear items are measured, a specific maintenance schedule can be determined. For best results, it is recommended that the pump be removed from service annually for examination.

Disassembly

WARNING: Rotating Parts. This pump has components that rotate while in operation. Follow local safety standards for locking out the motor from the power supply during maintenance or service.

WARNING: Chemical Hazard. This pump is used for transferring many types of potentially dangerous chemicals. Always wear protective clothing, eye protection and follow standard safety procedures when handling corrosive or personally harmful materials. Proper procedures should be followed for draining and decontaminating the pump before disassembly and inspection of the pump. There may be small quantities of chemicals present during inspection.

WARNING: Magnetic force hazard. This pump should only be disassembled and assembled using the recommended procedures. The magnetic attraction is powerful enough to rapidly pull the motor end and the wet end together. Do not place fingers between the mating surfaces of the motor and wet ends to avoid injuries. Keep the drive magnet and impeller assembly away from metal chips or particles.

Stop the pump, lock out the motor starter, close all the valves

that are connected to the pump, and drain/decontaminate the pump.

▲ WARNING: The pump must be thoroughly flushed of any hazardous materials and all internal pressure relieved prior to opening the pump. Allow the pump to reach ambient temperatures prior to performing maintenance.

1. Secure the pump/motor to the bench with the adapter foot hanging over the edge. Remove (4) 1/2" socket head cap screws, lock washers and flat washers (items 14, 15, 16) securing the pump to the motor. Use 3/8" Allen wrench or 3/8" hex socket on universal joint.

2. Firmly grab the motor adapter and pull straight out to dis-engage the motor and pump. See figure 10.

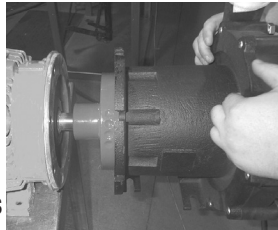


Figure 10

NOTE: If the pump has the optional o-ring sealing option (available on 184 and 215 frame pumps only), make sure o-ring (item 8B) does not fall out of the motor adapter (motor end).

3. Place pump on bench with housing (item 1) facing up. Using a 19 mm socket, remove (10) M12 hex head cap screws, lock washers and flat washers (items 11, 12, 13). See figure 11.

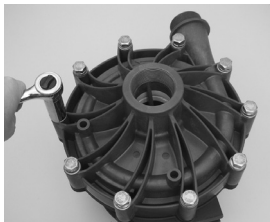


Figure 11

4. Pull housing straight up to remove. Impeller shaft (item 5) may be lodged in the front shaft support. Inspect housing for signs of wear or damage. Look for signs of rubbing, cracked thrust ring or damage to front shaft support. See figure 12.



Figure 12

5. Remove impeller/inner drive assembly (items 3A, 3, 4, 4A).

See figure 13. Inspect impeller and drive for signs of wear or damage. Look for signs of rubbing, damage and wear to the impeller and inner drive. Check the impeller thrust ring and bushing for wear. See figure 14.



Figure 13

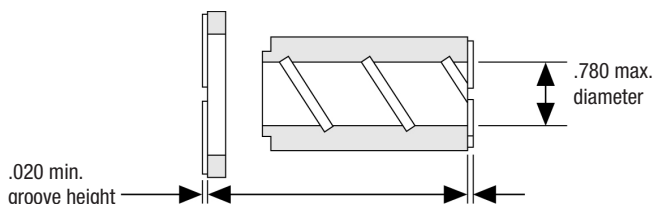


Figure 14

6. Remove the impeller shaft (item 5) from the barrier and check for signs of cracking, chipping, scoring or wear. See figure 15.

7. Remove the barrier (item 7) from the motor adapter (item 8) (make sure the spindle has been removed). If necessary, gently tap on the backside of the barrier with a soft rod (wood, plastic, etc). Inspect the inside and outside of the barrier for signs of rubbing. See figure 16.

8. Remove the o-ring (item 6) from the barrier and inspect for chemical attack, swelling, brittleness, cuts, etc.



Figure 15



Figure 16

9. Visually inspect the outer drive (item 9) for rubbing, damage, corrosion or loose magnets.

NOTE: Inspect the o-ring (item 8A), for chemical attack, swelling, brittleness, cuts, etc. Both NEMA and IEC pumps have o-ring item 8A. If the pump has the optional o-ring sealing option (available on 184 and 215 frame pumps only), inspect o-ring item 8B (and item 10A if 215 frame).

Outer Drive Replacement

1. Remove the setscrews (item 9B) from the side of the drive (NEMA motors) or the bolt, lock washer and flat washer (items 17, 18, 19) from the center of the drive (metric motors).

▲ WARNING: Be careful, tools will want to be attracted to the magnets.

2. Remove the drive magnet from the motor shaft by gently prying up from the bottom of the drive.

3. To reinstall the drive or a new drive follow the instructions from "Section I – Assembly, Pumps without Motors, Steps 3 & 4".

Thrust Ring Replacement

1. Thrust ring (item 3A) is held in-place with a snap fit ridge. Using a razor knife or side cutters, cut a notch out of the thrust ring. Pull ring up and out of the holder. See figures 17 and 18.

2. To reinstall, align the two flats on the thrust ring with the flats in the bore of the impeller. Using a piece of wood press into place using an arbor press until the thrust ring is completely seated in the impeller.



Figure 17

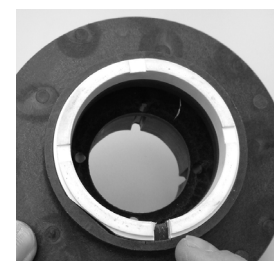


Figure 18

Bushing Replacement

1. To remove the bushing, place the impeller/inner drive assembly (items 3A, 3, 4, 4A) with the impeller facing up in an arbor press. If necessary support the bottom of the assembly with blocks to allow the bushing to fall out. Insert a 1" (25.4mm) diameter plastic or wooden shaft through the impeller and press bushing out. See figure 19.
2. To replace bushing, place the assembly on a flat surface with the impeller thrust ring face down. With the slotted face of the bushing facing the rear of the inner drive, align the flat in the bushing with the flat in the inner drive magnet. See figure 20. Gently push until bushing bottoms out.



Figure 19



Figure 20

Impeller Replacement

1. To remove the impeller from the inner drive magnet, gently pry off by hand or lightly tap on the back of the impeller.
2. To install a new impeller, place the inner drive magnet assembly face up. Line up the patterns on the impeller with the ones on the inner drive magnet so they match and press into place by hand. An arbor press can also be used to press the impeller on the inner drive. Place a piece of wood over the top of the impeller thrust ring and push down on the impeller until it is completely seated in the inner drive.

Reassembly

1. Lubricate the o-ring (item 8A) with a chemically compatible lubricant and install in the groove in the motor adapter.
2. Install the barrier (item 7) into the motor adapter (item 8). Press firmly to ensure that the barrier is completely seated.
3. Install o-ring (item 6) in groove in barrier.
4. Install impeller shaft (item 5) into barrier by aligning flats on the shaft with the ones in the barrier. Make sure it is completely seated. See figure 21.



Figure 21

5. Carefully install the impeller/inner drive assembly (items 3A, 3, 4, 4A) by sliding it over the impeller shaft in the barrier. It is normal for the impeller/inner drive to pop up a slight amount due to magnetic forces. See figures 22 and 23.

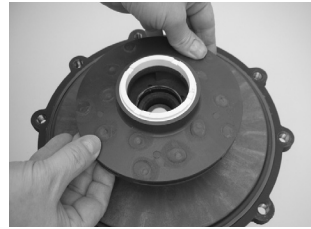


Figure 22

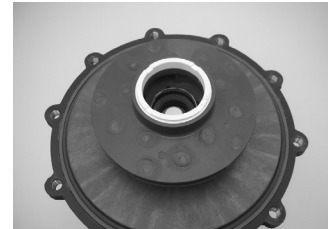


Figure 23

6. Install the impeller housing (item 1). Make sure the discharge is in the correct orientation in relation to the motor adapter pump foot. Align the shaft in the barrier with the front shaft support in the impeller housing. Press down to push the impeller/inner drive magnet assembly into position. Holding the impeller housing with one hand, install and finger-tighten two bolts lock washers and flat washers (items 11, 12, 13) in opposite locations. See figure 24.
7. Install the remaining bolts, lock washers and flat washers finger tight.
8. Using a 19 mm socket, tighten all the bolts evenly using a star pattern. Tighten to 240 in-lb (27.1 N-m)
9. Reinstall the pump on the motor/drive magnet following instructions from "Section I – Assembly, Pumps without Motors, Steps 5 & 8".



Figure 24

DB22 PART NUMBER EXPLANATION

NOTE: Pump end includes wetted components, drive magnet and motor adapter; wet end includes wetted components only.

Part Number Explanation

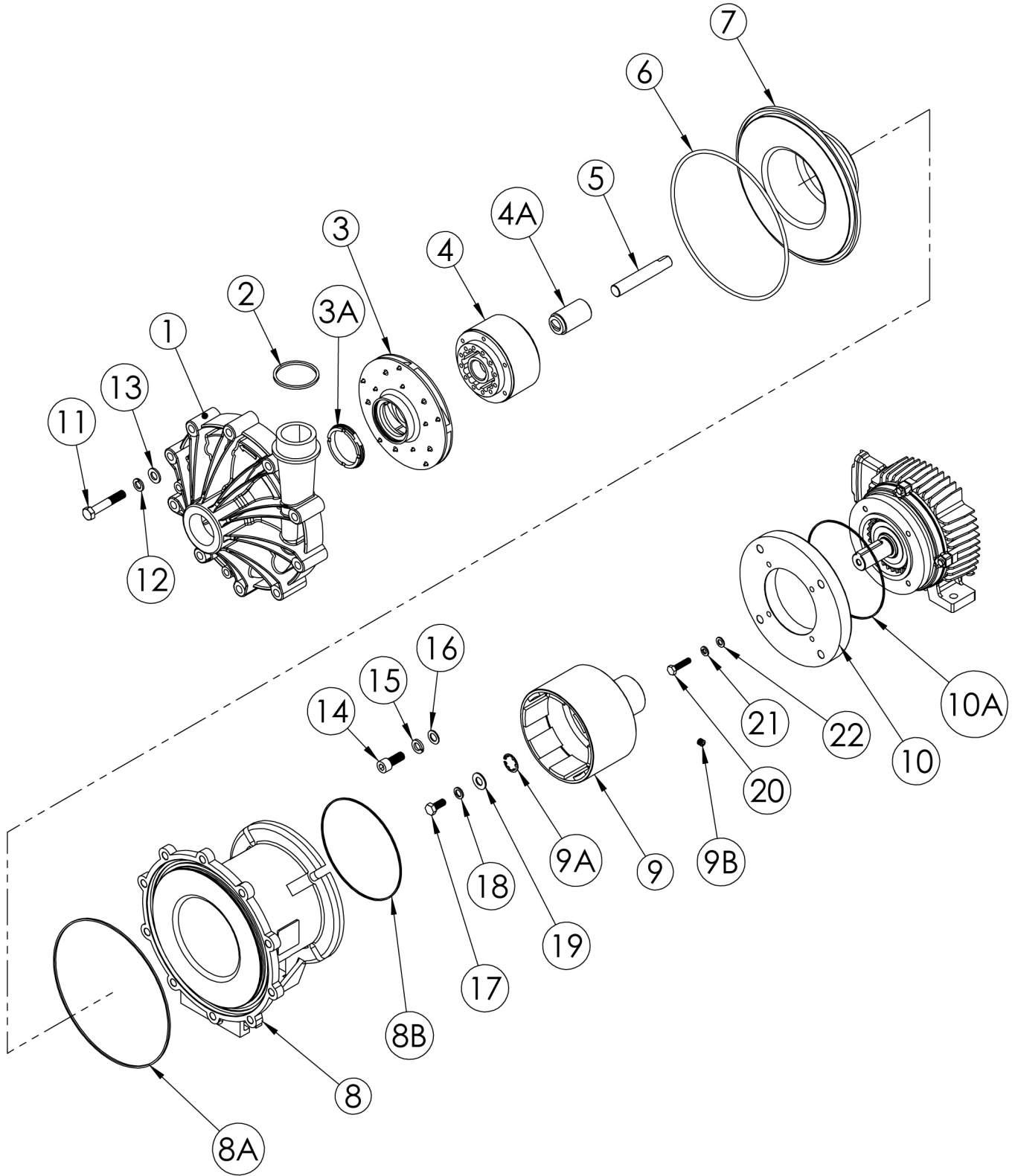
Base model number contains standard components. Where standard components aren't suitable, add the alternative component code letter after the base model number to substitute components. Example: DB22P-E-U-21 is constructed of the listed base model components except it has an EPDM O-ring, union connections, and a 213TC motor adapter.

The model number is on the serial number label located on the motor adapter. The model number contains a base model that features certain standard components. Compare the model number on the pump to the adjacent chart to determine if the pump contains any alternate components. Model numbers containing "P" have primary components molded from polypropylene. Model numbers containing "V" have primary components molded from PVDF.

Base Model Numbers: DB22P, DB22V

Alternative Components Price Adders											
Component	Base		Alternative	Code							
Bushing	Carbon	or	PTFE	T							
O-ring	Viton	or	EPDM	E							
			Simriz	S							
			Kalrez	K							
Connection	NPT	or	BSP	B							
			Union	U							
			Steel Flange ANSI 150 / PN20/40 / JIS 10K	Fs							
			2" x 2" FRP flange ANSI 150 / PN20/40 / JIS 10K	Ff							
			3" x 2" FRP flange ANSI 150 / PN20/40 / JIS 10K	3 x 2							
Impeller Style	Closed		Open - see 8-16 below (8-11 60 Hz/ 12 - 16 50 Hz)								
Impeller	1 (60 Hz) 7.25"	or		1A	2	2A	2B	2C	3	3A	3B
				7.13"	7.00"	6.88"	6.75"	6.63"	6.50"	6.38"	6.25"
			3C	4	4A	4b	4C	5	5A	5B	5C
			6.13"	6.00"	5.88"	5.75"	5.63"	5.50"	5.38"	5.25"	5.13"
			6	6A	6B	6c	7	8	8A	8B	8C
			5.00"	4.88"	4.75"	4.63"	4.50"	6.00"	5.88"	5.75"	5.63"
			9	9A	9B	9C	10	10A	10B	10C	11
			5.50"	5.38"	5.25"	5.13"	5.00"	4.88"	4.75"	4.63"	4.50"
			12	13	13A	13B	13C	14	14A	14B	14C
			7.13"	7.00"	6.88"	6.75"	6.63"	6.50"	6.38"	6.25"	6.13"
15	15A	15B	15C	16							
6.00"	5.88"	5.75"	5.63"	5.50"							
Note: Impellers 1-7 are closed (50 and 60 Hz); 8-11 are open (60 Hz); 12-16 are open (50 Hz)											
Magnet (Upgrade for specific gravity corrections)	8-pole Up to 13 HP (60 Hz); 7.5 kW (50 Hz)	or	No Upgrade Available.								
Motor Adaptor	182-184TC NEMA	or	145TC NEMA							145	
			213-215TC NEMA							21	
			IEC 90/B14							94	
			IEC 100/B14							04	
			IEC 112/B14							24	
			IEC 132/B14							34	
			IEC 90/B5							95	
			IEC 100/B5							05	
			IEC 112/B5							25	
IEC 132/B5							35				
Gas engine mounting							Ge				
Specials	Not Standard	or	SiC bushing/shaft							Ss	
			SiC bushing/impeller thrust ring/shaft							Si	
			Hastelloy shaft							Hs	
			Titanium Hardware							Ti	
			Non-sparking ring							Ns	
Motor	Not Standard		Contact factory or distributor								

DB22 EXPLODED VIEW PARTS DIAGRAM



DB22 Spare Parts List

Item	Qty	Description	Pump Material		
			Polypropylene	PVDF	
1	1	Housing			
		NPT threads & ceramic ring	106403	106403-1	
		BSP threads & ceramic ring	106403-2	106403-3	
		FRP flanges 2"x2" & ceramic ring - ANSI150/PN20/40/JIS10K	106478	106478-1	
		FRP flanges 3"x2" & ceramic ring - ANSI150/PN20/40/JIS10K	107115	107115-1	
		Steel flanges 2"x2" & ceramic ring - ANSI150/PN20/40/JIS10K	106478-2	106478-3	
		Unions & ceramic ring	106481	106481-1	
		NPT threads & SiC ring (optional)	106471	106471-1	
		BSP threads & SiC ring (optional)	106471-2	106471-3	
		FRP flanges 2"x2" & SiC ring (optional) - ANSI150/PN20/40/JIS10K	106748	106748-1	
		FRP flanges 3"x2" & SiC ring (optional) - ANSI150/PN20/40/JIS10K	108033	108033-1	
		Steel flanges 2"x2" & SiC ring (optional) - ANSI150/PN20/40/JIS10K	106748-2	106748-3	
Unions & SiC Ring (optional)	106755	106755-1			
2	1	Discharge O-ring (BSP housings only)			
		EPDM	105084		
		FKM	105083		
		Simriz	106948		
		Kalrez	106947		
3	1	Impeller Assembly with Thrust Ring			
		<i>See DB22 Impeller Assemblies Table</i>			
3A	1	Impeller Thrust Ring Only			
		Closed impeller - Fluorosint	J103899		
		Closed impeller - SiC (optional)	J104170		
		Open impeller - Fluorosint	J101460		
		Open impeller - SiC (optional)	J101460-1		
4	1	Impeller Drive Assembly			
		w/ carbon bushing (standard)	106476	106476-1	
		w/ PTFE bushing (optional)	106476-2	106476-3	
		w/ SiC bushing (optional)	106476-4	106476-5	
4A	1	Impeller Bushing Only			
		Carbon (standard)	J103917-1		
		Filled PTFE (optional)	106757		
		SiC (optional)	106757-1		
5	1	Impeller Shaft			
		Ceramic (standard)	106450		
		SiC (optional)	106450-1		
		Hastelloy C (optional)	106450-2		
6	1	Housing O-ring			
		FKM (standard)	106764		
		EPDM (optional)	106765		
		Simriz (optional)	106767		
		Kalrez (optional)	106766		
7	1	Barrier			
		106400	106400-1		
8	1	Motor Adapter			
		Standard	106414-1	106414-2	
		ATEX	106794	106794-1	
8A	1	Front Motor Adapter O-Ring			
		Buna	106844		
		EPDM	106845		
		FKM	106846		

Item	Qty	Description	Pump Material	
			Polypropylene	PVDF
8B	1	Rear Motor Adapter O-Ring (NEMA motors only)		
		Buna	106847	
		EPDM	106848	
		FKM	106849	
9	1	Outer Drive Magnet Assembly with Retaining Ring		
		182/184TC frame (includes set screws)	106453	
		143/145TC frame(includes set screws)	106457-3	
		213/215TC frame (includes set screws)	106453-1	
		90 frame	106457	
		100/112 frame	106457-1	
		132 frame	106457-2	
9A	1	Retaining Ring Only		
		182/184TC frame	105710	
		143/145TC frame	105709	
		213/215TC frame	106454	
		90 frame	105712	
		100/112 frame	105710	
		132 frame	106468	
9B	2	Set Screws		
		NEMA motor only	J101084	
10	1	Motor Adapter Flange		
		213/215TC frame	106775	106775-1
		90 B14 frame	106781	106781-1
		90 B5 frame	106780	106780-1
		100/112 B14 and 143/145TC frame	106777	106777-1
		100/112 B5 frame	106776	106776-1
		132 B14 frame	106779	106779-1
		132 B5 frame	106778	106778-1
10A	1	Motor Adapter Flange O-Ring (NEMA 213/215 Frame Motors Only)		
		Buna	108165	
		EPDM	108166	
		FKM	108167	

Hardware- All DB22 Models				
Item	Qty	Description	Stainless Steel	Titanium
11	10	Housing Bolt		
			106501	106502
12	10	Housing Lock Washer		
			106503	106504
13	10	Housing Flat Washer		
			106505	106506
14	4	Motor Adapter Bolt		
		All frame sizes except 213/215TC	106495	106498
		213/215TC	106511	106512
15	4	Motor Adapter Lock Washer		
			J101023	105762
16	4	Motor Adapter Flat Washer		
			106497	106500
17	1	Drive Bolt (IEC Only)		
		90 frame	105770	105771
		100/112 frame	105774	105775
		132 frame	106507	106508
18	1	Drive Lock Washer (IEC Only)		
		90 frame	J102282	J103847
		100/112 frame	105757	105758
		132 frame	106503	106504
19	1	Drive Flat Washer (IEC Only)		
		90 frame	105722	105772
		100/112 frame	J101360	106200
		132 frame	106509	106510
20*	4	Motor Adapter Flange Bolt (for IEC with B14 flange and 143/145TC Frames Only)		
		90 frame	108029	106513
		100/112 frame	105589	106514
		132 frame	105774	105775
		143/145TC frame	J101000	107740
21*	4	Motor Adapter Lock Washer (for IEC with B14 flange only)		
		90 frame	J102282	J103847
		100/112 frame	J102282	J103847
		132 frame	105757	105758
22*	4	Motor Adapter Flat Washer (for IEC with B14 flange only)		
		90 frame	J101293	J103845
		100/112 frame	J101293	J103845
		132 frame	N/A	N/A

*Customer must supply motor adapter flange bolt, lock washer and flat washer for IEC frame pumps with B5 flanges.

DB22 Impeller Assemblies

Closed Style													
Thrust Ring	Impeller Material	#1	#1A	#2	#2A	#2B	#2C	#3	#3A	#3B	#3C	4	#4A
		7.25"	7.13"	7.00"	6.88"	6.75"	6.63"	6.50"	6.38"	6.25"	6.13"	6.00"	5.88"
PTFE	Polypro	106472	106472-14	106472-2	106472-16	106472-18	106472-20	106472-4	106472-22	106472-24	106472-26	106472-6	106472-28
	PVDF	106472-1	106472-15	106472-3	106472-17	106472-19	106472-21	106472-5	106472-23	106472-25	106472-27	106472-7	106472-29
SIC	Polypro	106473	106473-14	106473-2	106473-16	106473-18	106473-20	106473-4	106473-22	106473-24	106473-26	106473-6	106473-28
	PVDF	106473-1	106473-15	106473-3	106473-17	106473-19	106473-21	106473-5	106473-23	106473-25	106473-27	106473-7	106473-29
Thrust Ring	Impeller Material	#4B	#4C	#5	#5A	#5B	#5C	6	#6A	#6B	#6C	7	
		5.75"	5.63"	5.50"	5.38"	5.25"	5.13"	5.00"	4.88"	4.75"	4.63"	4.50"	
PTFE	Polypro	106472-30	106472-32	106472-8	106472-34	106472-36	106472-38	106472-10	106472-40	106472-42	106472-44	106472-12	
	PVDF	106472-31	106472-33	106472-9	106472-35	106472-37	106472-39	106472-11	106472-41	106472-43	106472-45	106472-13	
SIC	Polypro	106473-30	106473-32	106473-8	106473-34	106473-36	106473-38	106473-10	106473-40	106473-42	106473-44	106473-12	
	PVDF	106473-31	106473-33	106473-9	106473-35	106473-37	106473-39	106473-11	106473-41	106473-43	106473-45	106473-13	
Open Style													
Thrust Ring	Impeller Material	#8	#8A	#8B	#8C	#9	#9A	#9B	#9C	#10	#10A	#10B	#10C
		6.00"	5.88"	5.75"	5.63"	5.50"	5.38"	5.25"	5.13"	5.00"	4.88"	4.75"	4.63"
PTFE	Polypro	106469-6	106469-26	106469-28	106469-30	106469-8	106469-32	106469-34	106469-36	106469-10	106469-38	106469-40	106469-42
	PVDF	106469-7	106469-27	106469-29	106469-31	106469-9	106469-33	106469-35	106469-37	106469-11	106469-39	106469-41	106469-43
SIC	Polypro	106470-6	106470-26	106470-28	106470-30	106470-8	106470-32	106470-34	106470-36	106470-10	106470-38	106470-40	106470-42
	PVDF	106470-7	106470-27	106470-29	106470-31	106470-9	106470-33	106470-35	106470-37	106470-11	106470-39	106470-41	106470-43
Thrust Ring	Impeller Material	#11	#12	#13	#13A	#13B	#13C	#14	#14A	#14B	#14C	#15	#15A
		4.50"	7.13"	7.00"	6.88"	6.75"	6.63"	6.50"	6.38"	6.25"	6.13"	6.00"	5.88"
PTFE	Polypro	106469-12	106469	106469-2	106469-14	106469-16	106469-18	106469-4	106469-20	106469-22	106469-24	106469-6	106469-26
	PVDF	106469-13	106469-1	106469-3	106469-15	106469-17	106469-19	106469-5	106469-21	106469-23	106469-25	106469-7	106469-27
SIC	Polypro	106470-12	106470	106470-2	106470-14	106470-16	106470-18	106470-4	106470-20	106470-22	106470-24	106470-6	106470-26
	PVDF	106470-13	106470-1	106470-3	106470-15	106470-17	106470-19	106470-5	106470-21	106470-23	106470-25	106470-7	106470-27
Thrust Ring	Impeller Material	#15B	#15C	#16									
		5.75"	5.63"	5.50"									
PTFE	Polypro	106469-28	106469-30	106469-8									
	PVDF	106469-29	106469-31	106469-9									
SIC	Polypro	106470-28	106470-30	106470-8									
	PVDF	106470-29	106470-31	106470-9									

Troubleshooting

General Notes:

- Do not pump liquids containing ferrous metal fines.
- If magnets decouple, stop pump immediately. Operating the pump with the magnets decoupled will eventually weaken the magnets.
- Contact our Technical Service Department If you have any questions regarding product operation or repair:
Phone: 1-800-888-3743
E-mail: techservice@finishthompson.com

No or Insufficient Discharge

- Air leaks in suction piping
- Pump not primed
- System head higher than anticipated
- Closed valve
- Viscosity or specific gravity too high
- Motor too large for magnet coupling rating (magnets uncoupled)
- Suction lift too high or insufficient NPSH
- Clogged suction line or impeller vanes
- Motor rotation incorrect (correct rotation when viewed from the fan end is clockwise)

Insufficient Pressure

- Air or gas in liquid
- Impeller diameter too small
- System head lower than anticipated
- Motors speed insufficient (too low) or motor rotation incorrect (correct rotation when viewed from the fan end is clockwise)

Loss of Prime

- Leak in suction piping
- Foot valve or suction opening not submerged enough
- Foot valve too small or leaking
- Air or gas in liquid
- Foreign matter in impeller
- Leaking valve. Suction lift too high or insufficient NPSHa.

Excessive Power Consumption

- Head lower than rating
- Excessive flow
- Specific gravity or viscosity too high.

Vibration/Noise

- Loose magnet
- Drive magnet rubbing
- Pump cavitating from improper suction or feed
- Motor or piping not properly secured
- Foreign object in impeller

Section V - Warranty

Finish Thompson, Inc (manufacturer) warrants this pump product to be free of defects in materials and workmanship for a period of **five years** from date of purchase by original purchaser. If a warranted defect, which is determined by manufacturer's inspection, occurs within this period, it will be repaired or replaced at the manufacturer's option, provided (1) the product is submitted with proof of purchase date and (2) transportation charges are prepaid to the manufacturer. Liability under this warranty is expressly limited to repairing or replacing the product or parts thereof and is in lieu of any other warranties, either expressed or implied. This warranty does apply only to normal wear of the product or components. This warranty does not apply to products or parts broken due to, in whole or in part, accident, overload, abuse, chemical attack, tampering, or alteration. The warranty does not apply to any other equipment used or purchased in combination with this product. The manufacturer accepts no responsibility for product damage or personal injuries sustained when the product is modified in any way. If this warranty does not apply, the purchaser shall bear all cost for labor, material and transportation.

Manufacturer shall not be liable for incidental or consequential damages including, but not limited to process down time, transportation costs, costs associated with replacement or substitution products, labor costs, product installation or removal costs, or loss of profit. In any and all events, manufacturer's liability shall not exceed the purchase price of the product and/or accessories.

Warranty Registration

Thank you for your purchase of this quality Finish Thompson product. Be sure to take a minute to register your pump at Finishthompson.com/warranty. Simply provide the model number, serial number and a few other pieces of information.

Ordering Spare Parts

Spare parts can be ordered from your local distributor. Always refer to the pump model to avoid error.



FINISH THOMPSON INC.

921 Greengarden Road • Erie, PA 16501-1591 U.S.A.
Ph 814-455-4478 • Fax 814-455-8518

Email fti@finishthompson.com • www.finishthompson.com

Part Number 106782, Rev 19, 4/20/2020

