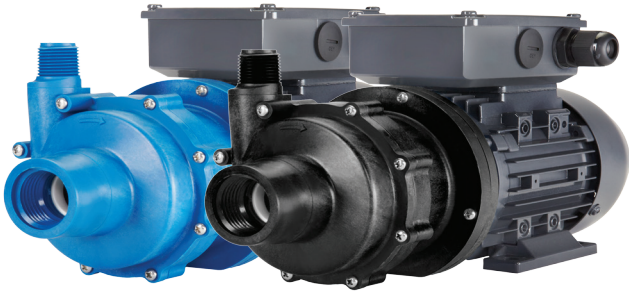


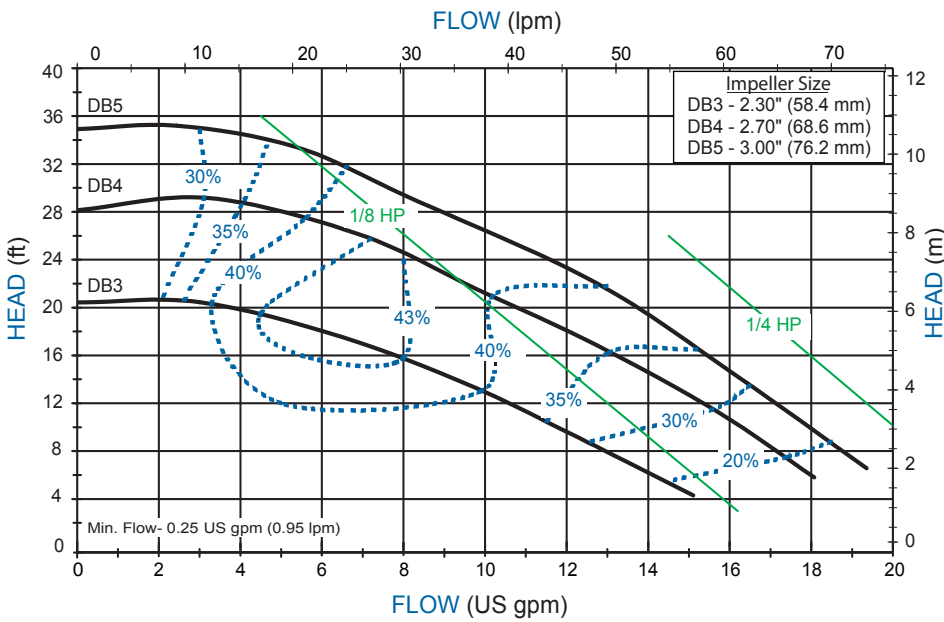


DB SERIES

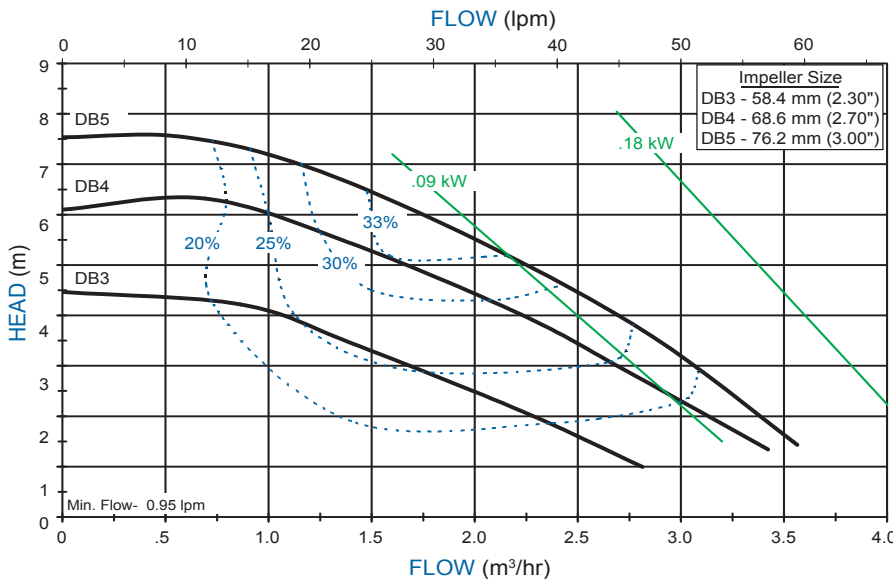
MODELS DB3, DB4, DB5



DB3/4/5 PERFORMANCE 3450 RPM



DB3/4/5 PERFORMANCE 2900 RPM



FEATURES & CAPABILITIES

- + Five-year warranty
- + Extended run dry ability (with carbon bushing)
- + High operating efficiency
- + Polypropylene or PVDF construction
- + Powerful neodymium magnets
- + Close-coupled design
- + Threaded NPT or BSP connections
- + Horizontal or vertical installation
- + Back pullout design
- + Mounts to IEC 56, 63, & 71 B14 motor frames
- + Easy set, measurement free drive
- + CE certified
- + Working pressure to 60 psi (4.1 bar)
- + Specific gravity over 1.8
- + Viscosity up to 150 cP
- + Polypropylene—180° F (82° C)
- + PVDF—220° F (104° C)

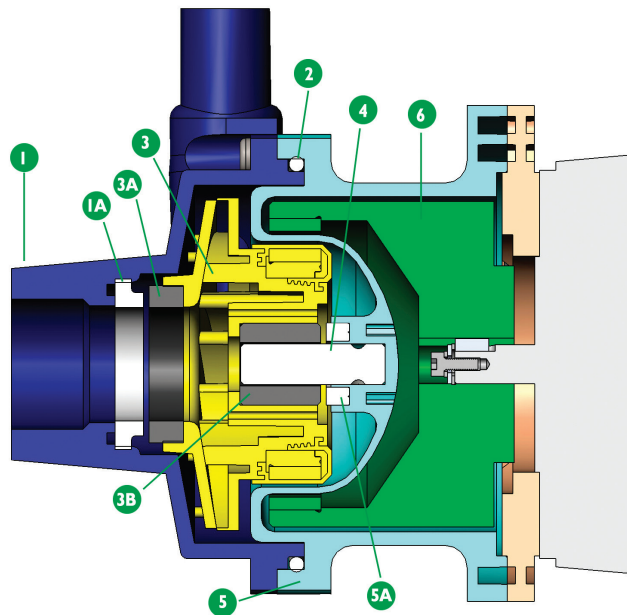
APPLICATIONS

- + Chemical processing
- + Plating
- + Water and wastewater
- + Electronics
- + Pharmaceuticals
- + Wet scrubber
- + Pulp and paper
- + Heat exchanger
- + and many more!

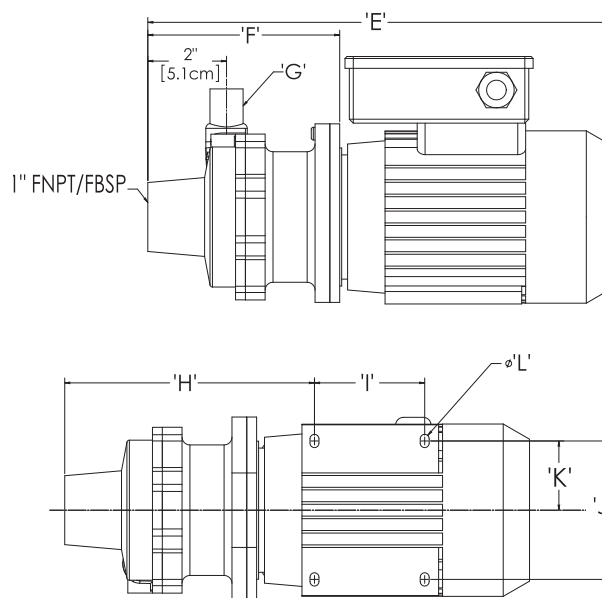
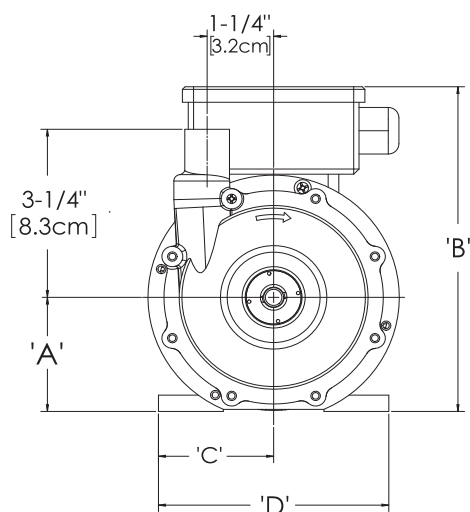
DB SERIES

Specifications

Description	Polypropylene	PVDF
1 Impeller housing	Glass-fiber reinforced polypropylene (GF PP)	Carbon-fiber reinforced PVDF (CF PVDF)
1A Impeller housing thrust ring	High purity alumina ceramic	
2 O-ring	FKM or EPDM	
3 Impeller	GF PP and neodymium iron boron magnets encapsulated in unfilled polypropylene	CF PVDF and neodymium iron boron magnets encapsulated in unfilled PVDF
3A Impeller thrust ring	Glass-fiber molybdenum disulfide filled PTFE	
3B Bushing	Carbon, PTFE, high purity alumina ceramic	
4 Shaft	High purity alumina ceramic	
5 Barrier/Motor adapter	GF PP	CF PVDF
5A Barrier thrust ring	Silicon carbide	
6 Outer drive magnets	Nickel-plated neodymium iron boron magnets/ epoxy painted steel	



Dimensions



Motor Frame	A	B	C	D	E	F	G	H	I	J	K	L	Weight - lbs. [kg]	
													PP	PVDF
IEC 56 w/B14	2-7/32" [5.6 cm]	6-9/32" [16 cm]	2-3/16" [5.5 cm]	4-11/32" [11 cm]	11-25/32" [29.9 cm]	4-7/8" [12.4 cm]	1/2" [1.27 cm]	6-11/32" [16.1 cm]	2-25/32" [7.1 cm]	3-1/2" [8.9 cm]	1-3/4" [4.5 cm]	1/4" [0.58 cm]	3.7 [1.7]	4.05 [1.84]
IEC 63 w/B14	2-15/32" [6.3 cm]	6-3/4" [17.1 cm]	2-23/32" [6.9 cm]	5-13/32" [13.7 cm]	12-25/32" [32.5 cm]	4-7/8" [12.4 cm]	1/2" [1.27 cm]	6-25/32" [17.2 cm]	3-5/32" [8 cm]	3-15/16" [10 cm]	1-31/32" [5 cm]	1/4" [0.58 cm]	3.7 [1.7]	4.05 [1.84]
IEC 71 w/B14	2-13/16" [7.1 cm]	7-3/16" [18.3 cm]	2-23/32" [6.9 cm]	5-13/32" [13.7 cm]	13-5/16" [33.8 cm]	5-5/32" [13.1 cm]	1/2" [1.27 cm]	7-1/32" [17.9 cm]	3-17/32" [9 cm]	4-3/8" [11.1 cm]	2-3/16" [5.6 cm]	5/16" [0.8 cm]	3.9 [1.77]	4.35 [1.97]

Dimensions and weights are for reference only. Weights listed are for pump only; motor not included.



finishthompson.com

FINISH THOMPSON INC. - HEADQUARTERS

921 Greengarden Road | Erie, PA 16501
 800.934.9384 | ph 814.455.4478 | fx 814.455.8518
 email fti@finishthompson.com

FINISH THOMPSON INC. - EUROPE CENTER

Otto-Hahn-Strasse 16 | Maintal, D-63477 Germany
 49 (0)6181-90878-0 | fx 49 (0)6181-90878-18
 email fti@finishthompson.com