



1" MODEL

PERFORMANCE PLUS PLASTIC WITH BALL CHECK VALVE CONFIGURATION SERIAL NUMBERS 62000 AND ABOVE

Refer to Bulletin P-605
Operating and Service Guide O-1230

ITEM	DESCRIPTION	QTY PER PUMP.	MODELS	PART NO.	MATERIAL
1	AIR VALVE END PLUG	1	ALL MODELS	71-1703-60	POLYPRO
2	AIR VALVE SPOOL	1	ALL MODELS	71-0480-31	ACETAL
4	AIR VALVE GASKET	1	ALL MODELS	71-2116-19	NITRILE
5	SHUTTLE PLATE	1	ALL MODELS	71-0416-77	CERAMIC
6	SHUTTLE	1	ALL MODELS	71-0415-00	SPECIAL
7	AIR VALVE BODY	1	ALL MODELS	71-1614-60	POLYPRO
8	SLT WSHR (#8 X 1") SCREW	8	ALL MODELS	71-2525-26	SS
9	SPLIT LOCKWASHER	16	ALL MODELS	71-2316-26	SS
10	FLAT WASHER	4	ALL MODELS	71-2300-26	SS
11	CAP SCREW (1/4" X 5")	4	ALL MODELS	71-2512-26	SS
12	FLAT WASHER (0.875OD)	64	ALL MODELS	71-2314-26	SS
13	DIAPHRAGM ROD (Short)	1	ALL MODELS	*	SS
14	END SPACER (Pilot Sleeve)	2	ALL MODELS	71-0204-40	POLYPRO
15	DIAPHRAGM ROD (Long)	1	ALL MODELS	*	SS
16	BOLT (5/16" X 2-1/4")	16	ALL MODELS	71-2547-26	SS
17	HEX NUT (1/4" - 20)	4	ALL MODELS	71-2600-26	SS
18	HEX NUT (5/16" - 18)	16	ALL MODELS	71-2601-26	SS
19	O-RING (Manifolds)	4	PB PT, KT PE, KE PV, KV	71-1940-11 71-1940-17 71-1940-15 71-1940-13	NITRILE PTFE EPDM VITON
20	BOLT (3/8" X 2-1/4")	16	ALL MODELS	71-2544-26	SS
21	HEX NUT (3/8" - 16)	16	ALL MODELS	71-2602-26	SS
23	SUCTION MANIFOLD	1	P -PUMPS K -PUMPS	71-0555-40 71-0555-56	POLYPRO NYLON
24	SELF TAP SCREW (#6 X 1/2")	6	ALL MODELS	71-2510-26	SS
25	LOCK WASHER	4	ALL MODELS	71-2350-26	SS
26	VALVE SEAT	4	P -PUMPS K -PUMPS	71-0907-40 71-0907-56	POLYPRO PVDF
27	BALL	4	PB PT, KT PE, KE PV, KV	71-1008-11 71-1008-45 71-1008-23 71-1008-13	NITRILE PTFE SANTO VITON
	STAINLESS STEEL	OPT	ALL MODELS	71-1008-26	SS
28	OUTER CHAMBER	2	P -PUMPS K -PUMPS	71-0721-40 71-0721-56	POLYPRO PVDF
29	OUTER DIAPHRAGM PLATE	2	P -PUMPS K -PUMPS	71-1204-40 71-1204-56	POLYPRO PVDF

ITEM	DESCRIPTION	QTY PER PUMP.	MODELS	PART NO.	MATERIAL
30	OVERLAY	2	PT, KT	71-1406-59	PTFE
31	DIAPHRAGM	2	PB PE, KE, PT, KT PV, KV	71-0605-19 71-0605-23 71-0605-13	GEOLAST SANTO VITON
32	DISCHARGE MANIFOLD	1	P -PUMPS K -PUMPS	71-0556-40 71-0556-56	POLYPRO PVDF
33	INNER DIAPHRAGM PLATE	2	ALL MODELS	71-1104-25	PS
34	INTERMEDIATE	1	ALL MODELS	71-1522-60	POLYPRO
36	MUFFLER PLATE	1	ALL MODELS	71-3111-60	POLYPRO
37	EXTERNAL MUFFLER	1	ALL MODELS	71-3007-00	SPECIAL
38	O-RING (Valve Seat)	4	PB PT, KT PE, KE PV, KV	71-1939-11 71-1939-17 71-1939-15 71-1939-13	NITRILE PTFE EPDM VITON
39	GASKET (Muffler Plate)	1	ALL MODELS	71-2117-19	NITRILE
40	LIP SEAL (Diaphragm Rod)	2	ALL MODELS	71-2000-76	NITRILE
41	RETAINING PLATE	2	ALL MODELS	71-2708-40	POLYPRO
42	O-RING (End Spacer)	2	ALL MODELS	71-1923-11	NITRILE
43	LIP SEAL (Air Valve)	2	ALL MODELS	71-2003-76	NITRILE
44	O-RING (Air Valve End Plug)	1	ALL MODELS	71-1913-11	NITRILE
45	PILOT SLEEVE	1	ALL MODELS	71-0105-31	ACETAL
46	O-RING (Pilot Sleeve)	4	ALL MODELS	71-1920-16	URETHANE
47	INNER SPACER (Pilot Sleeve)	3	ALL MODELS	71-0203-40	POLYPRO

* NOTE: DIAPHRAGM ROD AVAILABLE ONLY AS AN ASSEMBLY.

DIAPHRAGM ROD ASSY	1	ALL MODELS	73-2000-00	SS
--------------------	---	------------	------------	----

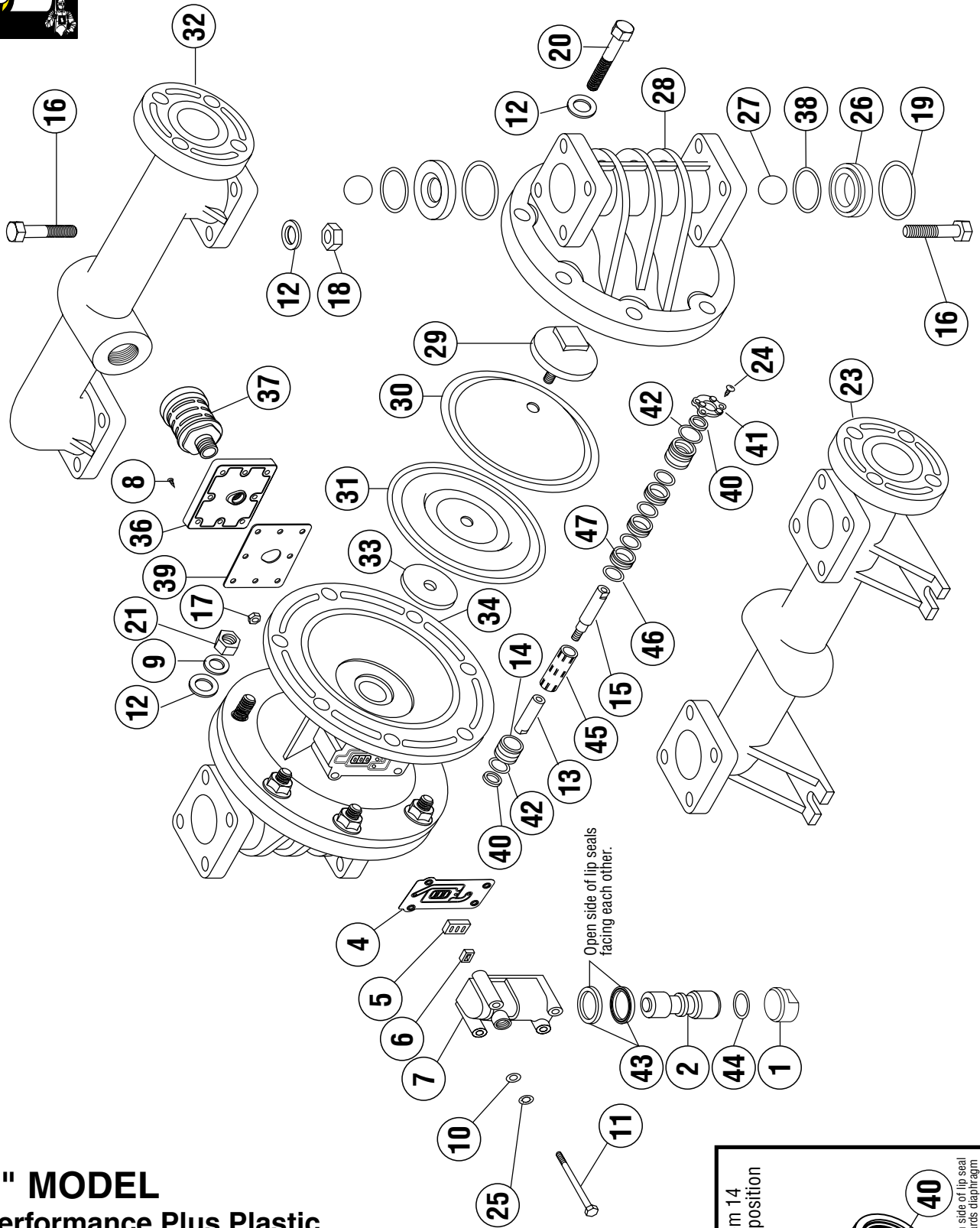
OPTIONAL ASSEMBLIES AVAILABLE

AIR VALVE ASSEMBLY Items 1, 2, 4, 5, 6, 7, 43, 44	1	ALL MODELS	74-2000-60	POLYPRO
--	---	------------	------------	---------

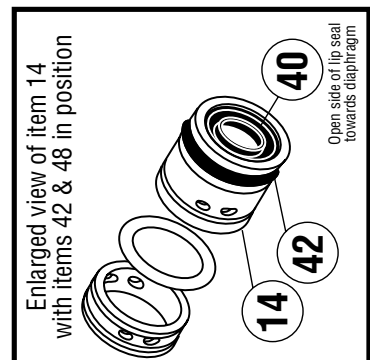
PILOT SLEEVE ASSEMBLY Items 14, 40, 42, 45, 46, 47	1	ALL MODELS	74-1000-00	VARIOUS
---	---	------------	------------	---------

REPAIR KITS - WET END Includes items 19, 26, 27, 31, 38 & (30 - Used in pumps built w/ PTFE) To order a wet end repair kit, add "KIT" to the pump model. e.g. PB-10 KIT				
---	--	--	--	--

NOTE: ¹ PS = PLATED STEEL, SS = STAINLESS STEEL



1" MODEL
Performance Plus Plastic
with Ball Check Valve
Configuration
Serial Numbers 62000 and Above





1" PERFORMANCE PLUS METALLIC MODELS BALL CHECK VALVE CONFIGURATION SERIAL NUMBER 110000 AND ABOVE

ITEM	DESCRIPTION	QTY PER PUMP.	MODELS	PART NO.	MATERIAL
1	AIR VALVE END PLUG	1	ALL MODELS	71-1703-60	POLYPRO
2	AIR VALVE SPOOL	1	ALL MODELS	71-0480-31	ACETAL
3	BOLT (3/8" X 1-1/2")	4	ALL MODELS	71-2534-26	SS
4	AIR VALVE GASKET	1	ALL MODELS	71-2116-19	NITRILE
5	SHUTTLE PLATE	1	ALL MODELS	71-0416-77	CERAMIC
6	SHUTTLE	1	ALL MODELS	71-0415-00	SPECIAL
7	AIR VALVE BODY	1	ALL MODELS	71-1614-60	POLYPRO
8	SLT WSHR (#8 X 1") SCREW	8	ALL MODELS	71-2525-26	SS
9	SPLIT LOCKWASHER	16	ALL MODELS	71-2316-26	SS
10	FLAT WASHER	4	ALL MODELS	71-2300-26	SS
11	CAP SCREW (1/4" X 5")	4	ALL MODELS	71-2512-26	SS
12	FLAT WASHER (0.875OD)	44	ALL MODELS	71-2314-26	SS
13	DIAPHRAGM ROD (Long)	1	ALL MODELS	*	SS
14	END SPACER (Pilot Sleeve)	2	ALL MODELS	71-0204-40	POLYPRO
15	DIAPHRAGM ROD (Long)	1	ALL MODELS	*	SS
16	BOLT (3/8" X 2")	20	ALL MODELS	71-2545-26	SS
17	HEX NUT (1/4" - 20)	4	ALL MODELS	71-2600-26	SS
18	HEX NUT (3/8" - 16)	20	ALL MODELS	71-2602-26	SS
23	SUCTION MANIFOLD (NPT)	1	A -PUMPS	71-0526-20	AL
	SUCTION MANIFOLD (BSP)		S -PUMPS	71-0526-26	SS
			A -PUMPS	71-0527-20	AL
			S -PUMPS	71-0527-26	SS
24	SELF TAP SCREW (#6 X 1/2")	6	ALL MODELS	71-2510-26	SS
25	LOCK WASHER	4	ALL MODELS	71-2350-26	SS
26	VALVE SEAT	4	AB,AE	71-0901-57	POLYPRO
			AT,AV	71-0901-47	NYLON
			S -PUMPS	71-0901-26	SS
27	BALL	4	AB, SB	71-1002-11	GEOLAST
			AT, SP	71-1002-45	PTFE
			AE, SE	71-1002-23	SANTO
			AV, SV	71-1002-13	VITON
	STAINLESS STEEL	OPT	ALL MODELS	71-1002-26	SS
28	OUTER CHAMBER	2	A -PUMPS	71-0721-20	AL
			S -PUMPS	71-0721-26	SS
29	OUTER DIAPHRAGM PLATE	2	P -PUMPS	71-1207-20	AL
			S -PUMPS	71-1207-26	SS
30	OVERLAY	2	AT,SP	71-1406-59	PTFE
31	DIAPHRAGM	2	AB, SB	71-0605-19	GEOLAST
			AE,SE,AT,SP	71-0605-23	SANTO
			AV, SV	71-0605-13	VITON

ITEM	DESCRIPTION	QTY PER PUMP.	MODELS	PART NO.	MATERIAL
32	DISCHARGE MANIFOLD (NPT)	1	A -PUMPS	71-0529-20	AL
			S -PUMPS	71-0529-26	SS
			A -PUMPS	71-0530-20	AL
			S -PUMPS	71-0530-26	SS
33	INNER DIAPHRAGM PLATE PLT	2	ALL MODELS	71-1104-25	PS
34	INTERMEDIATE	1	ALL MODELS	71-1522-60	POLYPRO
36	MUFFLER PLATE	1	ALL MODELS	71-3111-60	POLYPRO
37	EXTERNAL MUFFLER	1	ALL MODELS	71-3007-00	SPECIAL
38	O-RING (Valve Seat)	4	AB,SB	71-1910-11	NITRILE-N
			AT,SP	71-1910-17	PTFE
			AE,SE	71-1910-15	EPDM
			AV, SV	71-1910-13	VITON
39	GASKET (Muffler Plate)	1	ALL MODELS	71-2117-19	NITRILE
40	LIP SEAL (Diaphragm Rod)	2	ALL MODELS	71-2000-76	NITRILE
41	RETAINING PLATE	2	ALL MODELS	71-2708-40	POLYPRO
42	O-RING (End Spacer)	2	ALL MODELS	71-1923-11	NITRILE
43	AIR VALVE LIP SEAL	2	ALL MODELS	71-2003-76	NITRILE
44	O-RING (Valve End Plug)	1	ALL MODELS	71-1913-11	NITRILE
45	PILOT SLEEVE	1	ALL MODELS	71-0105-31	ACETAL
46	O-RING (Pilot Sleeve)	4	ALL MODELS	71-1920-16	URETHANE
47	INNER SPACER (Pilot Sleeve)	3	ALL MODELS	71-0203-40	POLYPRO

* NOTE: DIAPHRAGM ROD AVAILABLE ONLY AS AN ASSEMBLY.

DIAPHRAGM ROD ASSEMBLY Items 13 & 15	1	ALL MODELS	73-2000-00	SS
---	---	------------	------------	----

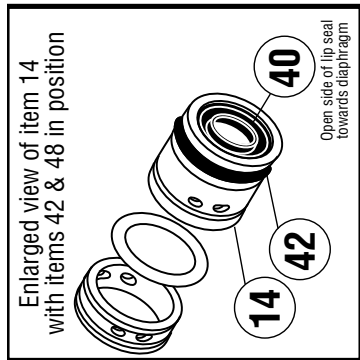
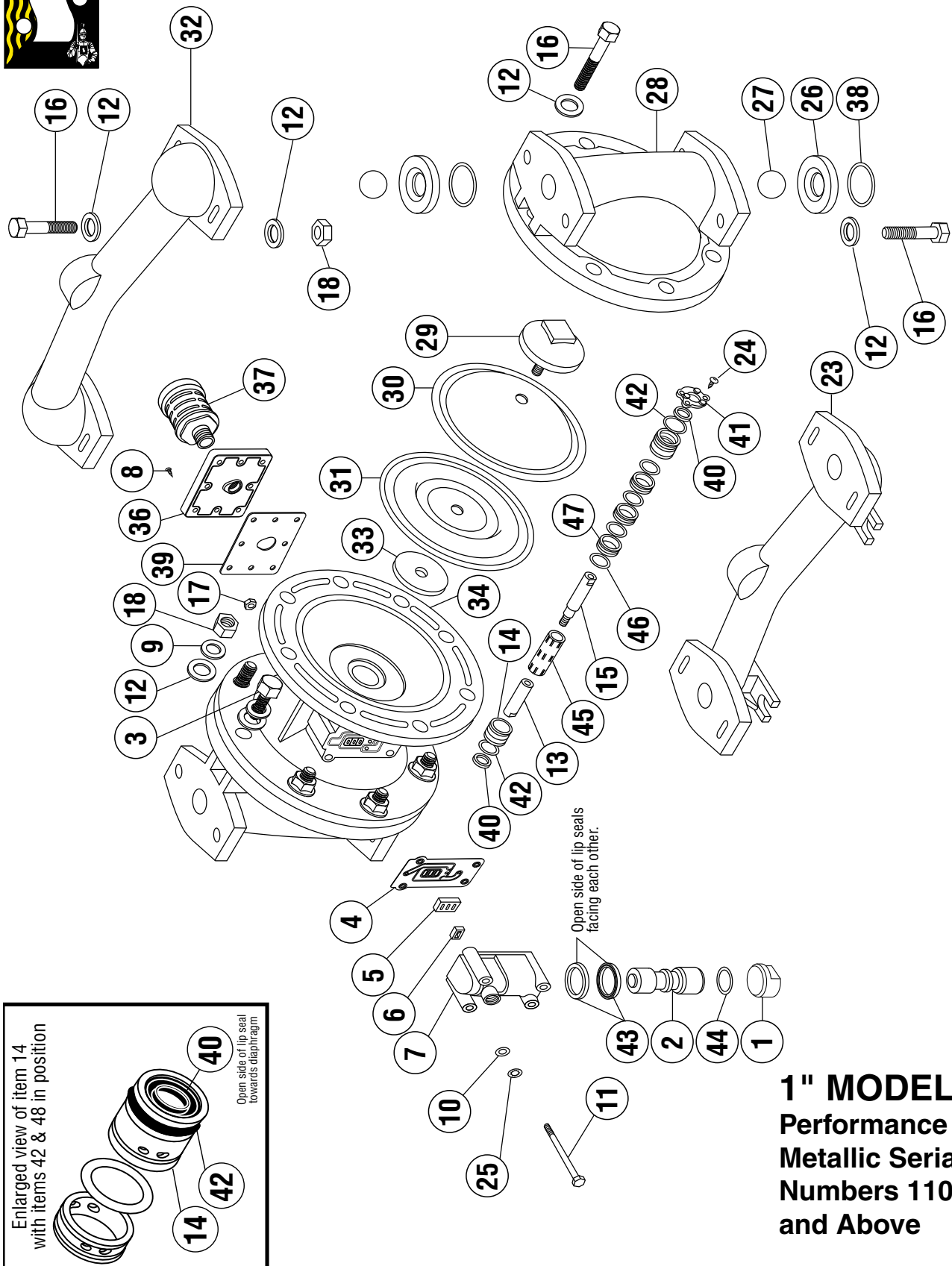
OPTIONAL ASSEMBLIES AVAILABLE

AIR VALVE ASSEMBLY Items 1, 2, 4, 5, 6, 7, 43, 44	1	ALL MODELS	74-2000-60	POLYPRO
--	---	------------	------------	---------

PILOT SLEEVE ASSEMBLY Items 14, 40, 42, 45, 46, 47	1	ALL MODELS	74-1000-00	VARIOUS
---	---	------------	------------	---------

REPAIR KITS - WET END Includes items 26, 27, 31, 38 & (30 - Used in pumps built w/ PTFE) To order a wet end repair kit, add "KIT" to the pump model. e.g. AB-10 KIT				
---	--	--	--	--

NOTE: 1 PS = PLATED STEEL, SS = STAINLESS STEEL

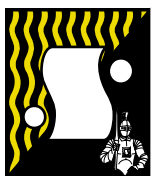


1" MODEL
Performance Plus
Metallic Serial
Numbers 11000
and Above

F.O.B. Northbrook, Illinois

Terms: Net 30 Days

Minimum order \$50.00



SERFILCO, LTD.

2900 MacArthur Blvd. 847-509-2900
Northbrook, IL 60062-2005 U.S.A. 800-323-5431
e-mail: sales@serfilco.com FAX: 847-559-1141
www.serfilco.com