

# AIR DRIVEN DIAPHRAGM PUMPS

## 3/8" Specialty Performance - Plastic

Parts List  
P-9130  
Page 1  
JAN. 2009

Refer to Bulletin P-605, Operating and Service Guide O-1220

ITEM	DESCRIPTION	QTY PER PUMP	MODELS	PART NO.	MATERIAL
1	Rod Guide	1	All	71-2807-31	Acetal
2	Air Valve Assembly	1	All	74-0380-54	Various
3	Hex Nut (1/4" x 20)	4	All	71-2600-26	SS
4	Flat Washer	8	All	71-2300-26	SS
5	Diaphragm Rod	1	All	71-0316-26	SS
6	Clamp (Complete with Fastners)	2	All	71-2913-26	SS
7	Hex Nut (5/16" - 18)	4	All	71-2601-26	SS
8	Carriage Bolt (5/16" x 1-1/2")	4	All	71-2509-26	SS
9	#8 x 1-3/4 Phillips Pan	6	All	71-2548-26	SS
10	Pipe Plug, 3/8" NPT	2	PB, PT, PE, PV, CB, CT, CV, KT, KE, KV	71-2206-40 71-2206-42 71-2206-56	Polypro Nylon PVDF
11	Suction Manifold	1	PB, PT, PE, PV, CB, CT, CV, KT, KE, KV	71-0570-40 71-0570-46 71-0570-56	Polypro Cond. Nylon PVDF
12	O-ring, Check Valve	4	PB, CB, PT, CT, KT, PE, KE, PV, CV, KV	71-1938-11 71-1938-17 71-1938-15 71-1938-82	Nitrile PTFE EPDM Viton
13	Max-Pass Valve	4	PB, CB, PE, KE, PV, CV, KV	71-0915-11 71-0915-15 71-0915-82	Nitrile EPDM Viton
14	Max-Pass Valve Backup	4	PB, PE, PV, CB, CV, KE, KV	71-0916-40 71-0916-46 71-0916-56	Polypro Cond. Nylon PVDF
15	Max-Pass Sleeve	4	PB, PE, PV, CB, CV, KE, KV	71-0917-40 71-0917-42 71-0917-56	Polypro Nylon PVDF
16	Outer Chamber	2	PB, PT, PE, PV, CB, CT, CV, KT, KE, KV	71-0701-40 71-0701-46 71-0701-56	Polypro Cond. Nylon PVDF
17	Outer Diaphragm Plate	2	PB, PT, PE, PV, CB, CT, CV, KT, KE, KV	71-1201-40 71-1201-46 71-1201-56	Polypro Cond. Nylon PVDF
18	Diaphragm	2	PT, CT, KT, PV, CV, KV	71-1401-59	PTFE
19	Diaphragm	2	PB, CB, KE, PE, KE	71-0601-19 71-0601-23	Geolast Santoprene
20	Discharge Manifold	1	PB, PT, PE, PV, CB, CT, CV, KT, KE, KV	71-0571-40 71-0571-46 71-0571-56	Polypro Cond. Nylon PVDF

ITEM	DESCRIPTION	QTY PER PUMP	MODELS	PART NO.	MATERIAL
21	Inner Diaphragm Plate	2	All	71-1101-25	PS
22	Intermediate	1	All	71-1503-60	Polypro
23	Cap Screw	4	All	71-2515-26	SS
24	Muffler	1	All	71-3008-00	Special
25	O-ring, Diaphragm	2	PT, CT, KT, PV, CV, KV	71-1942-11	Nitrile
26	Lip Seal	2	All	71-2005-76	Nitrile
27	Ball Cage Check balls are standard in PT, KT and CT Pumps optional for other pumps	4	PT CT KT	71-0914-40 71-0914-46 71-0914-56	Polypro Cond. Nylon PVDF
28	Valve Seat Check balls are standard in PT, KT and CT Pumps optional for other pumps	4	PT CT KT	71-0913-40 71-0913-26 71-0913-56	Polypro SS PVDF
29	Ball Check balls are standard in PT, KT and CT Pumps optional for other pumps	4	PT, CT, KT	71-1000-45	PTFE

#### REPAIR KITS - WET END

Models CT, KT & PT include items 12, 18, 25, 28 & 29

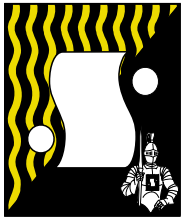
Models PV, CV & KV include items 12, 13, 14, 19 & 25

Models PB, BC, PE & KE include items 12, 13, 14 & 19

To order a wet end repair kit, add "KIT" to the pump model. e.g. PB-038 KIT

#### NOTES:

1. SS = Stainless Steel, PS = Plated Steel
2. Stock models (except PT, KT and CT models) are built with Max-Pass Valves and use items 13, 14, and 15.
3. PT, KT and CT pumps are not built with Max-Pass valves. These pumps have a stock Check Ball configuration

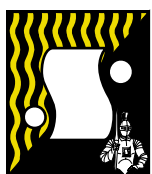
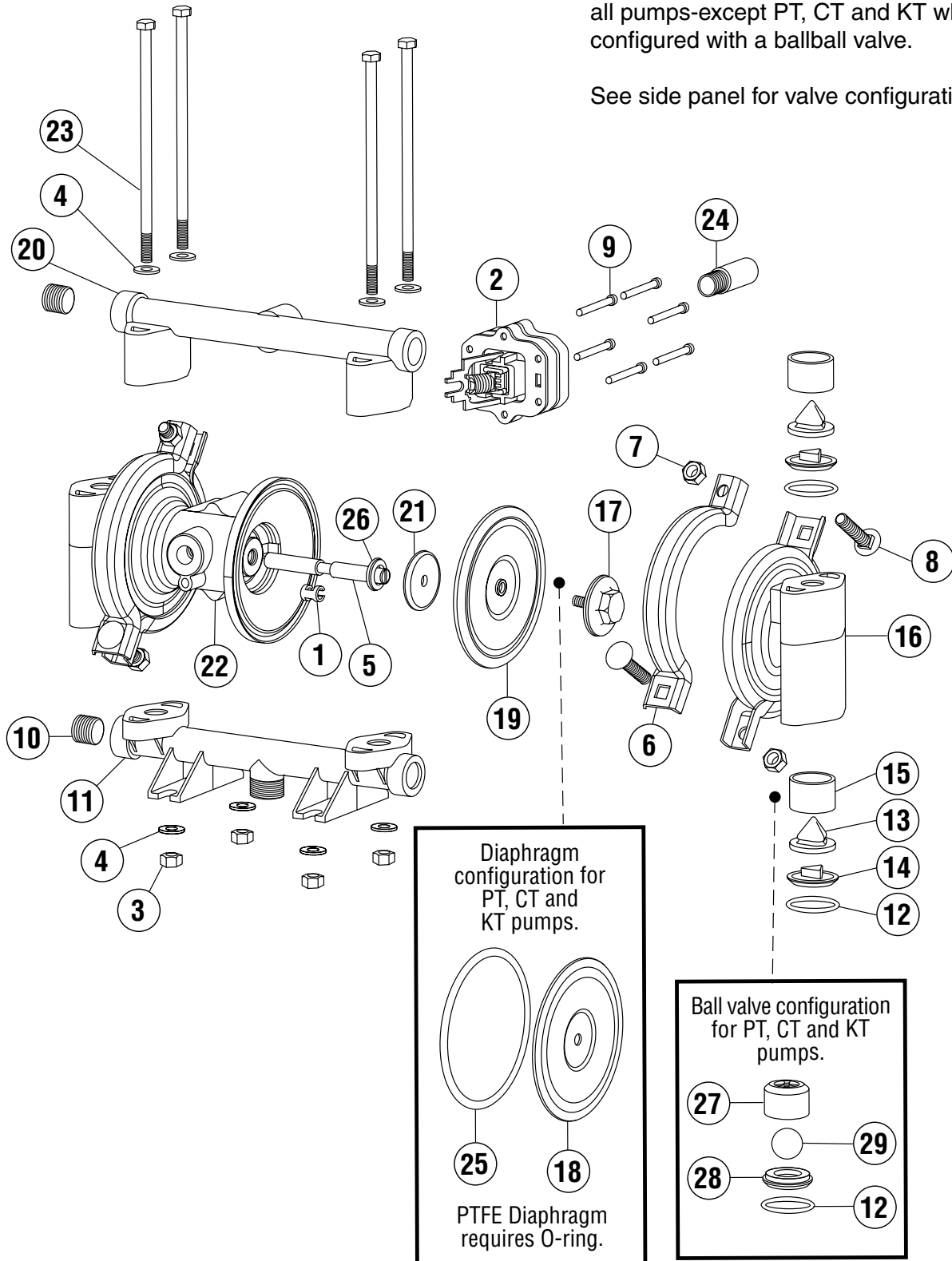


# 3/8" MODEL

Specialty Performance Plastic  
Serial Numbers 128600 and Above

The Max-Pass Valve shown is standard for all pumps-except PT, CT and KT which are configured with a ballball valve.

See side panel for valve configuration.



# SERFILCO, LTD.

2900 MacArthur Blvd. 847-509-2900  
Northbrook, IL 60062-2005 U.S.A. 800-323-5431  
e-mail: sales@serfilco.com FAX: 847-559-1141  
www.serfilco.com

F.O.B. Northbrook, Illinois  
Terms: Net 30 days  
Minimum order \$50.00