



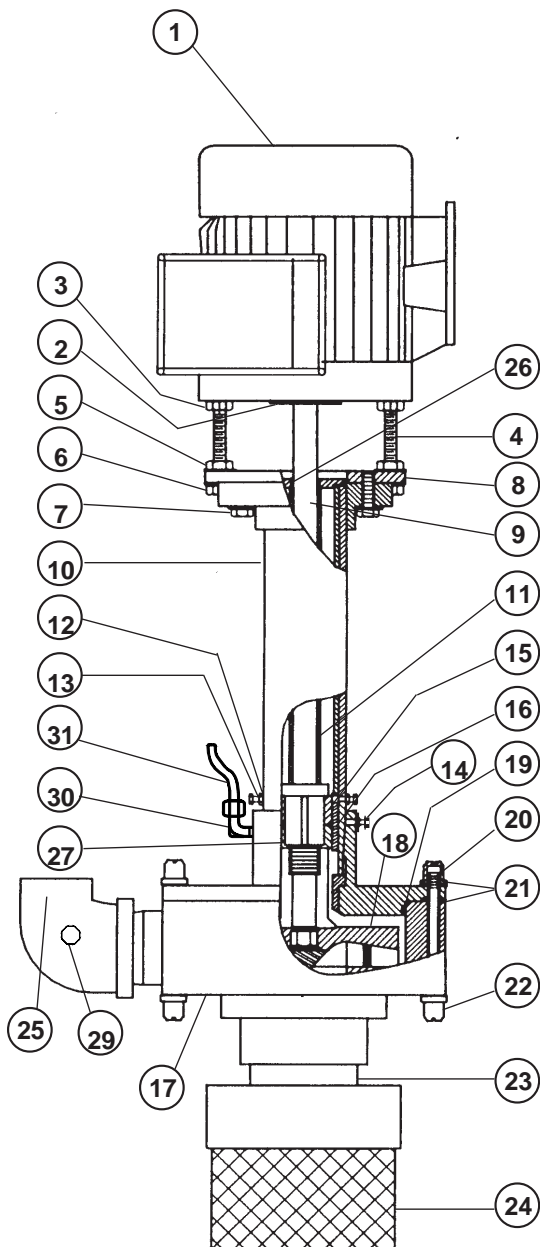
SERIES 'B2' VERTICAL PUMPS

PARTS LIST
P-3175E
DEC. 1999

MODELS
B2 x 4
B2 x 5
B2 x 6

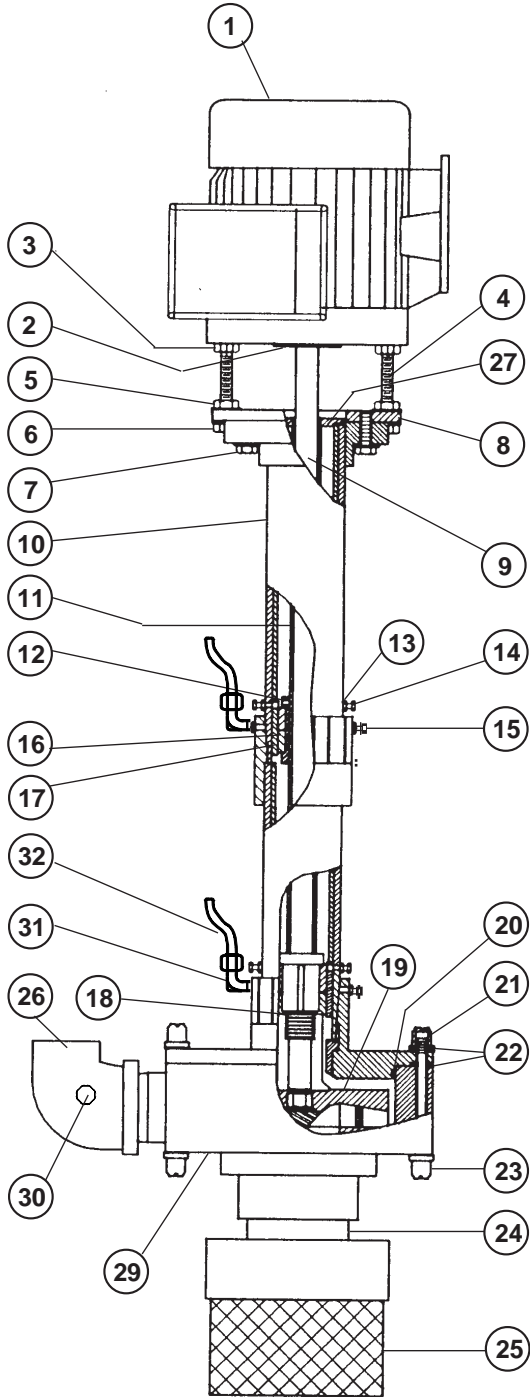
Refer to Bulletin P-303, Operation and Service Guide O-315 and Master Price List F-800.

Single Bearing



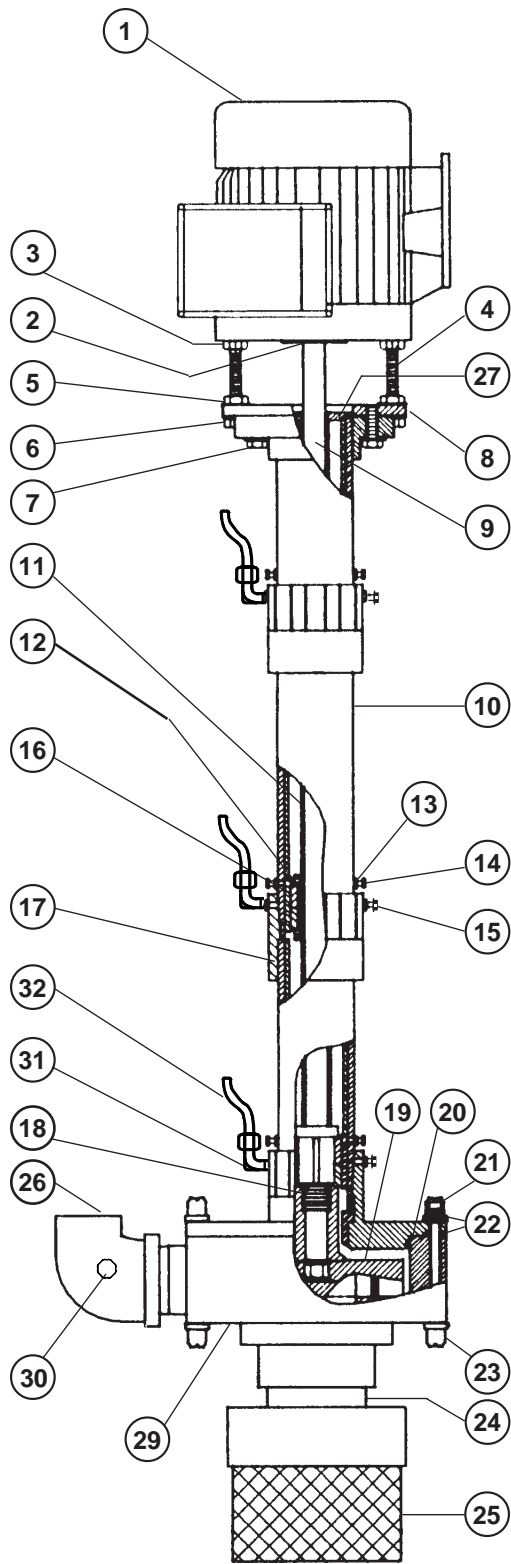
ITEM	DESCRIPTION	PART NUMBERS	
		24"	36"
1	Motor 5 HP, 1725 RPM, 208-230/460/3/60, 184TCZ 7.5 HP, 1725 RPM, 208-230/460/3/60, 213TCZ 10 HP, 1725 RPM, 208-230/460/3/60, 215TCZ	66-1360 A 66-1361 A 66-1362 A	
2	Slinger washer - Neoprene	55-0140	
3	Hex nut, 1/2"-13 - stainless steel (4 req'd)	11-0106	
4	Stud, 1/2"-13 - stainless steel (4 req'd)	11-0212	
5	Lock nut, 1/2"-13 - stainless steel (4 req'd) Flat washer, 1/2" - stainless steel (4 req'd)	11-0513 11-0124	
6	Hex nut, 1/2"-13 - stainless steel (4 req'd) Lock washer, 1/2" - stainless steel (4 req'd) Flat washer, 1/2" - stainless steel (4 req'd)	11-0106 11-0343 11-0124	
7	Hex bolt, 1/2"-13 x 1 3/4" (w/o mtg. plate) - stainless steel (4 req'd) 1/2"-13 x 2 3/4" (w/ mtg. plate) - stainless steel (4 req'd) Lock washer, 1/2" - stainless steel (4 req'd) Flat washer, 1/2" - stainless steel (4 req'd)	11-0646 11-2143 11-0343 11-0124	
8	Adapter plate - steel	77-9949	
9	Shaft - stainless steel	43-0782	43-0785
10	Column assembly - CPVC includes Items 12, 13, 14 & 16 (B2 x 4, B2 x 5) (B2 x 6)	43-09132 43-09242	43-09133 43-09243
11	Shaft sleeve - CPVC	43-0781	43-0786
12	Nut, 1/4" - 20 - titanium (4 req'd) - Hastelloy (opt.) (4 req'd)	11-0334 11-0458	
13	Hex bolt, 1/4" - 20 x 3/4" - titanium (2 req'd)	33-0044	
14	Hex bolt, 1/4" - 20 x 1" - titanium (2 req'd) - Hastelloy (opt.) (4 req'd)	11-0335 11-0459	
15	Ring, RH/LH - graphite (1 each req'd) - Rulon (1 each req'd) Bearing spacer - CPVC	44-1974 / 44-1973 44-1976 / 44-1975 44-1977	
16	Casing liner - ceramic	44-1979	
17	Suction casing assembly - CPVC (B2 x 4, B2 x 5) (B2 x 6)	43-0758 43-0920	
18	Impeller assembly - CPVC 7" (B2 x 4) 8" (B2 x 5) 9" (B2 x 6)	43-0751 43-0773 43-0915	
19	"O"-ring (B2 x 4, B2 x 5) - EPDM - Viton (optional) (B2 x 6) - EPDM - Viton (optional)	22-0773 22-0774 22-0768 22-0769	
20	Cap nut stud assembly - stn. steel (8 req'd)	44-7438	
21	"O"-ring - EPDM (24 req'd) - Viton (24 req'd) optional	22-0569 22-0568	
22	Cap nut - CPVC (8 req'd)	44-2682	
23	Nipple, 4" NPT close - CPVC	33-1046	
24	Suction strainer - CPVC	99-1138	
25	90° Elbow, 3" - CPVC	33-0999	
26	Vapor seal	55-0567	
27	"O"-ring - EPDM - Viton (optional)	22-0605 22-0604	
28	Mounting plate, 24" square - PVC (not shown) (B2 x 4, B2 x 5) (B2 x 6)	43-0770 43-0926	
29	Plug, 1/4" NPT - CPVC	33-0856	
30	Hose connector elbow, 1/4" NPT (4 req'd) - polypropylene - PVDF (optional)	44-1605 44-1605 1	
31	Tubing, 1/4" O.D. (per ft.) - polypropylene - Teflon (optional)	44-1612 44-1612 1	
32	Discharge pipe (not shown)	43-09142	43-09143

Double Bearing



ITEM	DESCRIPTION	PART NUMBERS		
		48"	60"	72"
1	Motor 5 HP, 1725 RPM, 208-230/460/3/60, 184TCZ 7.5 HP, 1725 RPM, 208-230/460/3/60, 213TCZ 10 HP, 1725 RPM, 208-230/460/3/60, 215TCZ		66-1360 A 66-1361 A 66-1362 A	
2	Slinger washer - Neoprene		55-0140	
3	Hex nut, 1/2"-13 - stainless steel (4 req'd)		11-0106	
4	Stud, 1/2"-13 - stainless steel (4 req'd)		11-0212	
5	Lock nut, 1/2"-13 - stainless steel (4 req'd) Flat washer, 1/2" - stainless steel (4 req'd)		11-0513 11-0124	
6	Hex nut, 1/2"-13 - stainless steel (4 req'd) Lock washer, 1/2" - stainless steel (4 req'd) Flat washer, 1/2" - stainless steel (4 req'd)		11-0106 11-0343 11-0124	
7	Hex bolt, 1/2"-13 x 1 3/4" (w/o mtg. plate) - stainless steel (4 req'd) 1/2"-13 x 2 3/4" (w/ mtg. plate) - stainless steel (4 req'd) Lock washer, 1/2" - stainless steel (4 req'd) Flat washer, 1/2" - stainless steel (4 req'd)		11-0646 11-2143 11-0343 11-0124	
8	Adapter plate - steel		77-9949	
9	Shaft - stainless steel	43-0777	43-0794	43-0906
10	Column assembly - CPVC includes Items 13, 14, 15 & 17 (B2 x 4, B2 x 5) (B2 x 6)	43-09134 43-09244	43-09135 43-09245	43-09136 43-09246
11	Shaft sleeve - CPVC (Includes #12)	43-0778	43-0795	43-0909
12	Set collar - CPVC Set screw, 1/4" - 20 - titanium (4 req'd) - Hastelloy (opt.) (4 req'd)		44-1621 11-0476 11-0681	
13	Nut, 1/4" - 20 - titanium (8 req'd) - Hastelloy (opt.) (8 req'd)		11-0334 11-0458	
14	Hex bolt, 1/4" - 20 x 3/4" - titanium (4 req'd)		33-0044	
15	Hex bolt, 1/4" - 20 x 1" - titanium (4 req'd) - Hastelloy (opt.) (8 req'd)		11-0335 11-0459	
16	Ring, RH/LH - graphite (2 each req'd) - Rulon (2 each req'd) Bearing spacer - CPVC (2 req'd)		44-1974 / 44-1973 44-1976 / 44-1975 44-1977	
17	Casing liner - ceramic (2 req'd)		44-1979	
18	"O"-ring - EPDM - Viton (optional)		22-0605 22-0604	
19	Impeller assembly - CPVC 7" (B2 x 4) 8" (B2 x 5) 9" (B2 x 6)		43-0751 43-0773 43-0915	
20	"O"-ring (B2 x 4, B2 x 5) - EPDM - Viton (optional) (B2 x 6) - EPDM - Viton (optional)		22-0773 22-0774 22-0768 22-0769	
21	Cap nut stud assembly (8 req'd)		44-7438	
22	"O"-ring - EPDM (24 req'd) - Viton (opt.) (24 req'd)		22-0569 22-0568	
23	Cap nut - CPVC (8 req'd)		44-2682	
24	Nipple, 4" NPT close - CPVC		33-1046	
25	Suction strainer - CPVC		99-1138	
26	90° Elbow, 3" - CPVC		33-0999	
27	Vapor seal		55-0567	
28	Mounting plate, 24" sq. (B2 x 4, B2 x 5) - PVC (not shown) (B2 x 6)		43-0770 43-0926	
29	Suction casing ass'y - CPVC (B2 x 4, B2 x 5) (B2 x 6)		43-0758 43-0920	
30	Plug, 1/4" NPT - CPVC		33-0856	
31	Hose connector elbow, 1/4" NPT (6 req'd) - polypropylene - PVDF (optional)		44-1605 44-1605 1	
32	Tubing, 1/4" O.D. (per ft.) - polypropylene - Teflon (optional)		44-1612 44-1612 1	
33	Manifold - CPVC (not shown)		43-0017	
34	Discharge pipe support collar (2 req'd) (not shown)		44-2742	
35	Set screw 1/4" - 20 (8 req'd) (not shown)		11-0505	
36	Discharge pipe (not shown)	43-09144	43-09145	43-09146

Triple Bearing



ITEM	DESCRIPTION	PART NUMBERS		
		84"	96"	108"
1	Motor 5 HP, 1725 RPM, 208-230/460/3/60, 184TCZ 7.5 HP, 1725 RPM, 208-230/460/3/60, 213TCZ 10 HP, 1725 RPM, 208-230/460/3/60, 215TCZ	66-1360 A 66-1361 A 66-1362 A		
2	Slinger washer - Neoprene	55-0140		
3	Hex nut, 1/2"-13 - stainless steel (8 req'd)	11-0106		
4	Stud, 1/2"-13 - stainless steel (4 req'd)	11-2012		
5	Lock nut, 1/2"-13 - stainless steel (4 req'd) Flat washer, 1/2" - stainless steel (4 req'd)	11-0513 11-0124		
6	Hex nut, 1/2"-13 - stainless steel (8 req'd) Lock washer, 1/2" - stainless steel (8 req'd) Flat washer, 1/2" - stainless steel (4 req'd)	11-0106 11-0343 11-0124		
7	Hex bolt, 1/2"-13 x 1 3/4" (w/o mtg. plate) - stainless steel (4 req'd) 1/2"-13 x 2 3/4" (w/ mtg. plate) - stainless steel (4 req'd) Lock washer, 1/2" - stainless steel (4 req'd) Flat washer, 1/2" - stainless steel (4 req'd)	11-0646 11-2143 11-0343 11-0124		
8	Adapter plate - steel	77-9949		
9	Shaft - stainless steel	43-0792	43-0766	43-0907
10	Column assembly - CPVC includes Items 13, 14, 15 & 17	43-09137	43-09138	43-09139
11	Shaft sleeve - CPVC (Includes Item #12)	43-0793	43-0910	43-0911
12	Set collar - CPVC (2 req'd) Top bushing - CPVC Set screw, 1/4" - 20 - titanium (12 req'd) - Hastelloy (opt.) (12 req'd)	44-1621 44-1013 B 11-0476 11-0681		
13	Nut, 1/4" - 20 x 3/4" - titanium (12 req'd) - Hastelloy (12 req'd)	11-0334 11-0458		
14	Hex bolt, 1/4" - 20 x 3/4" - titanium (6 req'd)	33-0044		
15	Hex bolt, 1/4" - 20 x 1" - titanium (6 req'd) - Hastelloy (opt.) (12 req'd)	11-0335 11-0459		
16	Ring, RH/LH - graphite (3 each req'd) - Rulon (3 each req'd) Bearing spacer - CPVC (3 req'd)	44-1974 / 44-1973 44-1976 / 44-1975 44-1977		
17	Casing liner - ceramic (3 req'd)	44-1979		
18	"O"-ring - EPDM - Viton (optional)	22-0605 22-0604		
19	Impeller assembly - CPVC 7" (B2 x 4) 8" (B2 x 5)	43-0751 43-0773		
20	"O"-ring (B2 x 4, B2 x 5) - EPDM - Viton (optional)	22-0773 22-0774		
21	Cap nut stud assembly (8 req'd)	44-7438		
22	"O"-ring - EPDM (24 req'd) - Viton (opt.) (24 req'd)	22-0569 22-0568		
23	Cap nut - CPVC (8 req'd)	44-2682		
24	Nipple, 4" NPT close - CPVC	33-1046		
25	Suction strainer - CPVC	99-1138		
26	90° Elbow, 3" - CPVC	33-0999		
27	Vapor seal	55-0567		
28	Mounting plate, 24" sq. - PVC (B2 x 4, B2 x 5) (not shown)	43-0770		
29	Suction casing ass'y - CPVC (B2 x 4, B2 x 5)	43-0758		
30	Plug, 1/4" NPT - CPVC	33-0856		
31	Hose connector elbow, 1/4" NPT (6 req'd) - polypropylene - PVDF (optional)	44-1605 44-1605 1		
32	Tubing, 1/4" O.D. (per ft.) - polypropylene - Teflon (optional)	44-1612 44-1612 1		
33	Manifold - CPVC (not shown)	43-0018		
34	Discharge pipe support collar (2 req'd) (not shown)	44-2742		
35	Set screw 1/4" - 20 (8 req'd) (not shown)	11-0505		
36	Discharge pipe (not shown)	43-09147	43-09148	43-09149