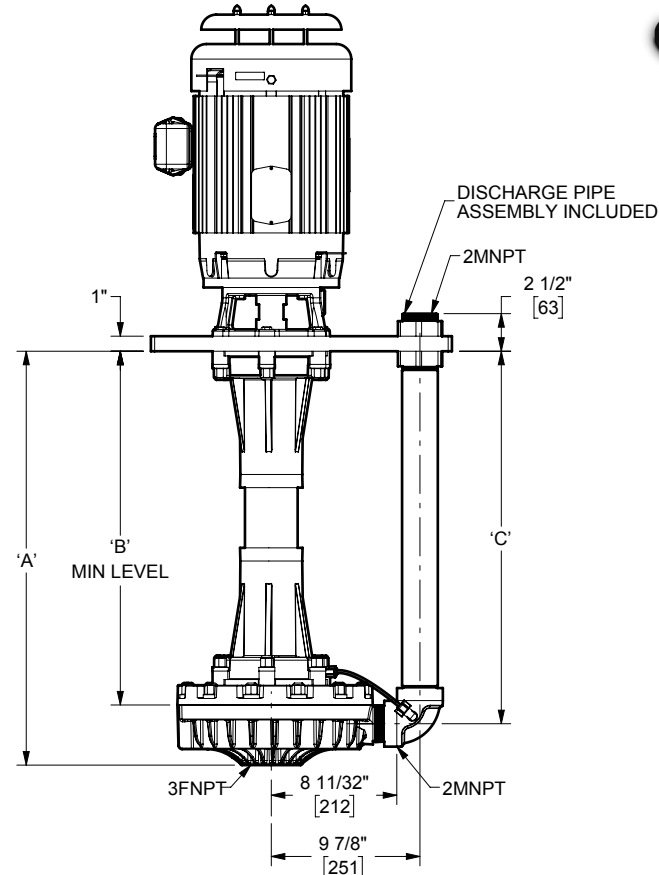
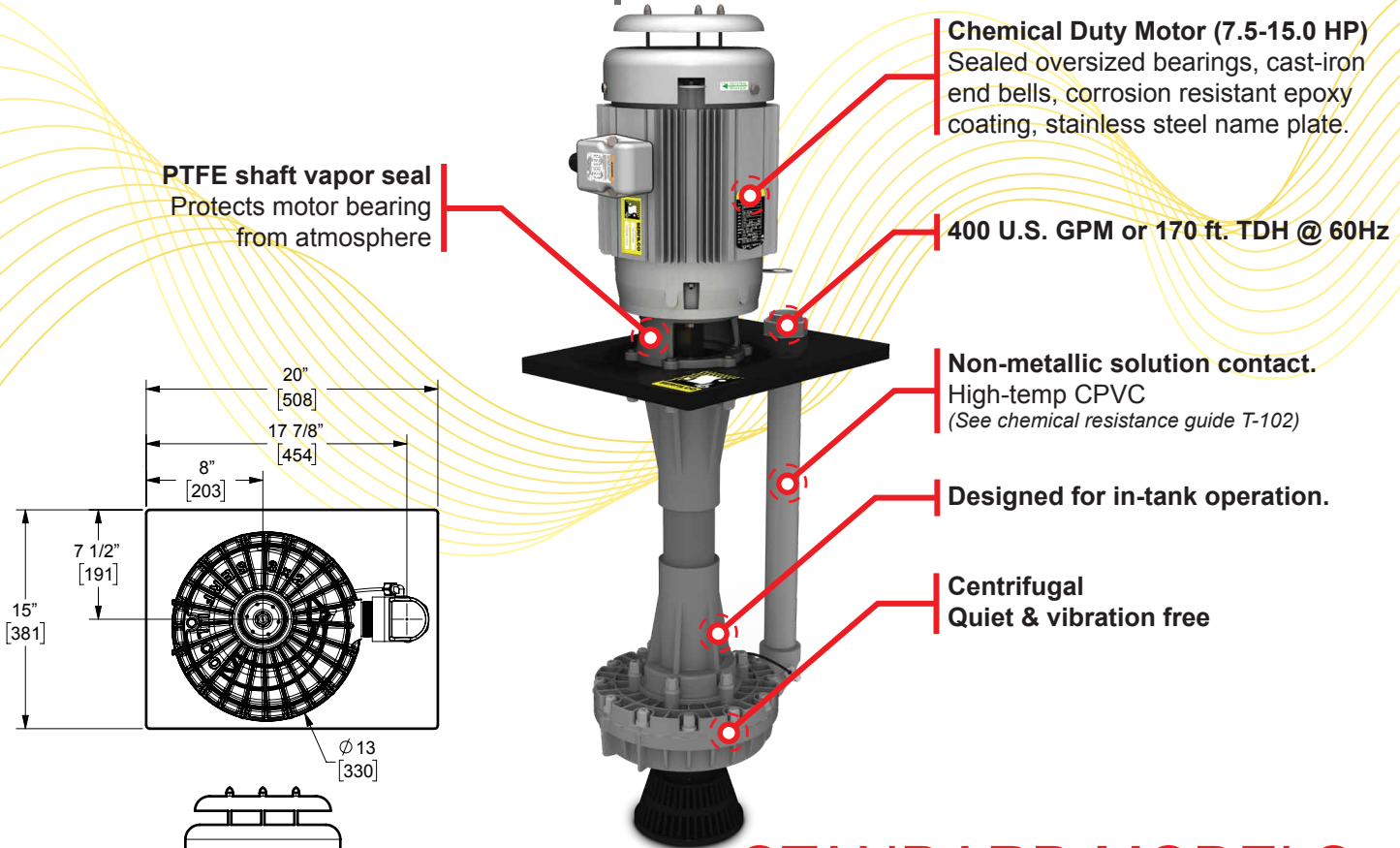




SERIES 'EFB' | VERTICAL PUMPS



STANDARD MODELS

CPVC, 2 FEET LONG			DIMENSIONS		
CURVE	MODEL NUMBER	PRICE CODE	DIM	in	mm
1	EFB3X2-1SC-D7.5-24-CG	45-3011-21	A	27-1/2"	699
2	EFB3X2-2SC-D10.0-24-CG	45-3022-21	B	23-1/2"	597
3	EFB3X2-3SC-D15.0-24-CG	45-3033-21			
5	EFB3X2-5SC-H7.5-24-CG	45-3054-21	C	24-3/4"	629
6	EFB3X2-6SC-D7.5-24-CG	45-3061-21			

CPVC, 3 FEET LONG			DIMENSIONS		
CURVE	MODEL NUMBER	PRICE CODE	DIM	in	mm
1	EFB3X2-1SC-D7.5-36-CG	45-3011-31	A	39-1/2"	1003
2	EFB3X2-2SC-D10.0-36-CG	45-3022-31	B	35-1/2"	902
3	EFB3X2-3SC-D15.0-36-CG	45-3033-31			
5	EFB3X2-5SC-H7.5-36-CG	45-3054-31	C	36-3/4"	933
6	EFB3X2-6SC-D7.5-36-CG	45-3061-31			

CPVC, 4 FEET LONG			DIMENSIONS		
CURVE	MODEL NUMBER	PRICE CODE	DIM	in	mm
1	EFB3X2-1SC-D7.5-48-CG	45-3011-41	A	51-1/2"	1308
2	EFB3X2-2SC-D10.0-48-CG	45-3022-41	B	47-1/2"	1207
3	EFB3X2-3SC-D15.0-48-CG	45-3033-41			
5	EFB3X2-5SC-H7.5-48-CG	45-3054-41	C	48-3/4"	1238
6	EFB3X2-6SC-D7.5-48-CG	45-3061-41			

*For custom pump-motor combinations, please consult Serfilco sales department (800)-323-5431



'EFB' VERTICAL PUMPS

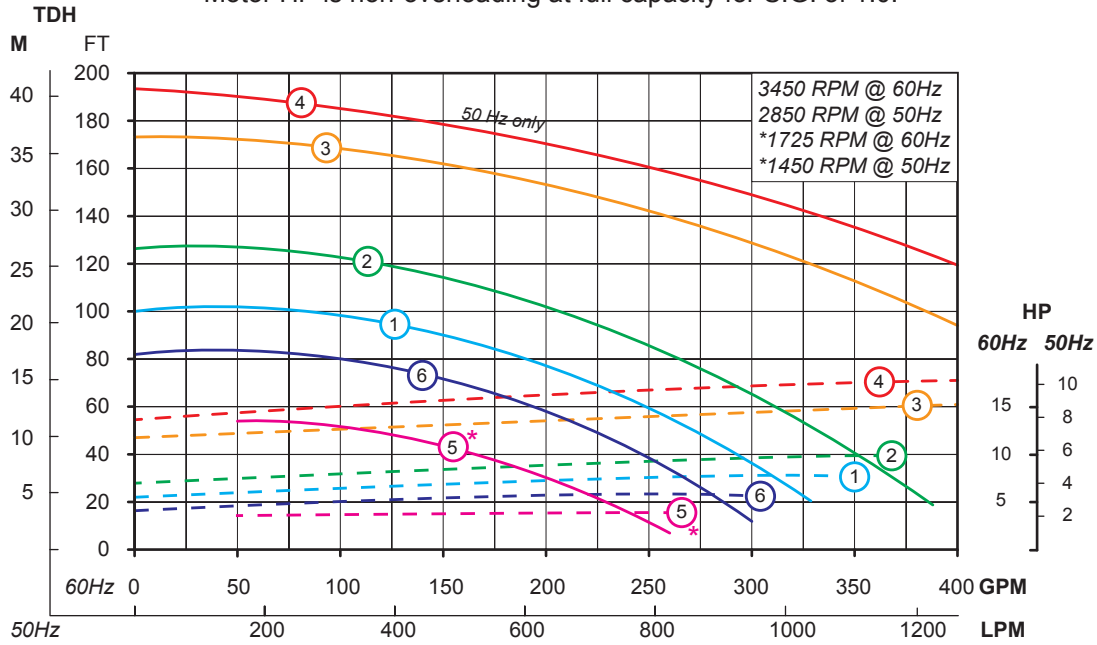
ORDER INFORMATION

For standard pump-motor combination, select model from the Standard Models Table.

Select flow curve number then match to Model # listed on page 1.

Standard models include: EPDM elastomers (CPVC), Rulon bearings.

Motor HP is non-overloading at full capacity for S.G. of 1.0.



OPTIONS

DESCRIPTION	SUFFIX TO MODEL	ADD TO PCN
Viton O-Rings installed	-V	-V

DESCRIPTION	CPVC MODEL	
	PRICE CODE NUMBER	
Suction Strainer	99-0745	
Suction Extension w/ Strainer	12"	46-0081
	24"	46-0082
	36"	46-0083

ORDER INFORMATION

Example Price Code: 45-3 + Material + Impeller + Motor (-) + Length + Bearing

Example Price Code Number: 45-3011-21

Example Model Number: EFB3x2-1SC-D7.5-24-CG

PREFIX	MATERIAL		IMPELLER		MOTOR		LENGTH (in)		BEARING		
45-3	CPVC	0	1SC	1	D7.5	1	24	2	CERAMIC & RULON	CG	1
	EFB3x2		2SC	2	D10.0	2	36	3			
MODEL	PCN	3SC	3	D15.0	3	48	4	CERAMIC & GRAPHITE	CR	2	
		4SC	4	H7.5	4	MODEL	PCN				
		5SC	5	D7.5-50	5				MODEL	PCN	
		6SC	6	D10.0-50	6						
		MODEL	PCN	D15.0-50	8						
				H7.5-50	7						
				MODEL	PCN						

PARTS LIST	P-3180
OPS/SERVICE	O-3180