

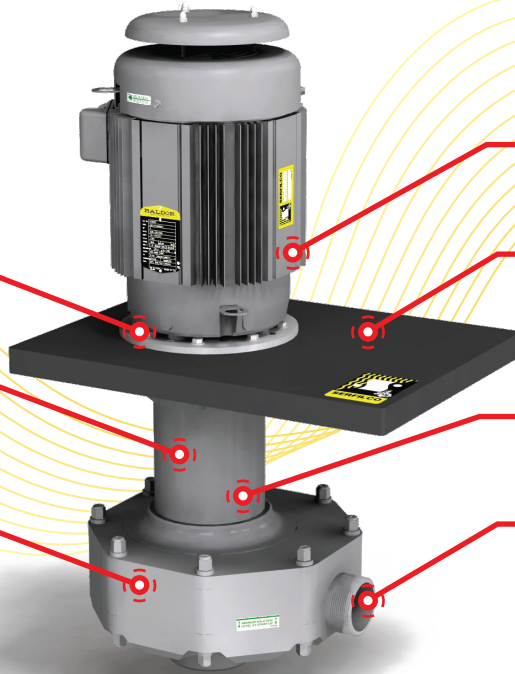
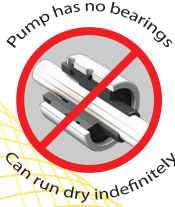


SERFILCO®

Chemical resistant pumps & filters engineered for industry

BULLETIN
P-309_M
01/13/2020
Page 1 of 2

SERIES 'EHM3' | VERTICAL PUMPS



Chemical Duty Motor (7.5 - 20 Hp.)
Sealed oversized bearings, cast iron end bells, corrosion resistant two-part coating, & stainless steel nameplate.

Includes PVC pump, mounting plate

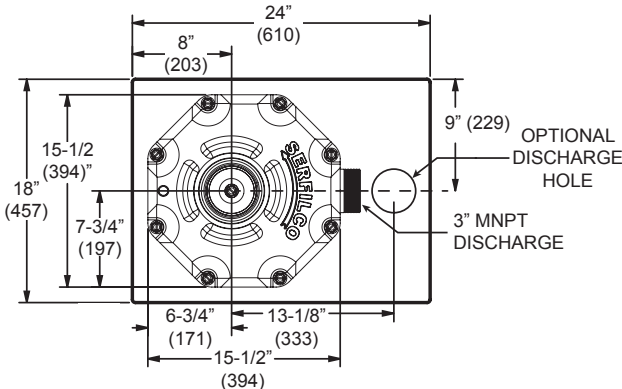
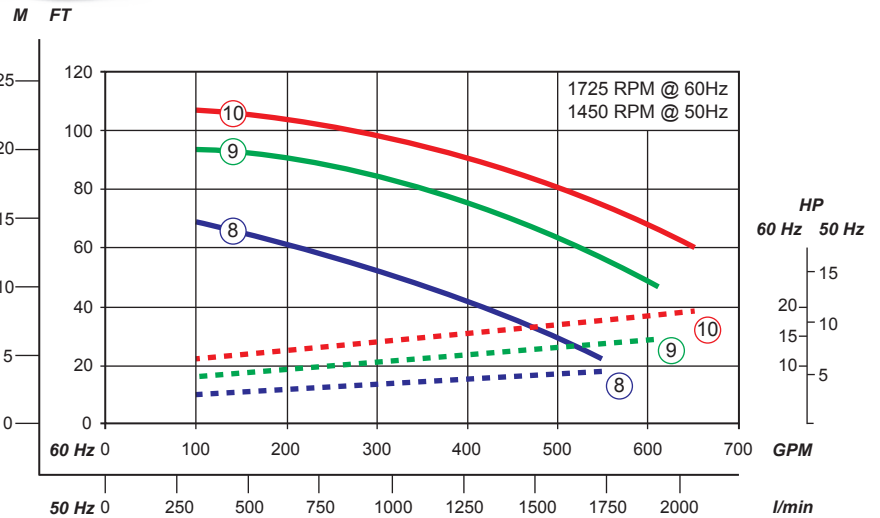
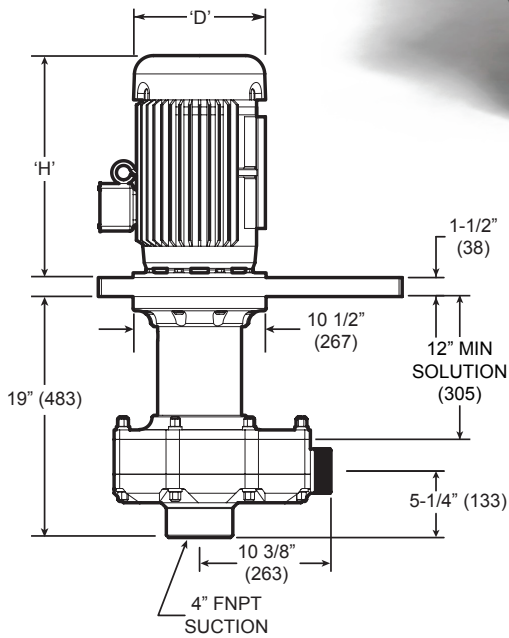
Can run dry indefinitely

Flows to 650 GPM or 115 ft THD @ 60 Hz
(2050 l/m or 24M @50Hz)

Heavy duty PTFE vapor seal
protects motor bearing and end bell

Standard column length at 19"

Excellent Chemical Resistance,
machined from solid CPVC



MOTOR (NEMA)					PUMP + MOTOR	
DIMENSIONS					SHIPPING WEIGHTS	
HP (KW)	DIAMETER (D)		HEIGHT (H)		LBS.	KG.
	INCHES	mm	INCHES	mm		
10	10 3/8	264	18 3/8	467	230	105
15	10 3/8	264	18 3/8	467	290	132
20	13	330	19 15/16	506	360	163
7.5 (5.5)	10 1/4	260	14 9/16	370	210	95
10 (7.5)			14 9/16	370	250	113
15 (11.0)			14 9/16	370	330	150



SERIES 'EHM3' | VERTICAL PUMPS

ORDER INFORMATION

For standard pump-motor combination, select model from table below.
Select flow curve number providing desired performance. Then match to Model # listed below.
Standard models include: EPDM elastomers (CPVC).

STANDARD 60Hz MODELS		
FLOW CURVE NO.	MODEL	PRICE CODE NO.
8	EHM 3-8SC-H10.0	45-1886
9	EHM 3-9SC-H15.0	45-1897
10	EHM 3-10SC-H20.0	45-1808
STANDARD 50Hz MODELS		
9	EHM 3-9SC-H10.0	45-1895-A
10	EHM 3-10SC-H15.0	45-1809

**For assistance with custom pump-motor combinations, including pumps for higher specific gravity, please consult Serfilco sales department. (800) 323-5431*

PUMP			IMPELLER			MOTOR 1			
MODEL	MATERIAL	PRICE CODE NO.	FLOW CURVE NO.	ADD TO...		FREQ / RPM	STD HP(kW)	ADD TO...	
				MODEL	PRICE CODE NO.			MODEL NO.	PRICE CODE NO. 1
EHM 3	CPVC - 19"	45-18	8	-8SC	8	60Hz 1725	10 (7.46)	-H 10.0	6
				-9SC	9		15 (11.19)	-H 15.0	7
				-10SC	0		25 (18.64)	-H 20.0	8
			9	-10SC	0	50Hz 1450	-H 7.5	4-A	
							-H 10.0	5-A	
							-H 15.0	9	

60Hz = 208-230/460/3/60
50Hz = 190-208/380/415/3/50

To order pump without motor, use 0 for motor Price Code No.

ADDITIONAL OPTIONS

DESCRIPTION	ADD SUFFIX TO MODEL	ADD TO, OR SEPARATE PRICE CODE NO.
Viton "O"-rings (installed)	-V	-V
Titanium shaft for extremely corrosive atmosphere (installed)	-T	-T
Through hole in mounting plate	-MPH	-H
Discharge pipe assembly	-DPA	45-1241
Suction strainer	-ST	45-1242
Suction extension, CPVC		
12"	K12	46-0089
24"	K24	46-0090
36"	K36	46-0091