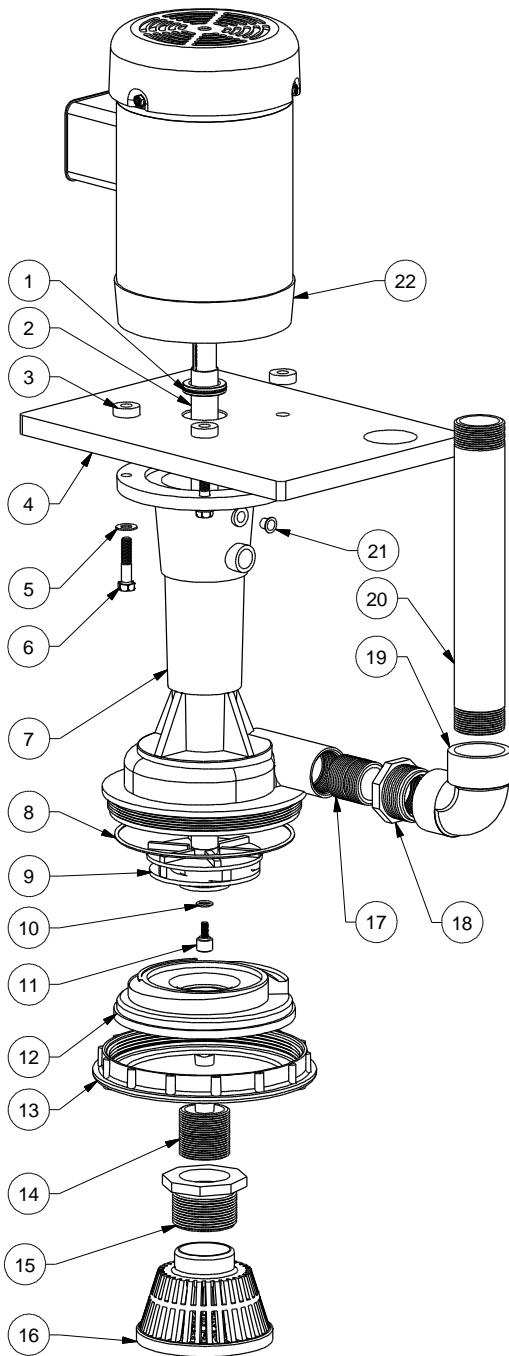


**SERFILCO®**

Parts List  
P-8990\_B  
06/24/14

# SERIES 'EO 1' PLASTIC SUMP PUMP

For SERIES 'EO 1 1/4' PLASTIC SUMP PUMP refer to P-8985



NO.	DESCRIPTION	QTY	CPVC	PP	PVDF
1	VAPOR SEAL 1/3hp 3/4hp 1 & 1 1/2hp	1		22-0901	
				22-0902	
				22-0848	
2	SHAFT 1/3hp SS TI 3/4hp SS TI 1 & 1 1/2hp SS TI	1		39-8002-SS	
				39-8002-T	
				39-8003-SS	
				39-8003-T	
				39-8004-SS	
3	SPACER CPVC SS	4		44-3194	
				44-3194-1	
4	MOUNTING PLATE 1/3 & 3/4hp 1/3 & 3/4hp w/ DP hole 1 & 1 1/2hp 1 & 1 1/2hp w/ DP hole	1	39-8000-P	39-8000-PP	39-8000-K
			39-8000-1P	39-8000-1PP	39-8000-1K
			39-8007-P	39-8007-PP	39-8007-K
			39-8007-1P	39-8007-1PP	39-8007-1K
5	WASHER 3/8" SS TI	4		11-0126	
				11-2067	
6	BOLT 3/8"-16x1 3/4" SS TI	4		11-0374	
				11-0374-T	
7	BODY	1	39-8130-C	39-8130-PPP	39-8130-K
8	O-RING FKM EPDM	1		22-0363-V	
				22-0363	
9	IMPELLER 1/3hp ø2 3/4" 3/4hp ø2 3/4" 1hp & 1 1/2hp ø2 3/4" 3/4hp ø3" 1hp & 1 1/2hp ø3"	1	39-8009-C	39-8009-PPP	39-8009-K
			39-8006-2C	39-8006-2PPP	39-8006-2K
			39-8107-2C	39-8107-2PPP	39-8107-2K
			39-8006-C	39-8006-PPP	39-8006-K
			39-8107-C	39-8107-PPP	39-8107-K
10	O-RING Impeller FKM EPDM	1		22-0870-V	
				22-0870	
11	IMPELLER Bolt ECTFE	1		39-8135-H	
12	SUCTION COVER	1	39-8103-C	39-8103-PPP	39-8103-K
13	SUCTION RETAINER	1	39-8104-C	39-8104-PPP	39-8104-K
14	CLOSE NIPPLE 1 1/4" Suction extension 18"long Coupling for Suc. ext 1 1/2"	1	33-1017	33-1017-PP	-
			33-2000	33-2000-PP	33-2288-K 33-0895-K
15	BUSHING 1 1/2"x1 1/4"	1	33-1137	33-1137-PP	33-1806-K
16	STRAINER 1 1/2" PE 1 1/2" ECTFE	1		99-0743-1	
				99-1029	
17	CLOSE NIPPLE 1"	1	33-1011	33-1011-PP	33-1011-K
18	BUSHING 1 1/4"x1"	1	33-0183	33-0183-PP	-
19	ELBOW 1 1/4" (1" PVDF)	1	33-0995	33-0995-PP	33-0994-K
20	NIPPLE 1 1/4"x12" (1" PVDF)	1	33-1053	33-1053-PP	33-1051-K
21	PLUG, ACCESS HOLE	2		33-8082	
22	MOTORS -TEFC	1		115-208/230	208-230/460
			Size	/1/50-60	/3/50-60
			1/3hp	66-1044	66-1045
			3/4hp	66-1047	66-1048
			1hp	66-1197	66-1022
1 1/2hp	66-1034	66-1021			

**Notes:**

- As of October 2005, natural polypropylene (PP) pumps are glass filled beige polypropylene (PPP)
- Natural white polypropylene (PP) and glass filled beige polypropylene (PPP) are not interchangeable parts, items 7, 12, 13.

Product Bulletin:	P-312
Operation and Service Guide:	O-0908