



SERIES 'EO' VERTICAL PUMPS

Pump has no bearings



Can run dry indefinitely



MODEL EO 3/4

Chemical Duty Motor (1/8 - 2 HP.)

Non-metallic solution contact

Polypropylene, CPVC,
or 100% PVDF, Viton®
or EPDM elastomers
(See chemical resistance guide T-102)

Centrifugal

Quiet & vibration free.

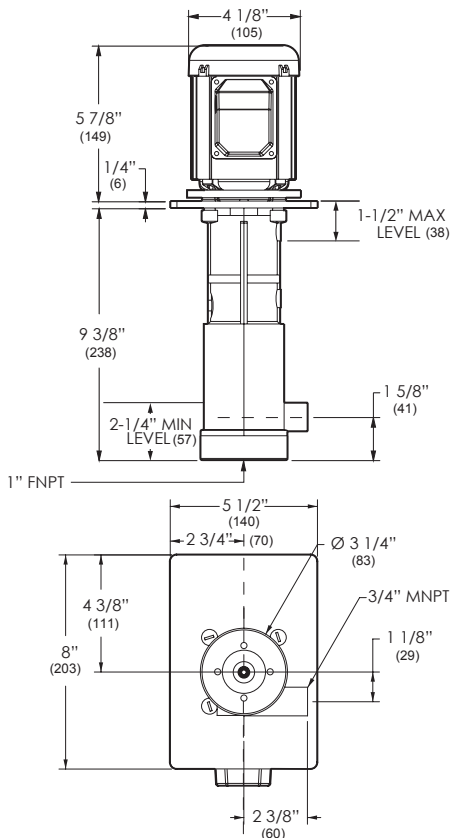
In or out-of-tank

Flows to 92 U.S. GPM
or 68 ft. TDH @ 60Hz



MODEL EO 1-1/4

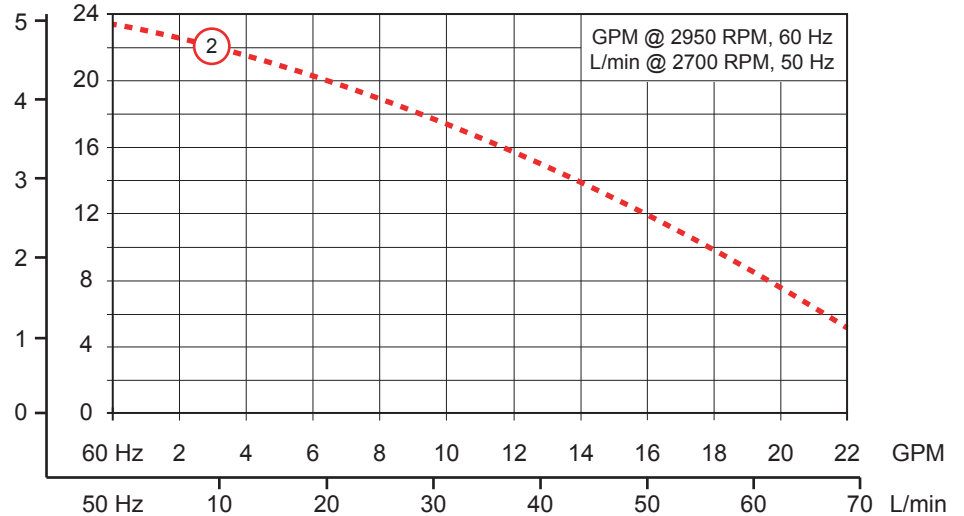
Shown w/ Optional Mounting Plate Hole
and Discharge Pipe Assy.



TDH

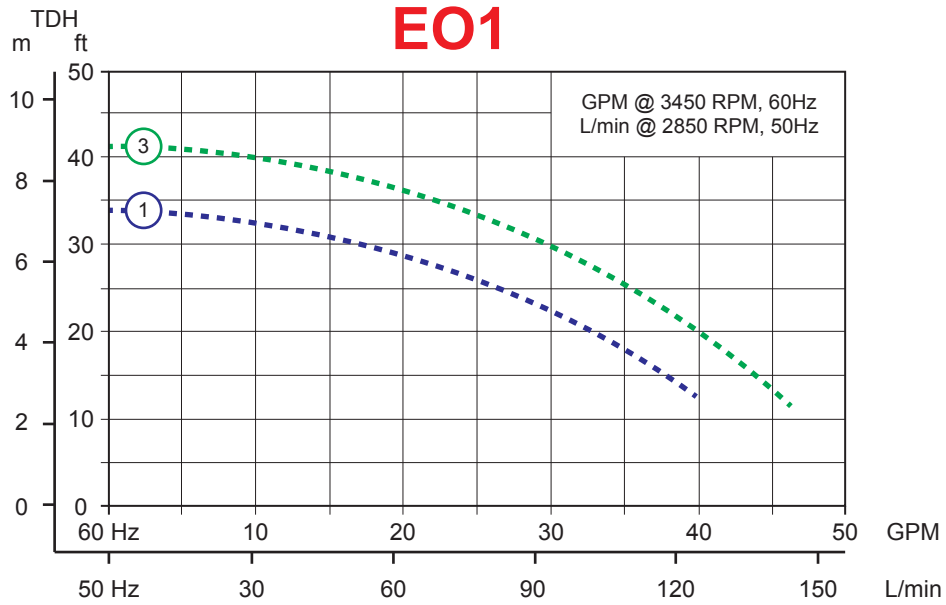
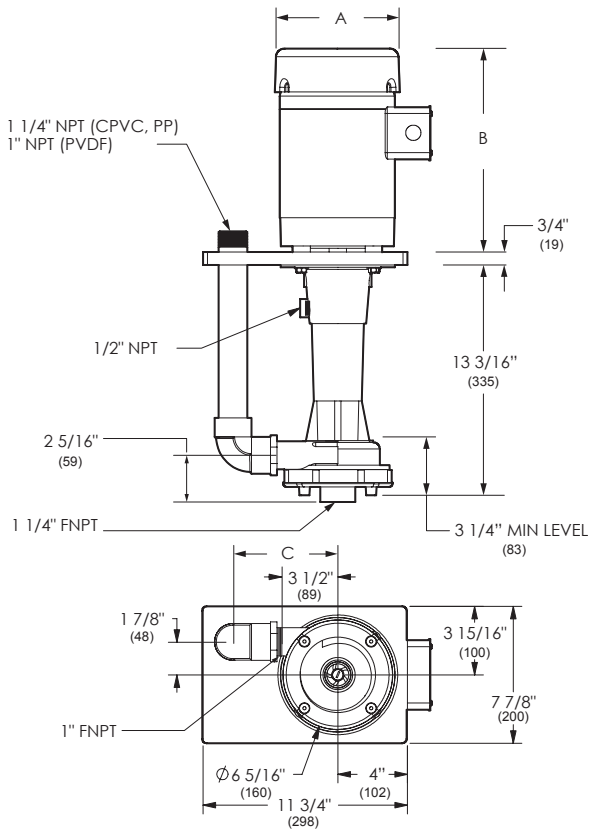
m ft

EO 3/4

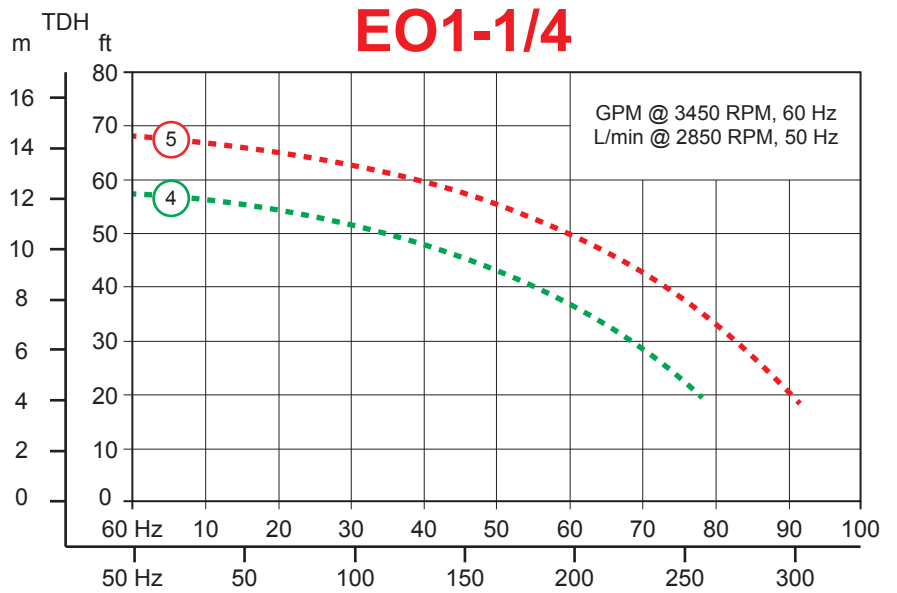
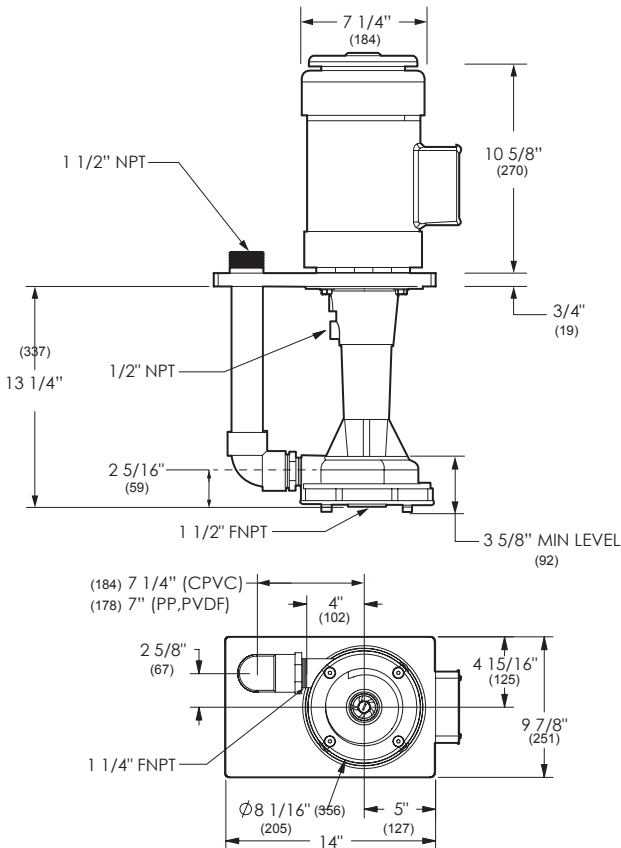




SERIES 'EO' VERTICAL PUMPS



PUMP MODEL	HP	A	B	MATERIAL	C
EO1	.33	5-7/8" (149)	8-1/2" (216)	CPVC	6" (152)
	.75	7-1/8" (181)	9-5/8" (244)	PP	6-3/8" (162)
				PVDF	5-3/8" (137)





SERIES 'EO' VERTICAL PUMPS

STANDARD MODELS

For standard CPVC, PP and PVDF pump-motor combinations, select model from Table I.
Model EO-3/4 with EPDM includes optional Viton O-Ring.
For other pump-motor combinations, consult SERFILCO's Sales Department: (800) 323-5431.
See Technical Bulletin T-P-312.

Select flow curve and material. Use Price Code No. to order.

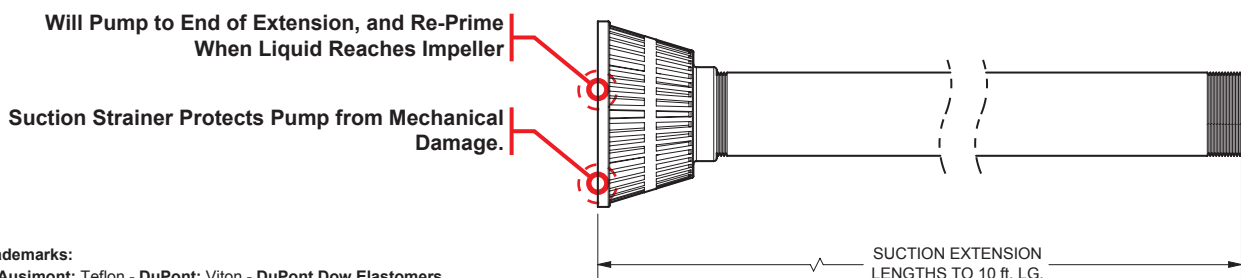
FLOW CURVE NO.	MAX. FLOW ¹	POLYPROPYLENE / EPDM		CPVC / EPDM		PVDF / VITON	
		MODEL	PRICE CODE NO	MODEL	PRICE CODE NO	MODEL	PRICE CODE NO
2	17	EO¾PPL2-C1/8	39-0112-B	EO¾CL2-C1/8	39-0212-B	EO¾KV2-C1/8	39-0322-B
1	40	EO1PPL1-C.3	39-1111-A	EO1CL1-C.3	39-1211-A	EO1KV1-C.3	39-1321-A
3	47	EO1PPL3-C.75	39-1113-C	EO1CL3-C.75	39-1213-C	EO1KV3-C.75	39-1323-C
4	78	EO1¼PPL4-D1.0	39-2114-J	EO1¼CL4-D1.0	39-2214-J	EO1¼KV4-D1.0	39-2324-J
5	92	EO1¼PPL5-D1.5	39-2115-K	EO1¼CL5-D1.5	39-2215-K	EO1¼KV5-D1.5	39-2325-K

¹ Maximum flow (U.S. GPM) @ 60 Hz with 1.0 specific gravity liquid at ambient temperature

OPTIONAL EQUIPMENT

DESCRIPTION	ADD SUFFIX TO MODEL	ADD TO PRICE CODE NO.
Through hole in standard mounting plate (N/A EO¾)	MPH	X
Titanium option - shaft and fasteners (N/A EO¾)	T	T
Drip cover - installed (N/A .12 & .33 HP)	DC	Z
PVDF impeller on CPVC pump	-K	KY

DESCRIPTION	EO¾		EO1		EO1¼	
	SIZE	PRICE CODE NO.	SIZE	PRICE CODE NO.	SIZE	PRICE CODE NO.
DISCHARGE PIPE ASSEMBLY						
Polypropylene	¾"	39-1006-PP	1¼"	39-1000-PP	1½"	39-2000-PP
CPVC	¾"	39-1006-C	1¼"	39-1000-C	1½"	39-2000-C
PVDF	¾"	39-1006-K	1"	39-1000-K	1½"	39-2000-K
18" SUCTION EXTENSION						
Polypropylene	1"	45-0274	1¼"	39-1004-PP	1½"	39-2004-PP
CPVC	1"	45-0208	1¼"	39-1004-C	1½"	39-2004-C
PVDF	1"	45-0230	1½"	39-1004-K	1½"	39-2004-K
SUCTION STRAINER						
Polyethylene / PP	—	39-1007-PP	—	39-1002-PP	—	39-2002-PP
Polyethylene / CPVC	—	39-1007-C	—	39-1002-C	—	39-2002-C
ECTFE / PVDF	—	39-1007-K	—	39-1003-K	—	39-2003-K



Registered Trademarks:
Halar - Ausimont; Teflon - DuPont; Viton - DuPont Dow Elastomers



Proudly Made in the USA, SERFILCO Offers the Widest Range of Chemical Pumps Anywhere.

'EH' Vertical Pump

- Can Run Dry
- Extended Column to 10'
- Flows to 185 gpm, 145 ft. TDH



'HE' Horizontal Pump

- Single or Double Mech. Seal
- Variety of Material Types
- Flows to 175 gpm, 140 ft. TDH



'ME' Magnetic Coupled Pump

- Seal-less Magnetic Coupled
- Polypropylene or PVDF
- Flows to 95 gpm, 54 ft. TDH



'EF' Vertical Pump

- Can Run Dry
- Suction Extension to 3'
- Flows to 400 gpm, 170 ft. TDH



'HF' Horizontal Pump

- Single or Double Mech. Seal
- Variety of Material Types
- Flows to 400 gpm, 160 ft. TDH



'FE' Magnetic Coupled Pump

- Seal-less Magnetic Coupled
- Polypropylene or PVDF
- Flows to 130 gpm, 97 ft. TDH



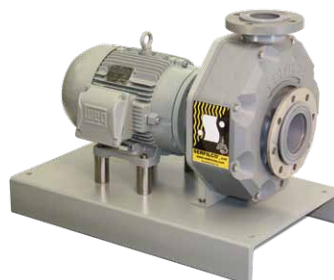
'EHM' Vertical Pump

- Can Run Dry
- Suction Extension to 3'
- Flows to 650 gpm, 115 ft. TDH



'HA' Horizontal Pump

- Single or Double Mech. Seal
- Machined from Solid CPVC
- Flows to 1200 gpm, 115 ft. TDH



'FES' Magnetic Coupled Pump

- Seal-less Magnetic Coupled
- Polypropylene or PVDF
- Flows to 250 gpm, 175 ft. TDH

