

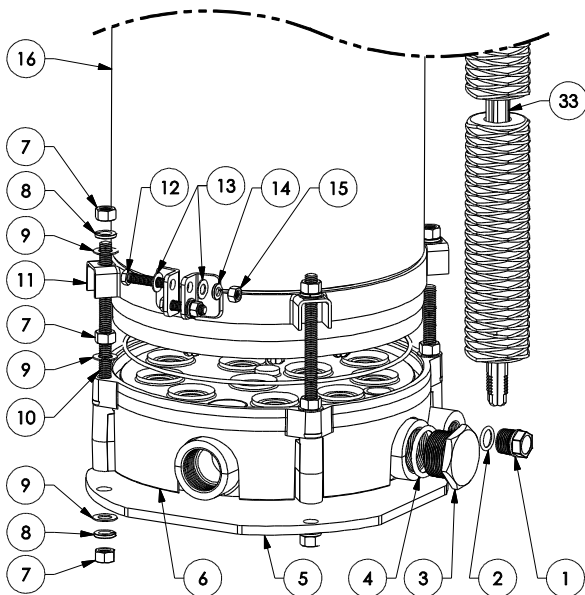
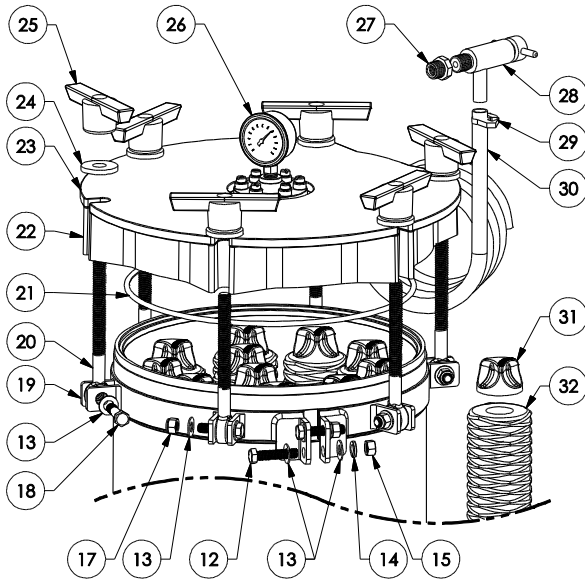
© 2014 Serfilco Ltd. All Right Reserved.

SERFILCO® SERIES 'G' CARTRIDGE | Filter Chamber

2900 MacArthur Blvd. Northbrook, IL. USA 60062 WWW.SERFILCO.COM (800) 323-5431

PARTS LIST
P-5460_D
05/21/15
Page 1 of 1

CPVC MODEL	PRICE NO.	PVC MODEL	PRICE NO.	PP MODEL	PRICE NO.
CL120SIO-1-1/2-G3A	78-1901-C	PL120SIO-1-1/2-G3A	78-1901-P	PPL120SIO-1-1/2-G3A	78-1901-PP
CL240SIO-1-1/2-G3A	78-1902-C	PL240SIO-1-1/2-G3A	78-1902-P	PPL240SIO-1-1/2-G3A	78-1902-PP
CL360SIO-1-1/2-G3A	78-1903-C	PL360SIO-1-1/2-G3A	78-1903-P	PPL360SIO-1-1/2-G3A	78-1903-PP
CL480SIO-1-1/2-G3A	78-1904-C	PL480SIO-1-1/2-G3A	78-1904-P	PPL480SIO-1-1/2-G3A	78-1904-PP
CL600SIO-1-1/2-G3A	78-1905-C	PL600SIO-1-1/2-G3A	78-1905-P	PPL600SIO-1-1/2-G3A	78-1905-PP



NO	DESCRIPTION	QTY	PL (PVC)	CL (CPVC)	PPL (PP)
1	Plug 3/4NPT	1		33-0211	33-0211-PP
2	O-ring EPDM	1		22-0570	
	FKM			22-0563	
3	Plug 1 1/2NPT	2	33-0868		33-0868-PP
4	O-ring EPDM	2		22-2327	
	FKM			22-2327-V	
5	Bottom Plate	1		77-0811-SS	
6	Base 1 1/2NPT	1	88-1630-C		88-1630-PP
	1 1/2BSP		88-1631-C		88-1631-PP
7	Nut 1/2-13	12		11-0106	
8	Lock washer 1/2"	8		11-0343	
9	Flat Washer 1/2"	12		11-0711	
10	Tie Rod 1/2-13	4		77-1210	
11	Base Bracket	1		77-0795-1	
12	Bolt 3/8-16	4		11-0374	
13	Flat Washer 3/8"	20		11-0126	
14	Lock Washer 3/8"	4		11-0140	
15	Nut 3/8-16	4		11-0105	
16	Shell	1	77-0050-1P	77-0050-1C	77-0050-1PP
	20"		77-0050-2P	77-0050-2C	77-0050-2PP
	30"		77-0050-3P	77-0050-3C	77-0050-3PP
	40"		77-0050-4P	77-0050-4C	77-0050-4PP
	50"		77-0050-5P	77-0050-5C	77-0050-5PP
17	Lock Nut 3/8-16	6		11-0519	
18	Bolt 3/8-16	6		11-0444-1	
19	Cover Bracket	1		77-0788	
20	Swing Bolt 1/2-13	6		11-0474-1	
21	O-ring EPDM	2	22-0876		22-0930
	FKM		22-0877		22-0930-V
22	Chamber Cover	1	88-1620-C		88-1620-PP
23	Support Plate	1		99-0303-SS	
24	Flat Washer 1/2"	6		11-0619	
25	Tee Handle 1/2-13	6		11-0266	
26	Gauge Guard Assembly	1		99-0732	
27	Bushing 3/8NPTx1/4NPT	1	n/a		33-1268-PP
28	Vent Valve	1	33-0051		33-8108-PP
29	Hose Clamp	1	22-0911		22-0912
30	Vent Hose 8ft	1	22-0444		22-0913
31	Cartridge Cap	12	77-1590		77-1590-PP
32			Filter Media see Bulletin M-109		
33	Cartridge Post	12		88-1601-PP	
	10"			88-1602-PP	
	20"			88-1603-PP	
	30"			88-1604-PP	
	40"			88-1605-PP	
	50"				

Product Bulletin:	C-107
Operation and Service Guide:	O-0887