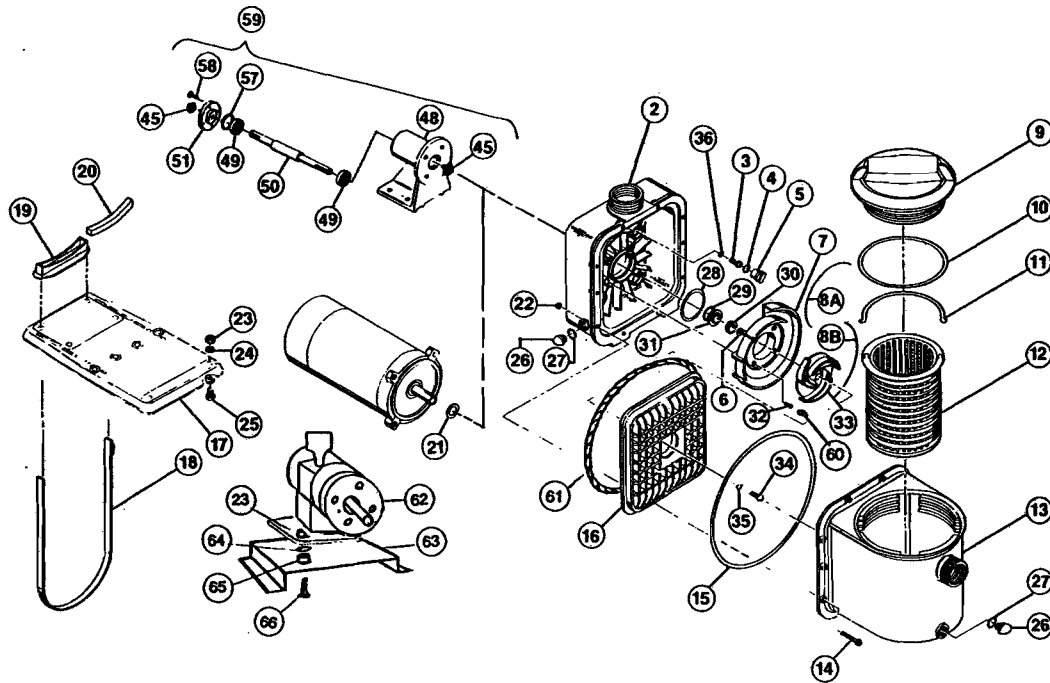




SELF-PRIMING CENTRIFUGAL PUMP SERIES 'G'

PARTS LIST
P-9980G
SEPT. 1994



The chemical process industry (CPI) type seal has Viton® elastomers and a special high grade carbon face for better service in chemical applications.

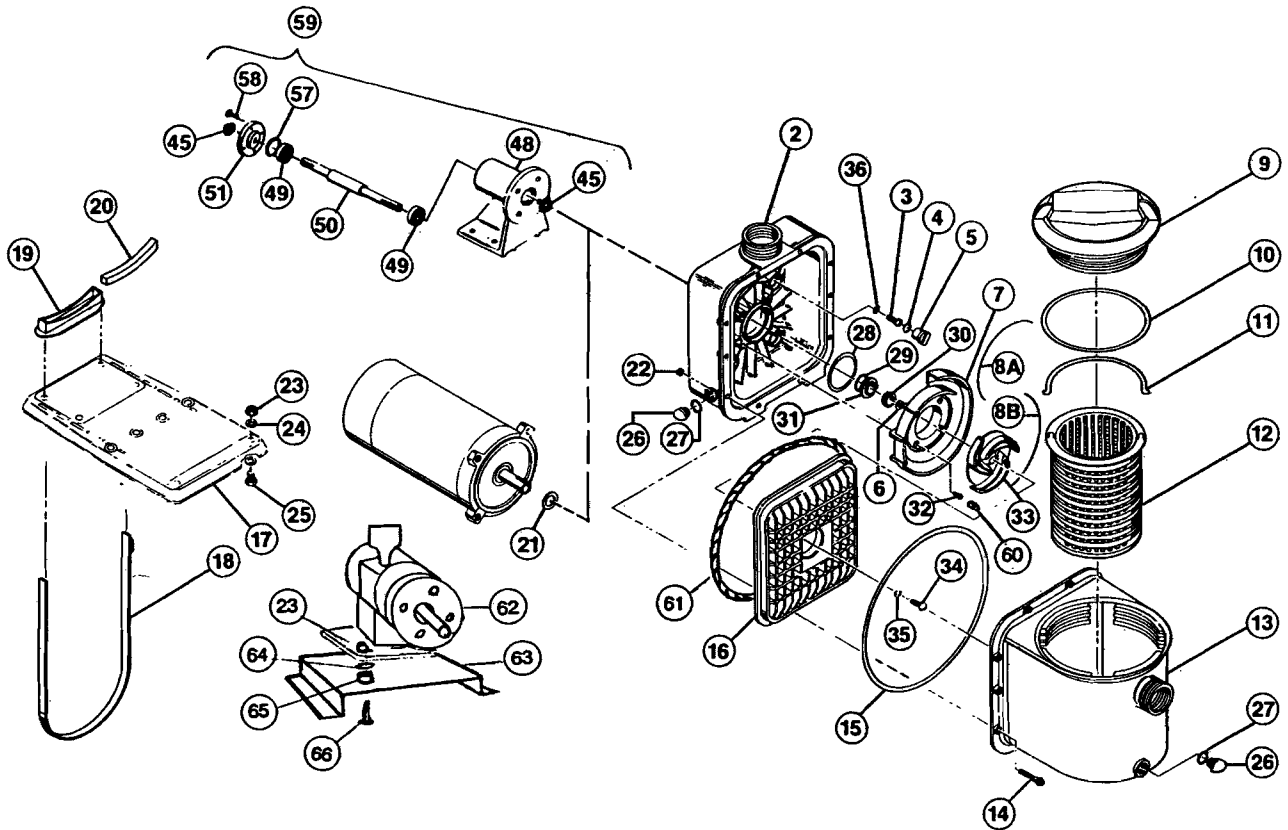
ITEM	DESCRIPTION	PART NUMBER			QTY./PUMP	GROUP*
2	BODY, pump, Noryl® Ryton®,	(NPT) 64-1801 20 (NPT) 64-1801 60	(BSP) 64-1821 20 (BSP) 64-1821 60	1 1		
3	SCREW, body to motor, or Pedestal 3/8"-16 x 7/8"	Stainless steel 64-1838 10	Hastelloy C® 64-1838 91	4		
4	*O*-RING, screw plug	Buna N 64-1245 71	EPDM 64-1245 72	4		
5	PLUG, screw protector	Noryl® 64-1833 20	ECTFE 64-1833 90	4		
6	SHIM, impeller .006" .015" .030"		64-1841 11 64-1841 12 64-1841 13	As required As required As required		
7	VOLUTE, for 617 impeller for 618 impeller for 619 impeller for 620 impeller for 621 impeller	Noryl 64-2104 20 64-2109 20 64-1804 20 64-1802 20 64-2110 20	Ryton® 64-2104 60 64-2109 60 64-1804 60 64-1802 60 64-2110 60	1 1 1 1 1	A B C D E	
8A	*O*-RING, left segment	Buna N 64-1812 71	EPDM 64-1812 72	1	A, B, C, D, E	
8B	*O*-RING, right segment	64-1813 71 64-1814 71	64-1813 72 64-1814 72	1 1	A, B, C D, E	
9	COVER, strainer	Noryl 64-1818 20	Ryton 64-1818 60	1		
10	*O*-RING, strainer cover	Buna N 64-1820 71	EPDM 64-1820 72	1		
11	HANDLE, basket strainer, stainless steel TFE coated stainless steel		64-1819 10 64-1819 90	1 1		
12	BASKET STRAINER, polypropylene ECTFE		64-1809 40 64-1809 90	1 1		
13	HOUSING, basket strainer, Noryl Ryton	(NPT) 64-1816 20 (NPT) 64-1816 60	(BSP) 64-1817 20 (BSP) 64-1817 60	1 1		
14	SCREW, strainer housing, 1/4"-20 x 1-5/8", SS		64-1039 10	10		
15	*O*-RING, volute plate	Buna N 64-1858 71	EPDM 64-1858 72	1		
16	VOLUTE PLATE, Noryl, flat Noryl, rubber lined Buna-N Noryl, rubber lined EPDM ECTFE, flat		64-1831 20 64-1803 21 64-1803 22 64-1831 90	1 1 1 1		

* GROUP: See note on page 3.

ITEM	DESCRIPTION	PART NUMBER			QTY./PUMP	GROUP*
17	BASEPLATE, polypropylene	64-1846 40			1	
18	STRAP, motor retaining, stainless steel	64-0934 10			1	
19	SADDLE, for 5-1/2" diameter electric motor for 6-5/8" diameter electric motor	64-1825 90			1	
		64-1828 90			1	
20	PAD, for above motor saddles	64-1847 71			1	
21	SLINGER, Buna-N	64-1834 71			1	
22	NUT, hex, body, 1/4"-20, stainless steel	64-0721 10			10	
23	NUT, kep, 5/16"-18, plated steel	64-0745			2	
24	WASHER, flat 5/16", plated steel	64-0730			4	
25	SCREW, 5/16"-18 x 1", plated steel	64-0729			2	
26	PLUG, drain, Noryl Ryton	64-0723 20			2	
		64-0723 60			2	
27	"O"-RING, drain plug	Buna N	EPDM	Viton	2	
		64-1009 71	64-1009 72	64-1009 73		
		64-1822 71	64-1822 72	64-1822 73		
28	"O"-RING, volute	64-1822 71	64-1822 72	64-1822 73	1	
29	"O"-RING, seal	64-0976 71	64-0976 72	64-0976 73	1	
30 & 31	SEAL, shaft, 316 stn. steel / carbon-ceramic Hastelloy C / silicon carbide	64-0714 11	64-0714 12	64-0714 14	1	
	SEAL, non-metallic, ECTFE/siliconized graphite			64-0714 15	1	
	SEAL, 316 stn. steel / siliconized graphite	EPDM 64-0714 92SG		Viton 64-0714 94SG	1	
	SEAL, 316 stn. steel / siliconized graphite	64-46250 11	64-46250 12	64-46250 13	1	
32	SCREW, volute, #10-24 x 3/4"	Stainless steel	Hastelloy C	Titanium	4	
		64-1835 10	64-1348 91	64-1348 93		
33	IMPELLER, (# on part), keyed shaft	Noryl		Ryton		A B C D E
		64-0617 20		64-0617 60		
		64-0618 20		64-0618 60		
		64-0619 20		64-0619 60		
		64-0620 20		64-0620 60		
		64-0621 20		64-0621 60		
34	SCREW, impeller, 1/4-28 x 5/8"	Stainless steel	Hastelloy C	Titanium	1	
	Non-metallic	64-1888 10	64-1888 91	64-1888 93	1	
35	"O"-RING, impeller screw	Ryton encapsulated 64-1888 61			1	
		Buna N	EPDM	Viton	1	
36	"O"-RING, body screw	64-1845 71	64-1845 72	64-1845 73	4	
45	SEAL LIP, .710" I.D., Buna N Viton	64-1824 71			4	
		64-1955 71			2	
48	PEDESTAL, cast iron	64-1955 73			2	
		64-1951 90			1	
49	BEARING, ball, .787" I.D.	64-1954 90			2	
50	SHAFT, 5/8" x 3/4", keyed	Stainless steel	Hastelloy C	Titanium	1	
		64-1957 10	64-1957 91	64-1957 93		
51	PLATE, end, stainless steel	64-1953 10			1	
57	SHIM, stainless steel	64-1956 10			as required	
58	SCREW, hex, 1/4"-20 x 3/4", stainless steel	64-2525 10			4	
59	PEDESTAL, assembly (Includes items 45, 48, 49, 50, 51, 57 & 58)	64-1950 02			1	
	SAME with Hastelloy shaft	64-1950 02H			1	
	SAME with titanium shaft	64-1950 02T			1	
60	SCREW PROTECTOR PLUG, TFE, volute screw (used only on Non-Metallic pumps)					
	Less "O"-ring	64-2108 90			4	
	With EPDM "O"-ring	64-2108 90L			4	
	With Viton "O"-ring	64-2108 90V			4	
61	GORE-TEX GASKET, TFE, volute plate 31" long (Used only in Ryton pumps)	64-1283 90			1	
62	AIR MOTOR	64-0926 01			1	
63	BASEPLATE for air motor, steel	64-0929			1	
64	SHIM, 0.62", plated steel	64-0794			8	
65	SPACER, 5/8", Nylon	64-0779 90			4	
66	SCREW, 5/16-18 x 1 1/2", plated steel	64-2167			4	

* GROUP: See note on page 3.

Registered trademarks: Noryl - General Electric; Ryton - Phillips
Chemical;
Viton - DuPont; Hastelloy - Haynes, International



*GROUP Items 7, 8A, 8B & 33 are listed with a letter in the "GROUP" column. The parts listed under each item number are very similar, but differ in detail. Only certain combinations of these parts are suitable for proper operation of the pump. Thus, it is important that only parts with GROUP "A" be used in a pump, only parts with GROUP "B" be used in pump, etc. Do not mix GROUPS. A simplified chart follows. START WITH THE IMPELLER AND THEN MATCH THE OTHER PARTS TO IT.

GROUP	IMPELLER	VOLUTE	"O"-RING SEGMENTS (1 ea. per pump)
A	64-0617 20	64-2104 20	64-1812 and 64-1813
B	64-0618 20	64-2109 20	64-1812 and 64-1813
C	64-0619 20	64-1804 20	64-1812 and 64-1813
D	64-0620 20	64-1802 20	64-1812 and 64-1814
E	64-0621 20	64-2110 20	64-1812 and 64-1814

NOTE: All specifications, as shown are subject to change without previous notice.

