



SERIES 'HB' ALL PLASTIC SUMP PUMP

PARTS LIST
P-8951
JUNE 2003

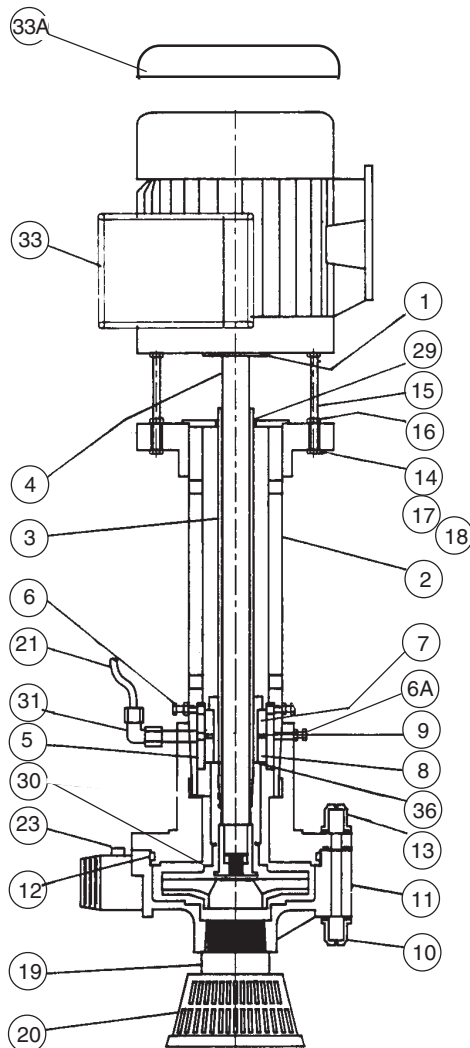
**1725 & 3450 RPM
BUILT 5/2003 & AFTER**

For pumps built before 5/2003 refer to Parts List P-8950. (Items #2 and 11 have been changed from previous manufacture.)

Refer to Bulletin P-302, Operation and Service Guide O-891 and Master Price List F-800.

Refer to Pump Serial No. or to your invoice for date of manufacture.

SINGLE BEARING PUMPS



* Recommended Spare Parts

NOTE: Items 5 & 6 included in Item 2.

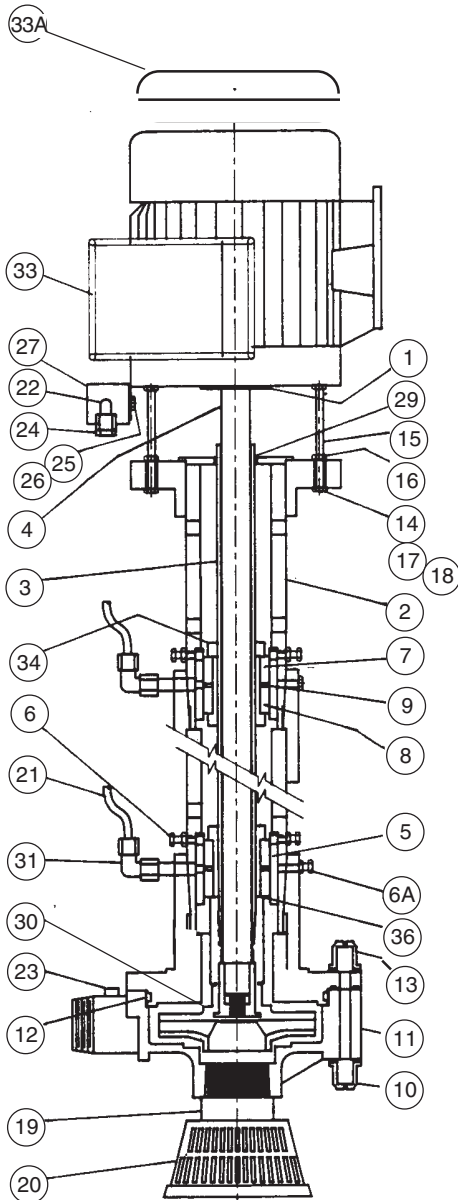
ITEM	DESCRIPTION	PART NUMBERS		
		LENGTH OF PUMP		
		2 FT.	3 FT.	4 FT. 1725 RPM
1	Slinger washer - Neoprene	55-0140		
2	Column - complete (standard) w/vapor seal mounting plate w/Hi temp pump end & vapor seal mtg. plate NOTE: Items 5 & 6 included in item 2.	43-0042 2 43-0043 2	43-0042 3 43-0043 3	43-0042 4A 43-0043 4A
3	Drive shaft sleeve, - CPVC (standard)	43-0030 2	43-0030 3	43-0030 4A
4	Drive shaft	43-0004 2	43-0004 3	43-0004 4
5	Casing liner, ceramic	44-1979		
6	Hex bolt, 1/4"-20 x 3/4" - titanium, standard (2 req'd) 1/4"-20 x 1" - Hastelloy C (3 req'd) Lock nut, 1/4" - titanium, standard (3 req'd) - Hastelloy C	33-0044 11-0459 11-0334 11-0458		
6A	Hex bolt, 1/4"-20 x 1" - titanium (std) (1 req'd)	11-0335		
7*	Ring, helix groove RH (1 req'd) - carbon graphite - Rulon (glass filled TFE)	44-1974 44-1976		
8*	Ring, helix groove LH (1 req'd) - carbon graphite - Rulon (glass filled TFE)	44-1973 44-1975		
9	Bearing spacer - CPVC	44-1977		
10	Cap nut - CPVC (6 req'd) 'O'-ring - EPDM, standard (18 req'd) - Viton	44-2682 22-0569 22-0568		
11	Suction casing -CPVC NPT BSP	43-0040 43-0040 1		
12	Suction casing 'O'-ring -EPDM -Viton	22-0545 22-0544		
13	Cap nut stud, - CPVC and stn. stl. (6 req'd) - for Hi temp pump end only	44-3197 44-1978		
14	Hex nut, 3/8"-16 - stainless steel (8 req'd)	11-0105		
15	Stud 3/8"-16x 5 1/2" long - stainless steel (4 req'd)	11-0160		
16	Lock nut, 3/8"-16 - nylon insert (4 req'd)	11-0519		
17	Flat washer, 3/8" size - stainless steel (8 req'd)	11-0126		
18	Lock washer, 3/8" size - stainless steel (4 req'd)	11-0140		
19	Nipple 2" NPT x close - CPVC	33-1029		
20	Suction strainer - polyethylene	99-0744 1		
21	Tubing 1/4" O.D. - polypropylene (per foot)	44-1612		
23	Plug 1/4" NPT - CPVC	33-0856		
24	Hose connector, straight - polypropylene (not shown)	33-1074		
28	Mounting plate, 3/4" thick - PVC (optional, not shown) 20" square 20" round	43-0014 43-0015		
29	Vapor seal - TFE New style (w/'O'-ring) Old style	22-0848 55-0567		
30	Impeller assembly - CPVC 3 1/2" diameter	43-0735 1 43-0734 1 43-0733 1 43-0732 1 43-0731 1		
31	Hose conn. elbow, 1/4" NPT - polypropylene	44-1605		
33	Motor - TEFC, 230/460V/3/50-60 - 3450 RPM 1 1/2 HP 66-1021 2 HP 66-1020 3 HP 66-1019 5 HP 66-1018 7 1/2 HP 66-1017 - TEFC 230/460V/3/50-60 - 1725 RPM 3/4 HP 66-1030 1 HP 66-1031 1 1/2 HP 66-1032 - TEFC 115/230V/1/60 -1725 RPM 1 HP 66-1043	3450 or 1725 select as required	- - - - - 1725 only select as required	
33A	Motor drip cover ass'y. (optional) - Motors with steel fan covers (1 & 1 1/2 HP) (2, 3, 5, 7 1/2 HP) - Motors with plastic fan covers (2 HP) (3, 5, 7 1/2 HP)	66-1120 66-1018 1 66-7005 66-7006		
36	'O'-ring - EPDM (standard) - Viton	22-0605 22-0604		

For pumps built before 5/2003 use Parts List P-8950. (Items #2 and 11 have been changed from previous manufacture.)

Refer to Bulletin P-302, Operation and Service Guide O-891 and Master Price List F-800.

Refer to Pump Serial No. or to your invoice for date of manufacture.

DOUBLE BEARING PUMPS



* Recommended Spare Parts
NOTE: Items 5 & 6 included in Item 2.
Item 34 included in Item 3.

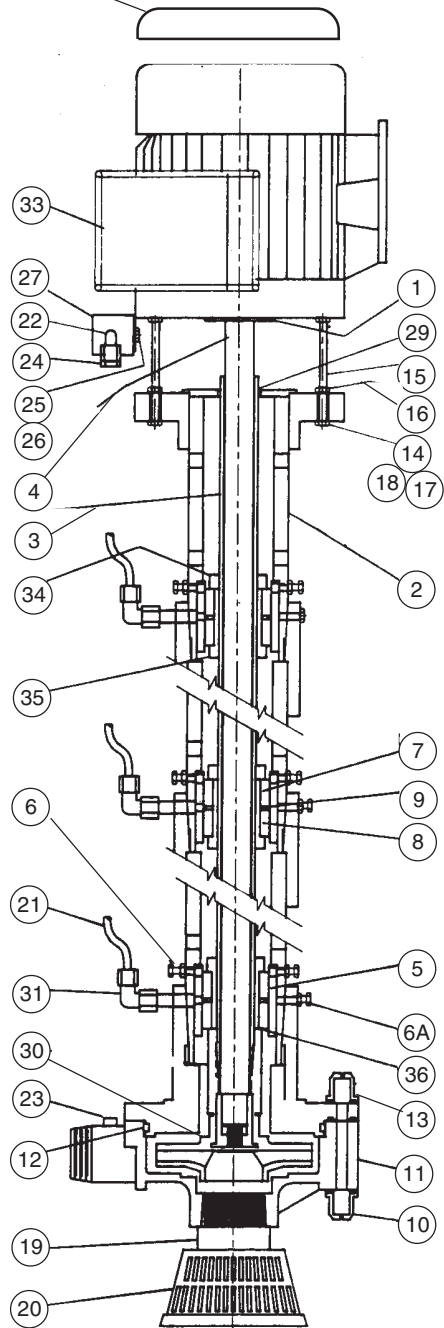
ITEM	DESCRIPTION	PART NUMBERS				
		LENGTH OF PUMP				
		4 FT. 3450 RPM	5 FT.	6 FT.	7 FT. 1725 RPM	
1	Slinger washer - Neoprene	55-0140				
2	Column - complete (standard) w/vapor seal mounting plate w/Hi temp pump end & vapor seal mtg. plate NOTE: Items 5 & 6 included in item 2.	43-00424	43-00425	43-00426	43-00427	
		43-00434	43-00435	43-00436	43-00437	
3	Drive shaft sleeve, - CPVC (standard) NOTE: Item 34 included in item 3.	43-00304	43-00305	43-00306	43-00307	
4	Drive shaft	43-00044	43-00045	43-00046	43-00047	
5	Casing liner, ceramic (2 req'd)	44-1979				
6	Hex bolt, 1/4"-20 x 3/4" - titanium, standard (4 req'd) 1/4"-20 x 1" - Hastelloy C (6 req'd) Lock nut, 1/4" - titanium, standard (6 req'd) - Hastelloy C	33-0044				
		11-0459				
		11-0334				
		11-0458				
6A	Hex bolt, 1/4"-20 x 1" - titanium (std) (2 req'd)	11-0335				
7*	Ring, helix groove RH (2 req'd) - carbon graphite - Rulon (glass filled TFE)	44-1974				
		44-1976				
8*	Ring, helix groove LH (2 req'd) - carbon graphite - Rulon (glass filled TFE)	44-1973				
		44-1975				
9	Bearing spacer - CPVC (2 req'd)	44-1977				
10	Cap nut - CPVC (6 req'd) 'O'-ring - EPDM, standard (18 req'd) - Viton	44-2682				
		22-0569				
		22-0568				
11	Suction casing - CPVC NPT BSP	43-0040				
		43-00401				
12	Suction casing 'O'-ring - EPDM (standard) -Viton	22-0545				
		22-0544				
13	Cap nut stud, - CPVC & stn. stl. (6 req'd) for Hi temp pump end only	44-3197				
		44-1978				
14	Hex nut, 3/8"-16 - stainless steel (8 req'd)	11-0105				
15	Stud 3/8"-16 x 5 1/2" - stainless steel (4 req'd)	11-0160				
16	Lock nut, 3/8"-16 - nylon insert (4 req'd)	11-0519				
17	Flat washer, 3/8" size - stainless steel (8 req'd)	11-0126				
18	Lock washer, 3/8" size - stainless steel (4 req'd)	11-0140				
19	Nipple 2" NPT x close - CPVC	33-1029				
20	Suction strainer - polyethylene	99-0744 1				
21	Tubing 1/4" O.D. - polypropylene, per foot	44-1612				
22	Hose connector, elbow - polypropylene	44-1605				
23	Plug 1/4" NPT - CPVC	33-0856				
24	Hose connector, straight - polypropylene (2 req'd)	33-1074				
25	Hex bolt, 3/8"-16 x 3/4" long - stainless steel	11-0371				
26	Bracket - steel	43-0019				
27	Manifold - CPVC for use w/optional mounting plate	43-0018				
		43-0017				
28	Mounting plate, 3/4" thick - PVC (opt. - not shown) 20" square 20" round	43-0014				
		43-0015				
29	Vapor seal - TFE New style (w/'O'-ring) Old style	22-0848				
		55-0567				
30	Impeller assembly - CPVC 3 1/2" diameter	43-0735 1				
		43-0734 1				
		43-0733 1				
		43-0732 1				
		43-0731 1				
31	Hose conn. elbow, 1/4" - polypropylene (2 req'd)	44-1605				
33	Motor - TEFC, 230/460V/3/50-60 - 3450 RPM 1 1/2 HP 66-1021 2 HP 66-1020 3 HP 66-1019 5 HP 66-1018 7 1/2 HP 66-1017 - TEFC 230/460V/3/50-60 - 1725 RPM 3/4 HP 66-1030 1 HP 66-1031 1 1/2 HP 66-1032 - TEFC 115/230V/1/60 - 1725 RPM 1 HP 66-1043	3450 only select as required	3450 or 1725		1725 only select asrequired	
			select			
			as			
			required			
		33A	Motor drip cover ass'y. (optional) - Motors with steel fan covers (1 & 1 1/2) (2, 3, 5, 7 1/2 HP) - Motors with plastic fan covers (2 HP) (3, 5, 7 1/2 HP)	66-1120		
				66-1018 1		
				66-7005		
				66-7006		
34	Set collar - CPVC Set screw 1/4"-20 x 1/4" long - titanium, std (4 req'd) - Hastelloy C	44-1621				
		11-0476				
		11-0681				
36	'O'-ring - EPDM (standard) - Viton	22-0605				
		22-0604				

For pumps built before 5/2003 use Parts List P-8950. (Items #2 and 11 have been changed from previous manufacture.)

Refer to Bulletin P-302, Operation and Service Guide O-891 and Master Price List F-800.

Refer to Pump Serial No. or to your invoice for date of manufacture.

33A TRIPLE BEARING PUMPS



* Recommended Spare Parts
NOTE: Items 5 & 6 included in Item 2.
Items 34 & 35 included in Item 3.

ITEM	DESCRIPTION	PART NUMBERS				
		LENGTH OF PUMP				
		8 FT.	9 FT.	10 FT.	11 FT.	12 FT.
1	Slinger washer - Neoprene	55-0140				
2	Column - complete (standard) w/vapor seal mounting plate w/Hi temp pump end & vapor seal mtg. plate NOTE: Items 5 & 6 included in item 2.	43-0042 8 43-0043 8	43-0042 9 43-0043 9	43-0042 10 43-0043 10	43-0042 11 43-0043 11	43-0042 12 43-0043 12
3	Drive shaft sleeve, - CPVC (standard) NOTE: Items 34 & 35 included in item 3.	43-0030 8	43-0030 9	43-0030 10	43-0030 11	43-0030 12
4	Drive shaft	43-0004 8	43-0004 9	43-0004 10	43-0004 11	43-0004 12
5	Casing liner, ceramic (3 req'd)	44-1979				
6	Hex bolt, 1/4"-20 x 3/4" - titanium, std. (6 req'd) 1/4"-20 x 1" - Hastelloy C (9 req'd) Lock nut, 1/4" - titanium, std. (9 req'd) - Hastelloy C	33-0044 11-0459 11-0334 11-0458				
6A	Hex bolt, 1/4"-20 x 1" - titanium (std) (3 req'd)	11-0335				
7*	Ring, helix groove RH (3 req'd) - carbon graphite - Rulon (glass filled TFE)	44-1974 44-1976				
8*	Ring, helix groove LH (3 req'd) - carbon graphite - Rulon (glass filled TFE)	44-1973 44-1975				
9	Bearing spacer - CPVC (3 req'd)	44-1977				
10	Cap nut - CPVC (6 req'd) 'O'-ring - EPDM, standard (18 req'd) - Viton	44-2682 22-0569 22-0568				
11	Suction casing -CPVC NPT BSP	43-0040 43-0040 1				
12	Suction casing 'O'-ring -EPDM, standard -Viton	22-0545 22-0544				
13	Cap nut stud, - CPVC & stn. steel (6 req'd) for Hi temp pump end only	44-3197 44-1978				
14	Hex nut, 3/8"-16 - stn. steel (8 req'd)	11-0105				
15	Stud 3/8"-16 x 5 1/2" long - stn. steel (4 req'd)	11-0160				
16	Lock nut, 3/8"-16 - nylon insert (4 req'd)	11-0519				
17	Flat washer, 3/8" size - stainless steel (8 req'd)	11-0126				
18	Lock washer, 3/8" size - stainless steel (4 req'd)	11-0140				
19	Nipple 2" NPT x close - CPVC	33-1029				
20	Suction strainer - polyethylene	99-0744 1				
21	Tubing 1/4" O.D. - polypropylene, per foot	44-1612				
22	Hose connector, elbow - polypropylene (2 req'd)	44-1605				
23	Plug 1/4" NPT - CPVC	33-0856				
24	Hose connector, straight - polypropylene (2 req'd)	33-1074				
25	Hex bolt, 3/8"-16 x 3/4" long - stainless steel	11-0371				
26	Bracket - steel	43-0019				
27	Manifold - CPVC For use w/optional mounting plate	43-0018 43-0018 1				
28	Mounting plate, 3/4" thick - PVC (optional, not shown) 20" square 20" round	43-0014 43-0015				
29	Vapor seal -TFE New style (w/"O"-ring) Old style	22-0848 55-0567				
30	Impeller assembly - CPVC 3 1/2" diameter 3-7/8" " 4-3/8" " 5" " 5 1/2" "	43-0735 1 43-0734 1 43-0733 1 43-0732 1 43-0731 1				
31	Hose conn. elbow, 1/4" NPT - polypropylene (3 req'd)	44-1605				
33	Motor- TEFC, 230/460/3/50-60 - 1725 RPM 3/4" HP 66-1030 1 HP 66-1031 1 1/2 HP 66-1032 - TEFC, 115/230/1/60 - 1725 RPM 1 HP 66-1043	select as required				
33A	Motor drip cover ass'y. (optional) - Motors with steel fan covers (1 & 1 1/2 HP) (2, 3, 5, 7 1/2 HP) - Motors with plastic fan covers (2 HP) (3, 5, 7 1/2 HP)	66-1120 66-1018 1 66-7005 66-7006				
34	Set collar - CPVC (2 req'd) Set screw 1/4"-20 x 1/4" long - titanium, std. (8 req'd) - Hastelloy C	44-1621 11-0476 11-0681				
35	Bushing - CPVC Set screw, 1/4"-20 x 1/4" long - titanium, std. (4 req'd) - Hastelloy C	44-1013B 11-0476 11-0681				
36	'O'-ring - EPDM (standard) - Viton	22-0605 22-0604				

F.O.B. Northbrook, Illinois

Terms: Net 30 Days

Minimum order \$25.00

SERFILCO[®], LTD.

2900 MacArthur Blvd. 847-509-2900
Northbrook, IL 60062-2005 U.S.A. 800-323-5431
Email: sales@serfilco.com FAX: 847-559-1995
www.serfilco.com

WESTERN
310-532-0801
FAX: 310-532-0866