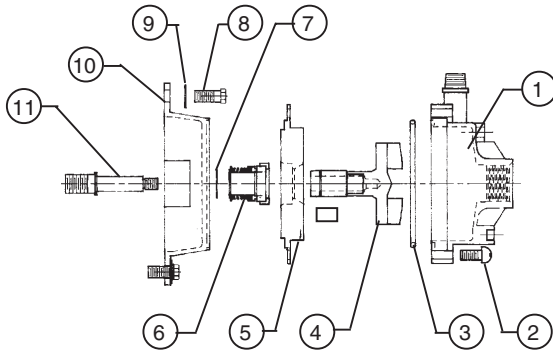




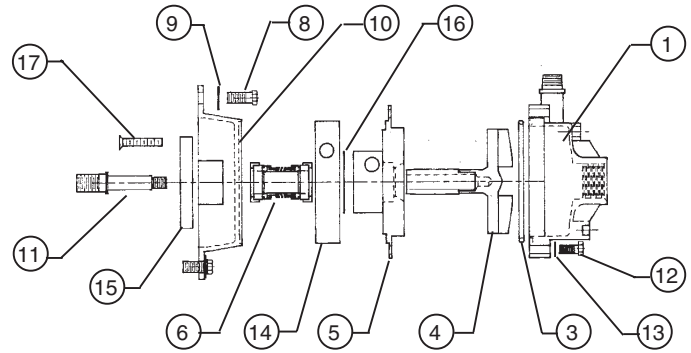
SERIES 'HC' HORIZONTAL PUMP

PARTS LIST
P-985D
JUNE 1999

Refer to Bulletin P-203, Operation and Service
Guide O-2500 and Master Price List F-800.



SINGLE MECHANICAL SEAL



DOUBLE MECHANICAL SEAL

ITEM	DESCRIPTION	SINGLE SEAL		DOUBLE SEAL	
		CPVC	PVDF	CPVC	PVDF
		HC1 x 3/4CK	HC1 X 3/4K	HC1 x 3/4CK	HC1 x 3/4K
PART NUMBERS					
1	Suction casing - CPVC - PVDF	44-4316 1 -	- 44-4363	44-4316 1 -	- 44-4363
2	Hex head bolt, 1/4"-20 x 2" long - stainless steel	11-0324	11-0324	-	-
3*	"O"-ring - EPDM, Standard (white dot) - Viton, Optional (yellow dot)	22-0586 22-0585	22-0586 22-0585	22-0586 22-0585	22-0586 22-0585
4*	Impeller assembly ** 1/3 HP 3/4 HP	44-7000 44-7001	44-7108 1 44-7107 1	44-7002 44-7003	44-7106 1 44-7105 1
5	Support casing **	44-7007	44-7112 1	44-7008	44-7101 1
6*	Mechanical seal ** - EPDM, carbon ceramic (white dot) - Viton, carbon silica free ceramic (yellow dot) - EPDM silicon carbide - Viton silicon carbide	L(M1) 55-0409 V(M2) 55-0408 L(M8) 55-0520 V(M8) 55-0518		L(M1 x M1) 55-0424 V(M2 x M1) 55-0421 L(M8 x M1) 55-0521 V(M8 x M1) 55-0519	
7*	Mechanical seal retaining clip ** - stainless steel	44-7024	44-7024	-	-
8	Hex bolt, 3/8"-16 x 3/4" long - stainless steel	11-0371	11-0371	11-0371	11-0371
9	Flat washer, 3/8" size - stainless steel	11-0126	11-0126	11-0126	11-0126
10	Motor connecting bracket - polyester	44-4032	44-4032	44-4032	44-4032
11	Shaft - stainless steel For 1/3 HP pump For 3/4 HP pump	44-7012 44-7013	44-7012 44-7013	44-7014 44-7015	44-7014 44-7015
12	Hex head bolt, 1/4"-20 x 2 1/2" long - stainless steel	-	-	11-2094	11-2094
13	Flat washer, 1/4" size - stainless steel	-	-	11-0121	11-0121
14	Adapter ring - CPVC	-	-	44-7110	44-7110
15	Mechanical seal backplate ** - PVC	-	-	44-7011	44-7011
16*	"O"-ring - EPDM	-	-	22-0813	22-0813
17	Flat head bolt, 1/4"-20 x 2" long - stainless steel	-	-	11-0325	11-0325
The following items are not illustrated.					
18	Water flush nipple, 1/4" NPT x 2" long - CPVC	-	-	33-0189	33-0189
19	Tube fitting, 1/4" NPT - polypropylene	-	-	33-1343	33-1343
20	Motor, TEFC, 3450 RPM, w/feet 1/3 HP, 115/208-230/1/50-60 1/3 HP, 208-230/460/3/50-60 3/4 HP, 115/208-230/1/50-60 3/4 HP, 208-230/460/3/50-60	66-1044F 66-1045F 66-1047F 66-1048F	66-1044F 66-1045F 66-1047F 66-1048F	66-1044F 66-1045F 66-1047F 66-1048F	66-1044F 66-1045F 66-1047F 66-1048F

* Recommended spare parts.

** PVDF pumps manufactured prior to May 15, 1993 use a
3/4" diameter mechanical seal. See page 2.

Repair Pac (for pumps built after 5-15-93)
These parts will be preassembled, ready for pump installation.

Single Mechanical Seal
(Includes items #4, 5, 6, & 7)

Impeller	Mechanical Seal	Repair-Pac No.	Price Code Numbers	
			CPVC	PVDF
1	L(M1)	1 - L(M1)	44-7492	44-7496
2		2 - L(M1)	44-7493	44-7497
1	V(M2)	1 - V(M2)	44-7494	44-7498
2		2 - V(M2)	44-7495	44-7499
1	L(M8)	1 - L(M8)	44-7610	44-7614
2		2 - L(M8)	44-7611	44-7615
1	V(M8)	1 - V(M8)	44-7612	44-7616
2		2 - V(M8)	44-7613	44-7617

Double Mechanical Seal
(Includes items #4, 5, 6, 15, 16 & 17)

Impeller	Mechanical Seal	Repair-Pac No.	Price Code Numbers	
			CPVC	PVDF
1	L(M1x M1)	1 - L(M1 x M1)	44-7500	44-7504
2		2 - L(M1 x M1)	44-7501	44-7505
1	V(M2 x M1)	1 - V(M2 x M1)	44-7502	44-7506
2		2 - V(M2 x M1)	44-7503	44-7507
1	L(M8 x M1)	1 - L(M8 x M1)	44-7618	44-7622
2		2 - L(M8 x M1)	44-7619	44-7623
1	V(M8 x M1)	1 - V(M8 x M1)	44-7620	44-7624
2		2 - V(M8 x M1)	44-7621	44-7625

****PVDF Pumps built before May 15th, 1993**

ITEM	DESCRIPTION	SINGLE SEAL	DOUBLE SEAL
		PVDF	PVDF
		HC1 X 3/4K	HC1 x 3/4K
		PART NUMBERS	
4*	Impeller assembly 1/3 HP 3/4 HP	44-7108 44-7107	44-7106 44-7105
5	Support casing	44-7112	44-7101 1
6*	Mechanical seal - EPDM, carbon ceramic (white dot) - Viton, carbon ceramic (yellow dot)	(M1) 55-0407 (M2) 55-0400	(M1 x M1) 55-0423 (M2 x M1) 55-0420
7*	Mechanical seal retaining clip - stn. steel	44-7016	-
15	Mechanical seal backplate - PVC	-	44-7011 1

* Recommended spare parts.



SERFILCO® LTD.

2900 MacArthur Blvd. 847-509-2900
 Northbrook, IL 60062-2005 U.S.A. 800-323-5431
 e-mail: sales@serfilco.com FAX: 847-559-1995
 www.serfilco.com

WESTERN

13721 Alma Avenue 310-532-0801
 Gardena, CA 90249-2513 FAX: 310-532-0866