



SERFILCO®

Chemical resistant pumps & filters engineered for industry

BULLETIN
P-201_W
06/22/20
Page 1 of 2

SERIES 'HE' | HORIZONTAL PUMPS

175 U.S. GPM or 140 ft. TDH @ 60 Hz

EPDM or FKM elastomers

Motor (1.0-7.5 HP)
NEMA JM

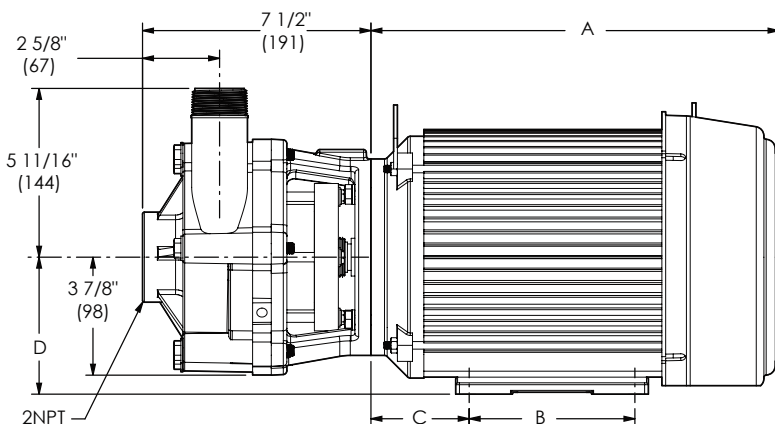
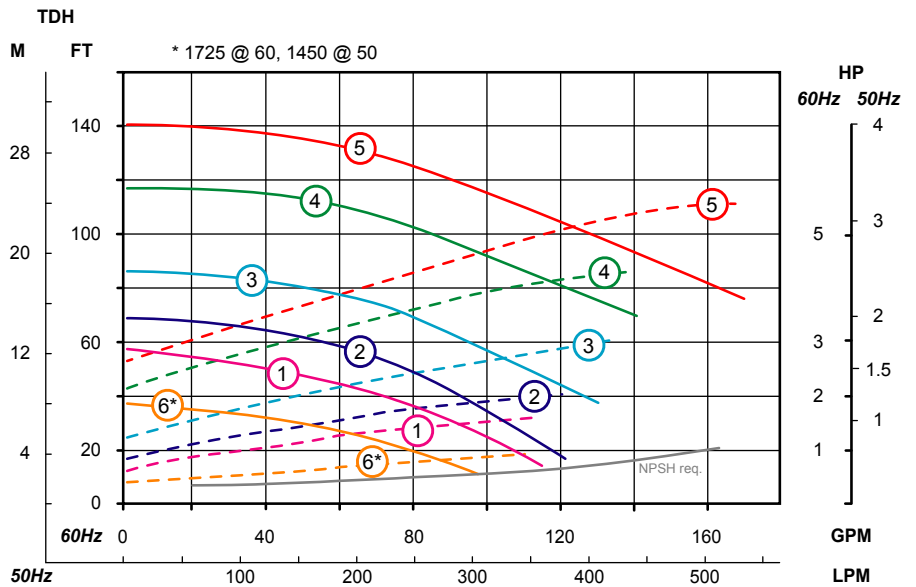
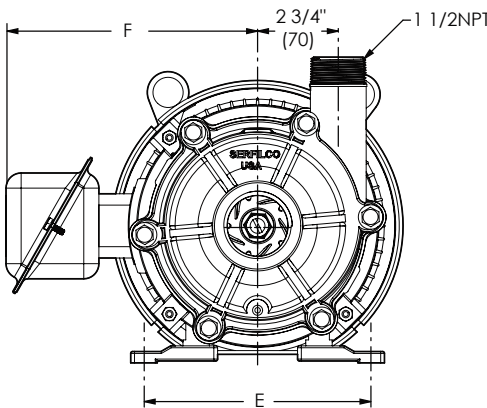
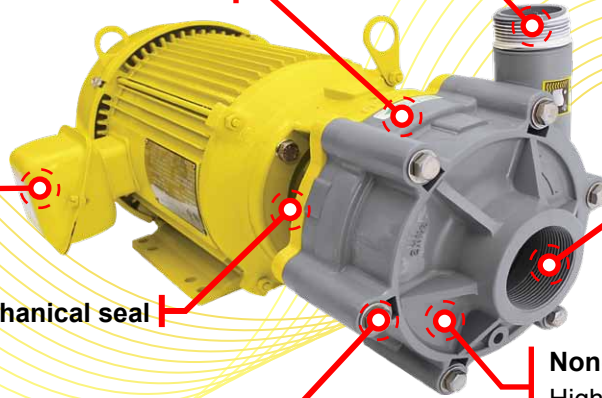
Centrifugal
Quiet & vibration free

Choice of single or double mechanical seal

Non-metallic solution contact

High-temp PP, CPVC, PVDF or ECTFE
(See chemical resistance guide T-102)

Pump casing indexes to six directions of discharge



Voltage	HP (kW)	Dimensions: in. (mm)					
		A	B	C	D	E	F
208-230/460/3/60 1725 rpm	1.0 (.75)	9.19 (233)	4 (102)	2.56 (65)	3.5 (89)	5.5 (140)	6.25 (219)
208-230/460/3/60 3450 rpm	1.5 (1.1)	10.25 (260)	5 (127)				
208-230/460/3/60 3450 rpm	2.0 (1.5)	11.00 (279)	5.5 (140)	2.75 (70)	4.5 (115)	7.5 (160)	6.13 (156)
	3.0 (2.2)	13.25 (337)					7.5 (160)
	5.0 (3.7) 7.5 (5.5)						

Dimensions are for reference only.
* Motor dimensions will vary with motor manufacturer.



Series 'HE' | Horizontal Pumps

Order Information

For standard pump-motor combination, select model from table below.

Select flow curve number providing the desired performance. Then match to Model # listed below.

Standard models include: Silicon carbide single or double mechanical seal, EPDM elastomers (CPVC, PP or ECTFE) & FKM (PVDF).

Motor HP is non-overloading at full capacity with 1.1 specific gravity.

Standard - Single Mechanical Seal - 60 Hz Models								
Flow Curve	Model #	PCN	Model #	PCN	Model #	PCN	Model #	PCN
	CPVC/EPDM		PP/EPDM		PVDF/FKM		ECTFE/EPDM	
1	H2x1-1/2CE1L(M8)-D1.5	42-0110-A	H2x1-1/2PE1L(M8)-D1.5	42-0410-A	H2x1-1/2KE1V(M8)-D1.5	42-0318-A	H2x1-1/2HE1L(M8)-D1.5	42-0610-A
2	H2x1-1/2CE2L(M8)-D2.0	42-0120-B	H2x1-1/2PE2L(M8)-D2.0	42-0420-B	H2x1-1/2KE2V(M8)-D2.0	42-0328-B	H2x1-1/2HE2L(M8)-D2.0	42-0620-B
3	H2x1-1/2CE3L(M8)-D3.0	42-0130-C	H2x1-1/2PE3L(M8)-D3.0	42-0430-C	H2x1-1/2KE3V(M8)-D3.0	42-0338-C	H2x1-1/2HE3L(M8)-D3.0	42-0630-C
4	H2x1-1/2CE4L(M8)-D5.0	42-0140-D	H2x1-1/2PE4L(M8)-D5.0	42-0440-D	H2x1-1/2KE4V(M8)-D5.0	42-0348-D	H2x1-1/2HE4L(M8)-D5.0	42-0640-D
5	H2x1-1/2CE5L(M8)-D7.5	42-0150-E	H2x1-1/2PE5L(M8)-D7.5	42-0450-E	H2x1-1/2KE5V(M8)-D7.5	42-0358-E	H2x1-1/2HE5L(M8)-D7.5	42-0650-E
6	H2x1-1/2CE6L(M8)-H1.0	42-0160-F	H2x1-1/2PE6L(M8)-H1.0	42-0460-F	H2x1-1/2KE6V(M8)-H1.0	42-0368-F	H2x1-1/2HE6L(M8)-H1.0	42-0660-F

Standard - Double Mechanical Seal - 60 Hz Models								
Flow Curve	Model #	PCN	Model #	PCN	Model #	PCN	Model #	PCN
	CPVC/EPDM		PP/EPDM		PVDF/FKM		ECTFE/EPDM	
1	H2x1-1/2CE1L(M8xM1)-D1.5	42-0114-A	H2x1-1/2PE1L(M8xM1)-D1.5	42-0414-A	H2x1-1/2KE1V(M8xM1)-D1.5	42-0319-A	H2x1-1/2HE1L(M8xM1)-D1.5	42-0614-A
2	H2x1-1/2CE2L(M8xM1)-D2.0	42-0124-B	H2x1-1/2PE2L(M8xM1)-D2.0	42-0424-B	H2x1-1/2KE2V(M8xM1)-D2.0	42-0329-B	H2x1-1/2HE2L(M8xM1)-D2.0	42-0624-B
3	H2x1-1/2CE3L(M8xM1)-D3.0	42-0134-C	H2x1-1/2PE3L(M8xM1)-D3.0	42-0434-C	H2x1-1/2KE3V(M8xM1)-D3.0	42-0339-C	H2x1-1/2HE3L(M8xM1)-D3.0	42-0634-C
4	H2x1-1/2CE4L(M8xM1)-D5.0	42-0144-D	H2x1-1/2PE4L(M8xM1)-D5.0	42-0444-D	H2x1-1/2KE4V(M8xM1)-D5.0	42-0349-D	H2x1-1/2HE4L(M8xM1)-D5.0	42-0644-D
5	H2x1-1/2CE5L(M8xM1)-D7.5	42-0154-E	H2x1-1/2PE5L(M8xM1)-D7.5	42-0454-E	H2x1-1/2KE5V(M8xM1)-D7.5	42-0359-E	H2x1-1/2HE5L(M8xM1)-D7.5	42-0654-E
6	H2x1-1/2CE6L(M8xM1)-H1.0	42-0164-F	H2x1-1/2PE6L(M8xM1)-H1.0	42-0464-F	H2x1-1/2KE6V(M8xM1)-H1.0	42-0369-F	H2x1-1/2HE6L(M8xM1)-H1.0	42-0664-F

*For custom pump-motor combinations or 50 Hz models, please consult Serfilco sales department. (800) 323-5431

*See Technical Bulletin T-P201

Options

Description	ADD TO PCN
Flange connections ANSI 150 lbs. (ASA 150) 2"x1-1/2"	'-FL'
Long Coupled	'-LC'

Long coupled includes: cast iron pedestal, steel channel, flexible coupling and guard.